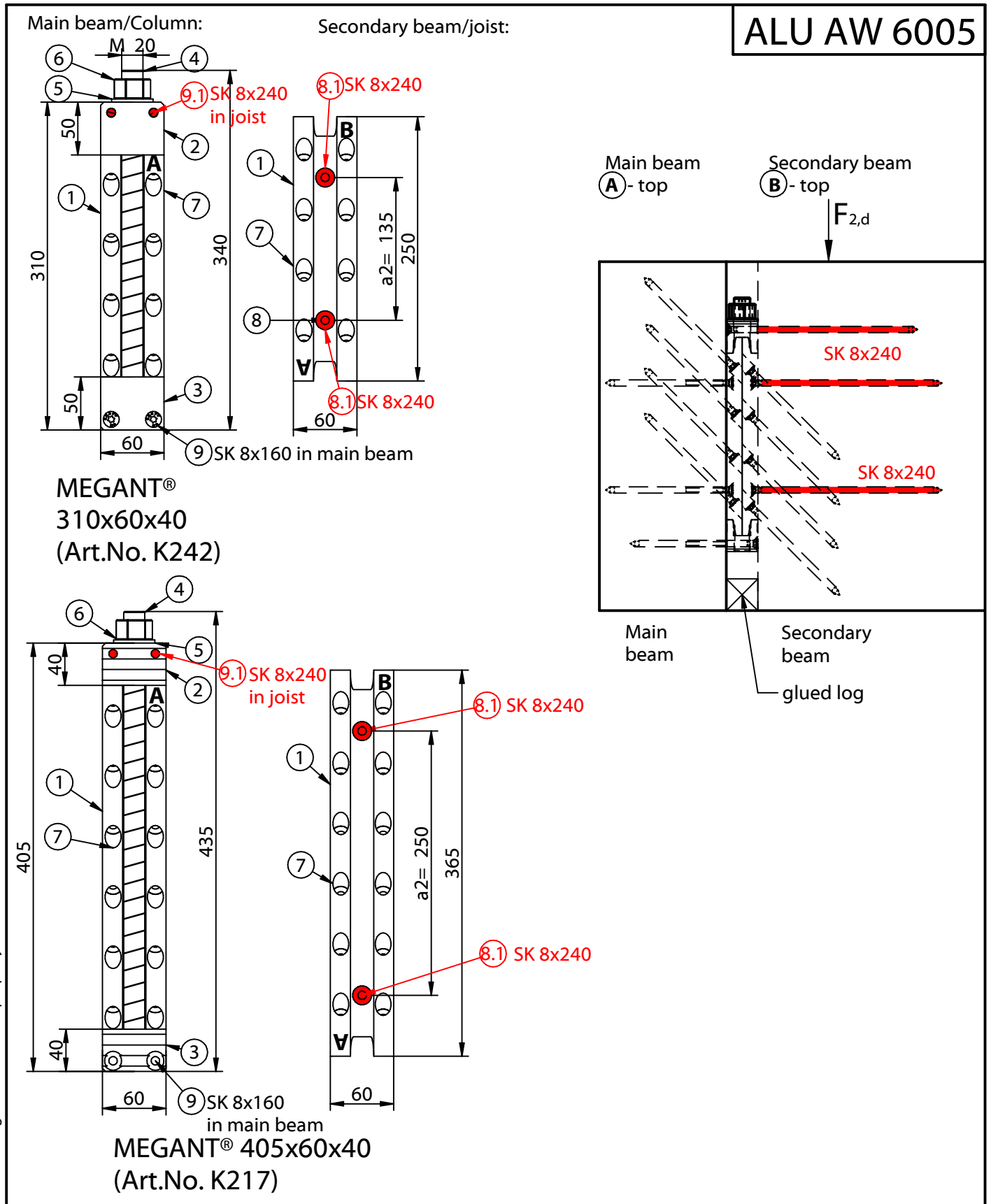


Mounting instructions

MEGANT® 60

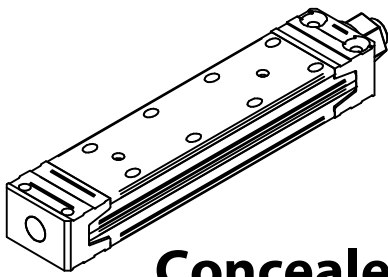
Regular sizes overview

Concealed installation



This drawing is the exclusive property of KNAPP GmbH

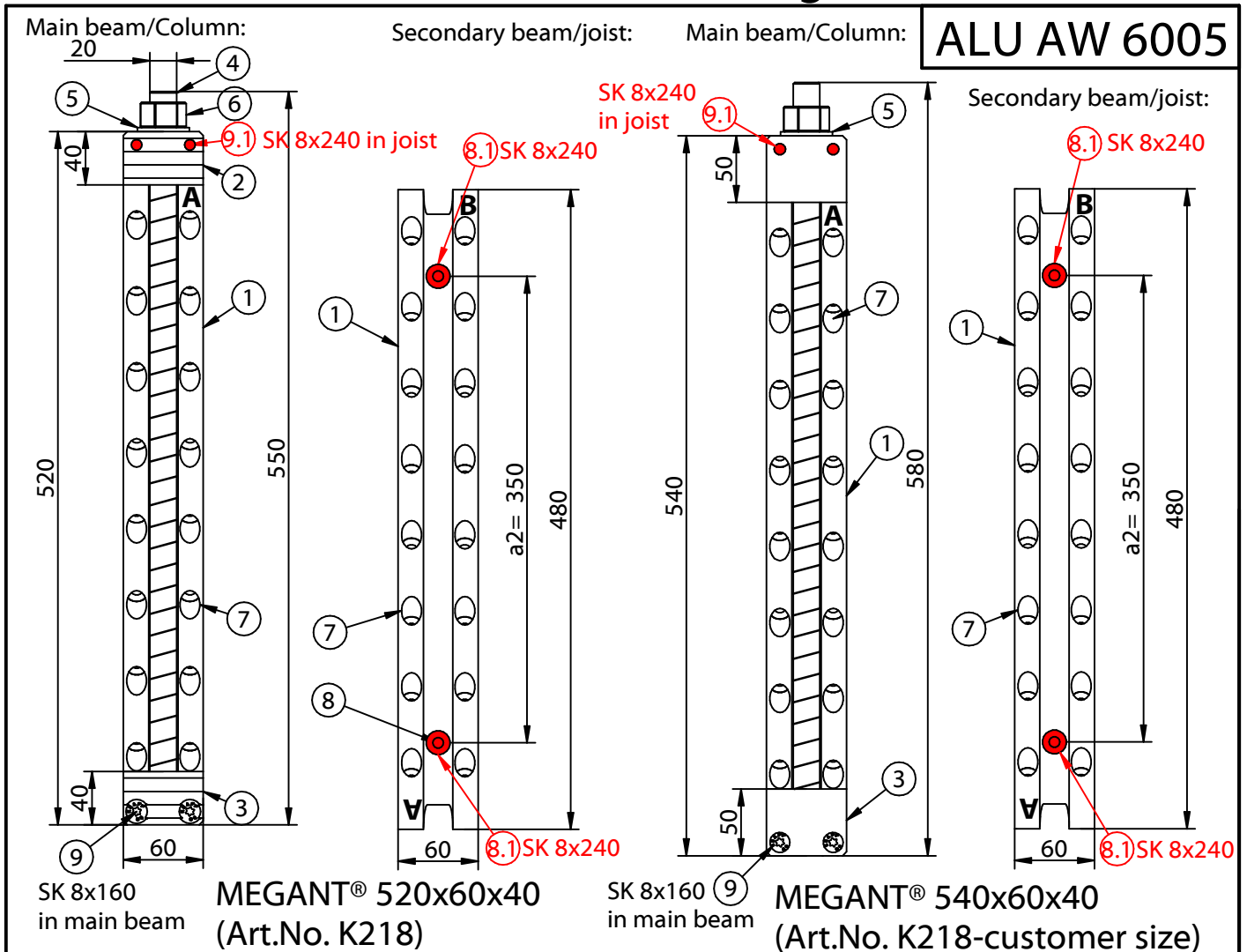
© Knapp GmbH. All measures in mm - Errors excepted. VERSION 03 30.08.2018



Mounting instructions MEGANT® 60

Concealed installation

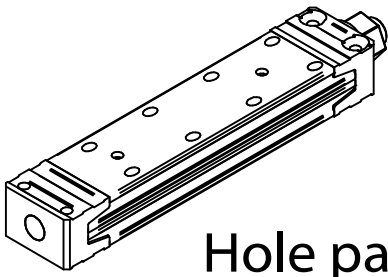
Regular sizes overview



Pos No.	Art. No.	part description	MEGANT® sizes (ALU AW 6005)			
			310x60x40	405x60x40	520x60x40	540x60x40
			Art. No. K242	Art. No. K217	Art. No. K218	Art. No. K218 So
1	K200-K202	connector plates	250x60x20	365x60x20	480x60x20	480x60x20
2	K207	clamping jaws top	50x40x60; D20	40x40x60; D20	40x40x60; D20	50x40x60; D20
3	K208	clamping jaws bottom	50x40x60; M20	40x40x60; M20	40x40x60; D20	50x40x60; D20
4	Z924/Length	threaded rod	1xM20x340	1xM20x435	1xM20x550	1xM20x580
5	Z657	washer	1xM20	1xM20	1xM20	1xM20
6	Z656	nut	1xM20	1xM20	1xM20	1xM20
7	Z581	inclined screws	16x SK8x160	24x SK8x160	32x SK8x160	32x SK8x160
8	Z581	horizontal screws	2x SK8x160	2x SK8x160	2x SK8x160	2x SK8x160
8.1	Z672	horizontal screws	2x SK8x240	2x SK8x240	2x SK8x240	2x SK8x240
9	Z581	screws clamping jaw	2x SK8x160	2x SK8x160	2x SK8x160	2x SK8x160
9.1	Z672	screws clamping jaw	2x SK8x240	2x SK8x240	2x SK8x240	2x SK8x240

This drawing is the exclusive property of KNAPP GmbH

© Knapp GmbH. All measures in mm - Errors excepted. VERSION 03 30.08.2018

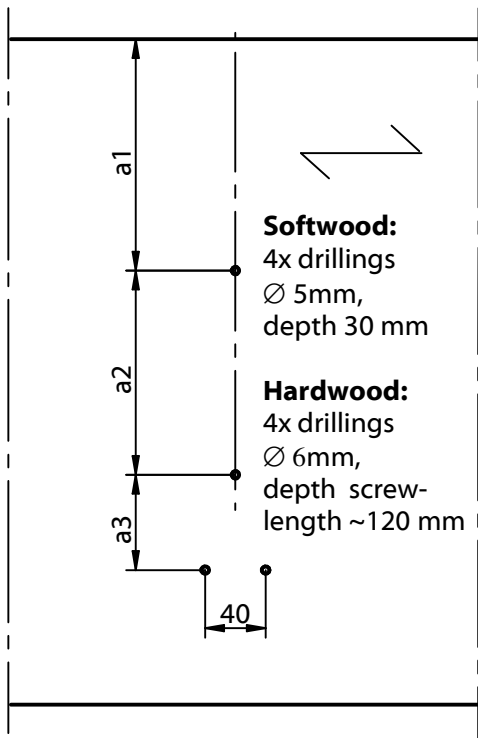


Mounting instructions MEGANT® 60

Hole pattern for concealed central installation

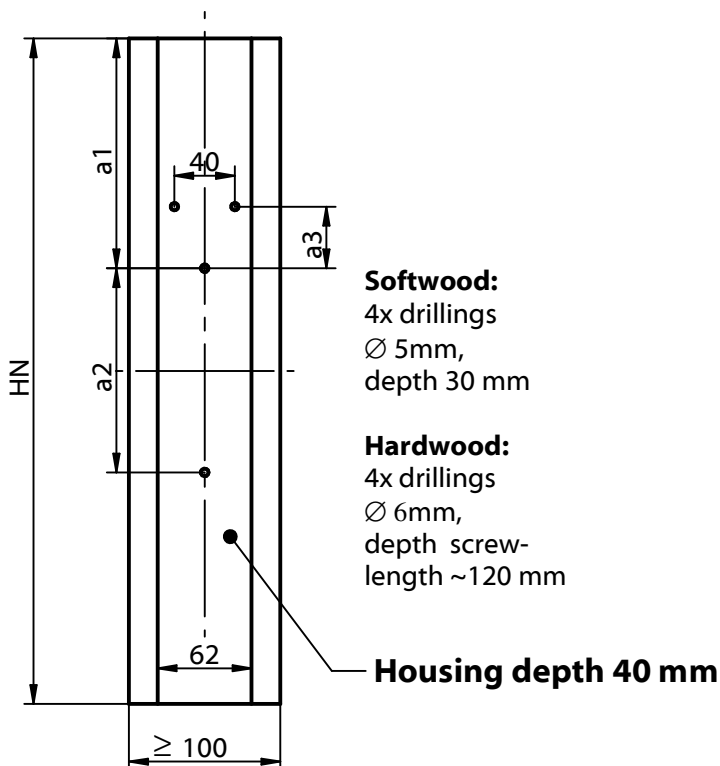
ALU AW 6005

Pre-drill layout in main beam !



Pre-drilling concealed installation of connector				
Secondary beam	Pre-drill spacing a1 with respect to secondary beam member height H _N [mm]			
Height	MEGANT®	MEGANT®	MEGANT®	MEGANT®
H _N [mm]	310x60	405x60	520x60	540x60
400	133			
440	153			
480	173			
520	193	135		
560	213	155		
600	233	175		
640		195	145	145
680		215	165	165
700		225	175	175
720		235	185	185
760		255	205	205
800		275	225	225
840			245	245
880			265	265
920			285	285
960			305	305
1000			325	325

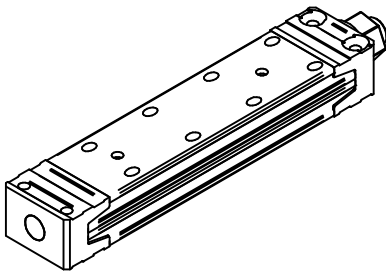
Drilling positions for centered mounting in secondary beam !



Distance	MEGANT®	MEGANT®	MEGANT®	MEGANT®
	310x60	405x60	520x60	540x60
a2 [mm]	135	250	350	350
a3 [mm]	78	68	75	85

This drawing is the exclusive property of KNAPP GmbH

© Knapp GmbH. All measures in mm - Errors excepted. VERSION 03 30.08.2018



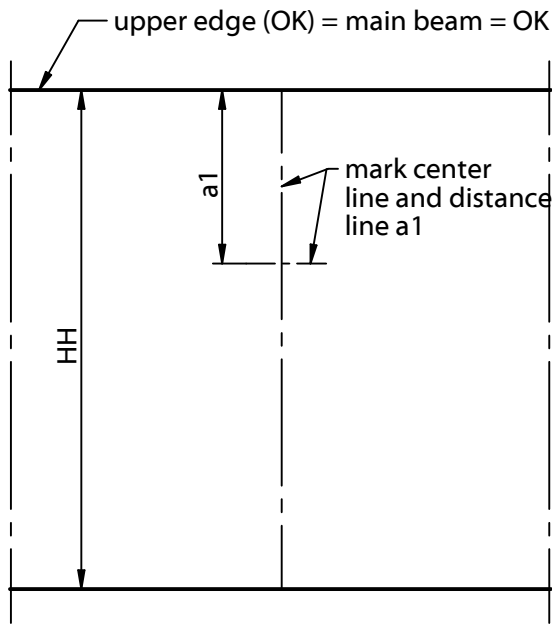
Mounting instructions

MEGANT® 60

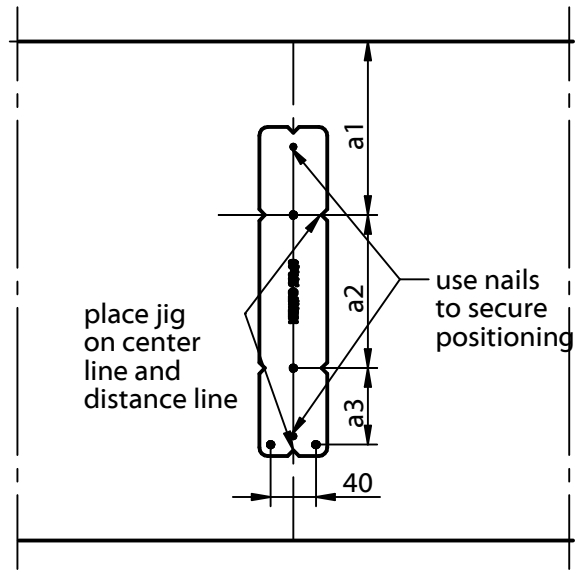
Main beam pre-drilling with jig

ALU AW 6005

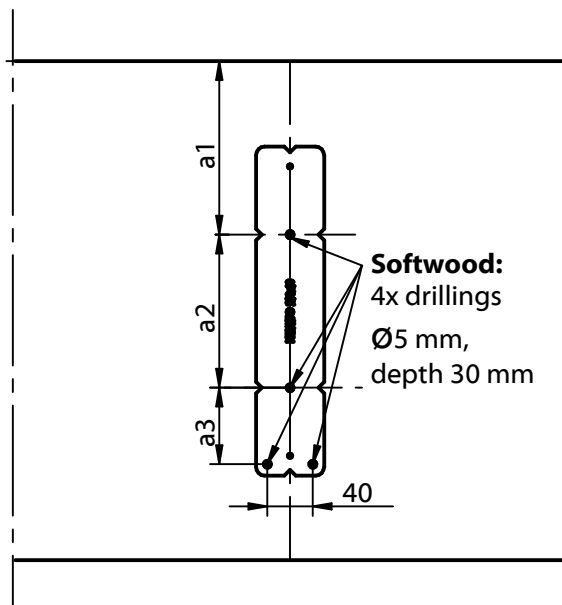
1.) Marking

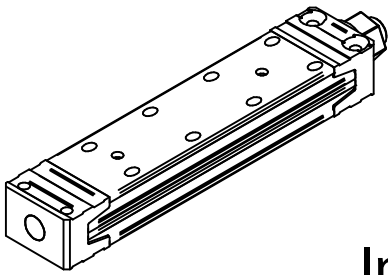


2.) Place jig



3.) Pre-drill



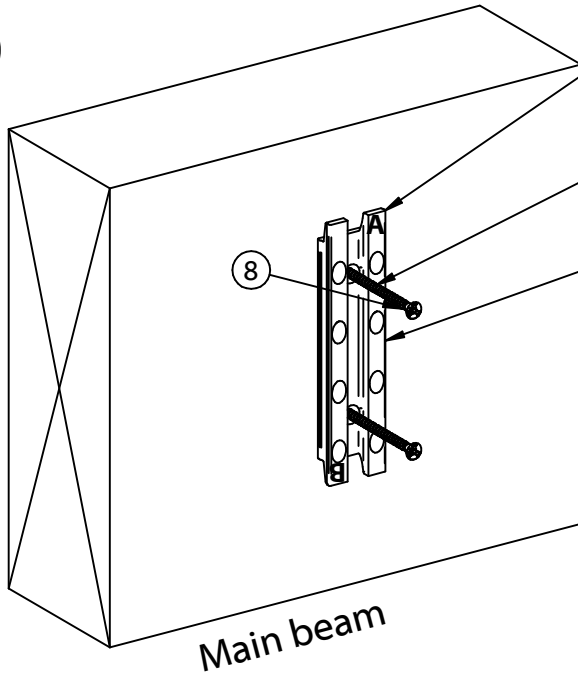


Mounting instructions MEGANT® 60

Install MEGANT concealed on main beam

ALU AW 6005

1.)



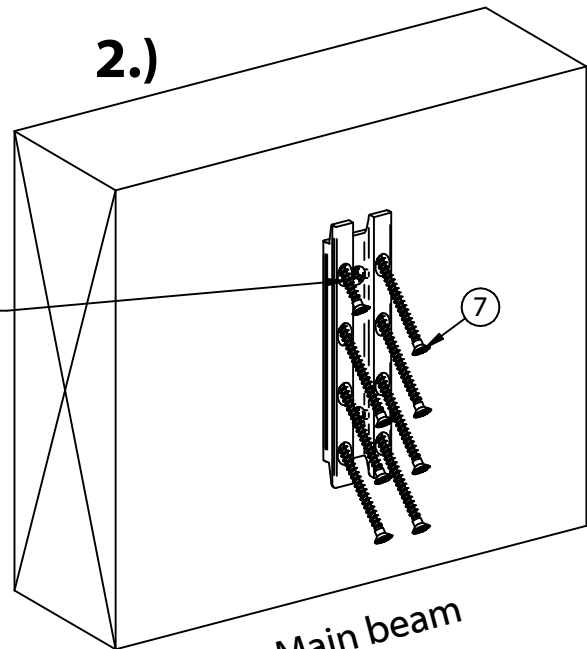
Ⓐ plate marks up for main beam install

place horizontal screws ⑧

connector plate ①

Main beam

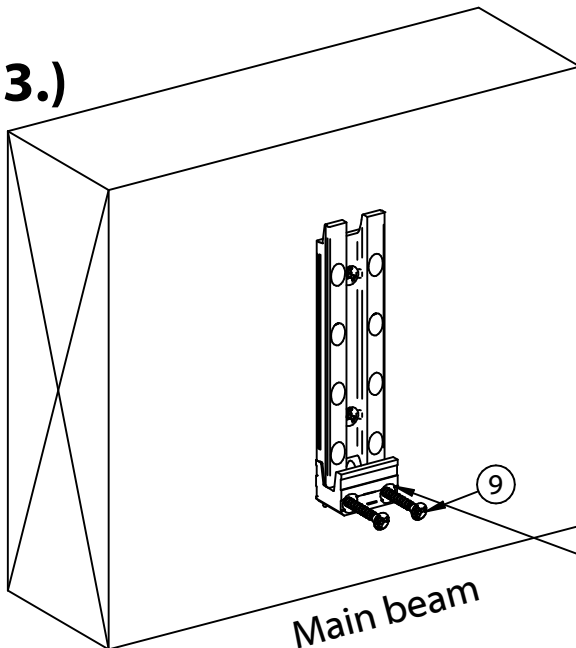
2.)



Inclined screws ⑦ in connector plate ②
Start screwing from top down.
Use max. 20Nm torque setting.
Mount connector plate firmly

Main beam

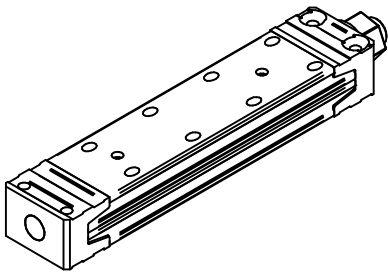
3.)



For **hardwood** main beam
SK 8x120 screws are usually used.

Clamping jaws ② mounted at bottom.
Use clamping jaw screws ⑨ for installation

Main beam



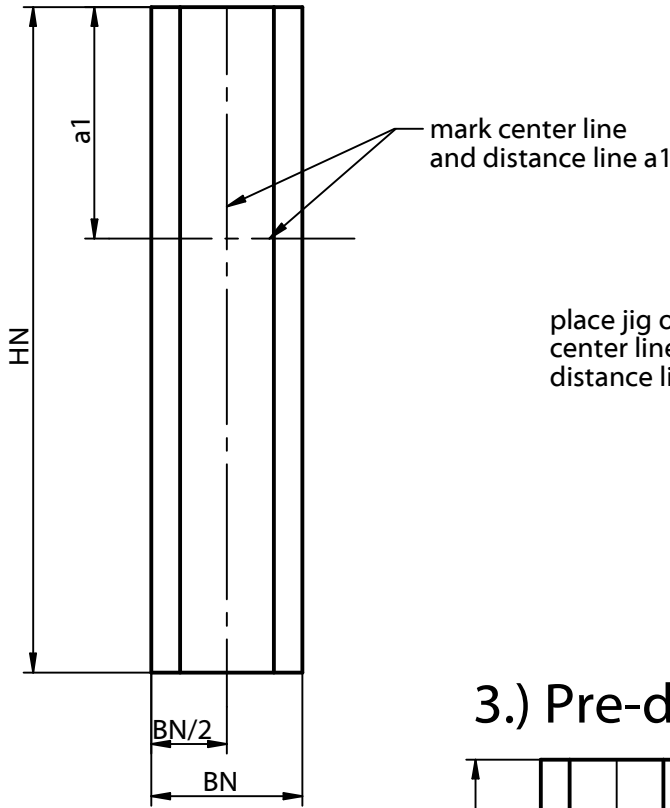
Mounting instructions

MEGANT® 60

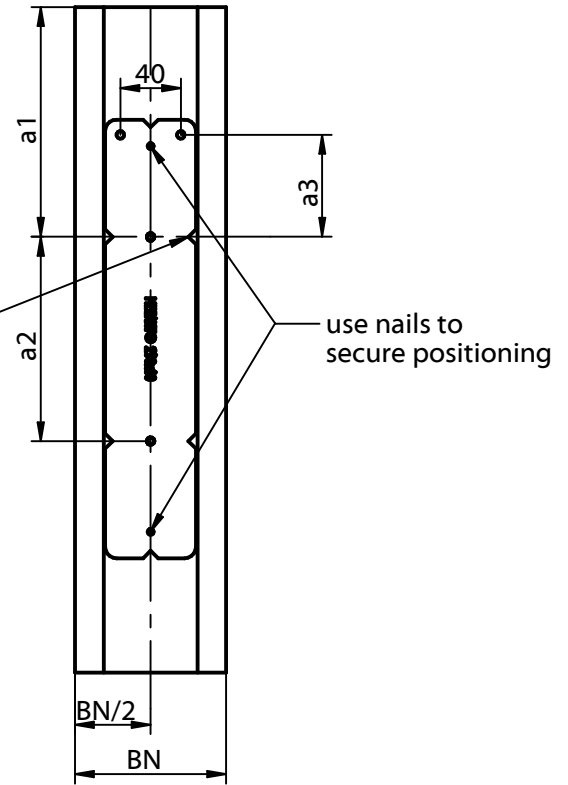
Secondary beam pre-drilling with jig

ALU AW 6005

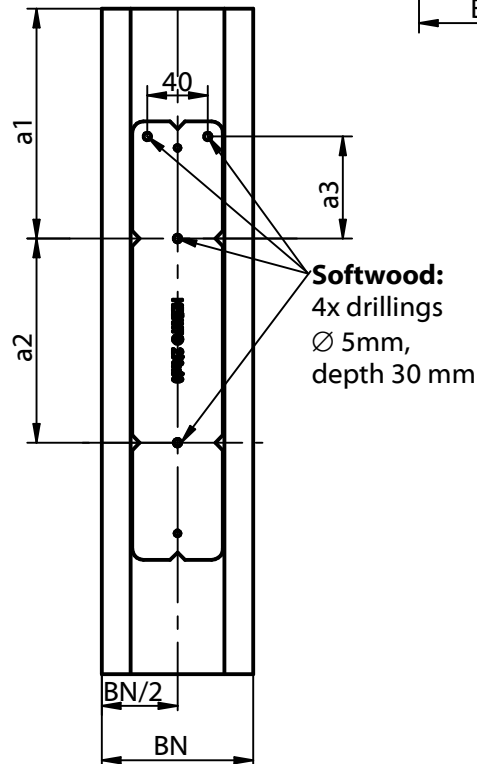
1.) Marking

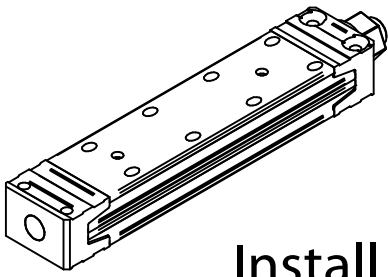


2.) Place jig



3.) Pre-drill



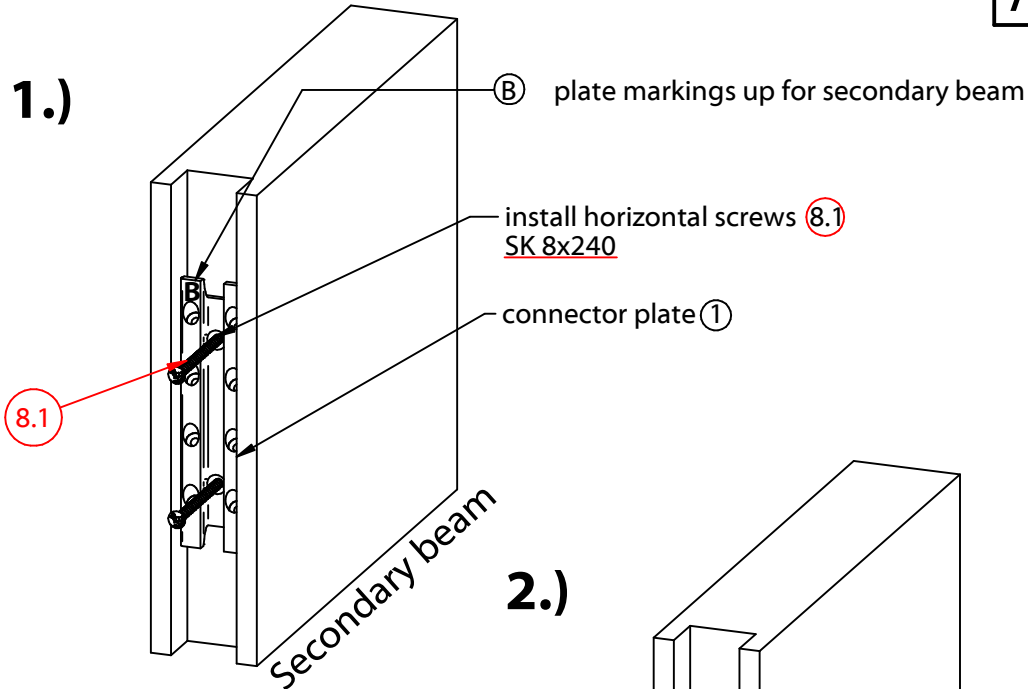


Mounting instructions MEGANT® 60

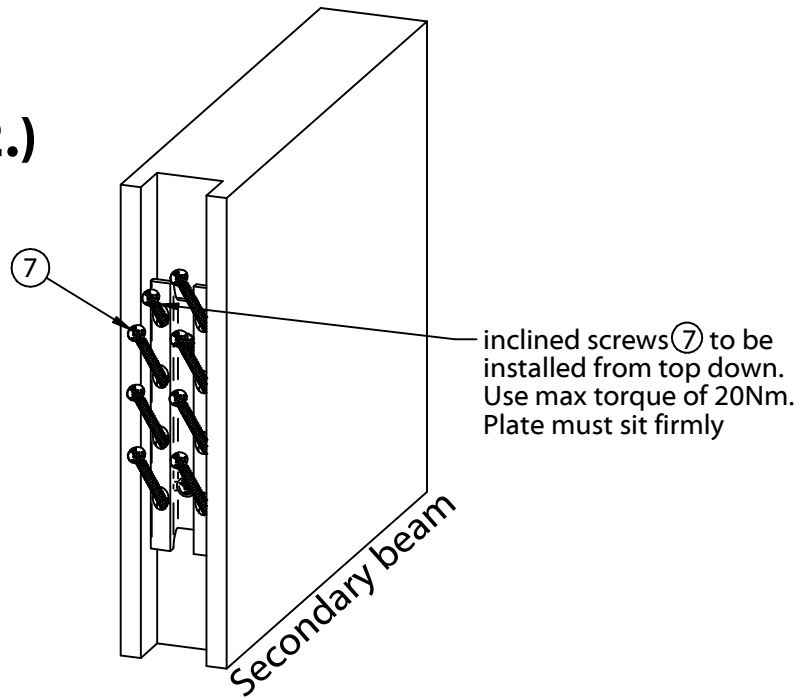
Install MEGANT concealed on secondary beam

ALU AW 6005

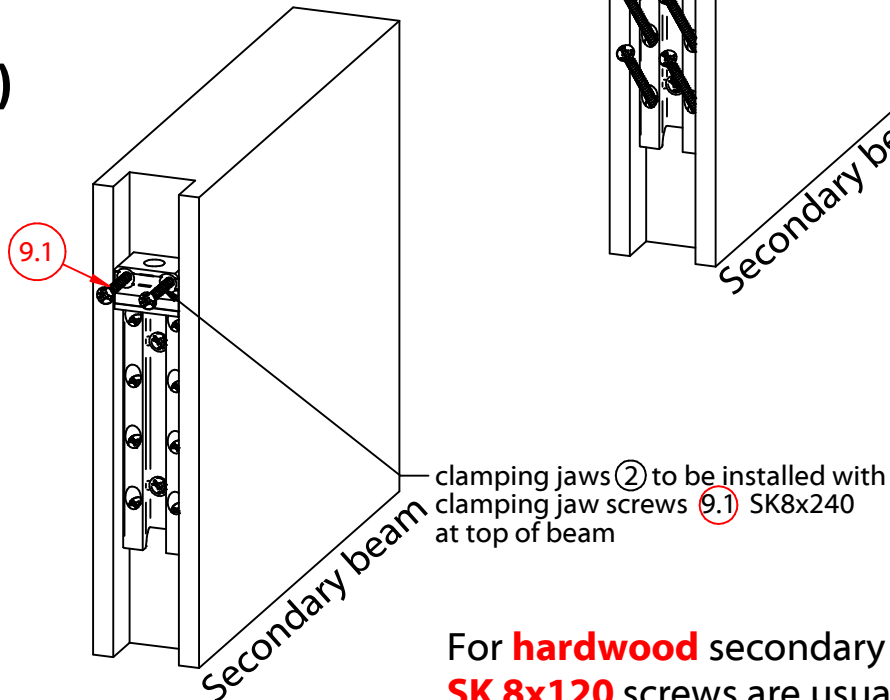
1.)



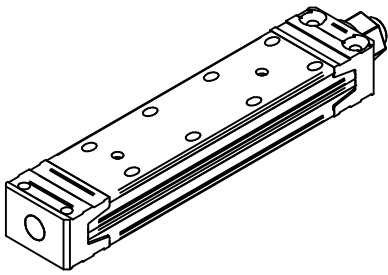
2.)



3.)



For **hardwood** secondary beam
SK 8x120 screws are usually used.



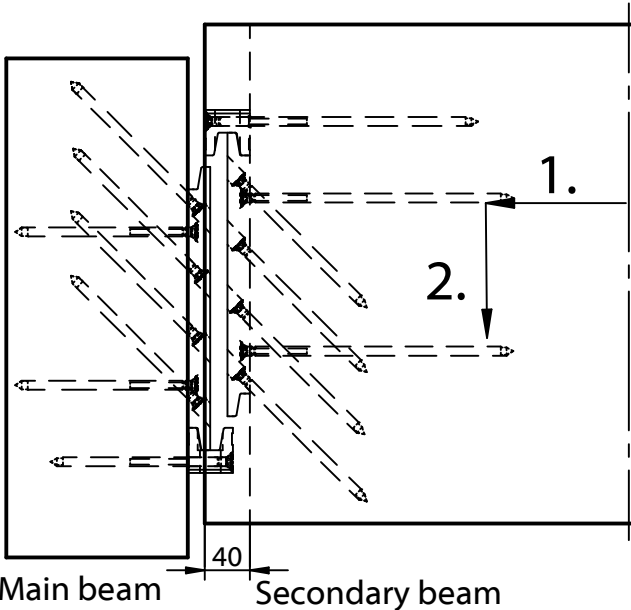
Mounting instructions

MEGANT® 60

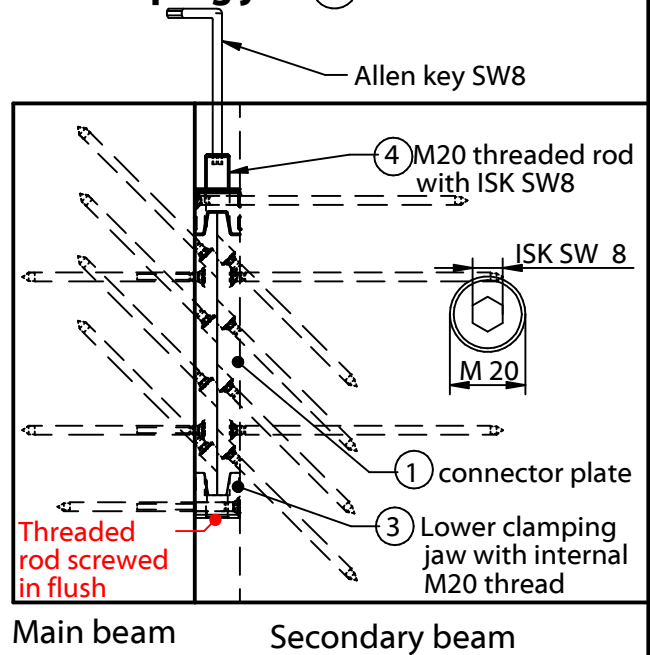
Concealed installation

ALU AW 6005

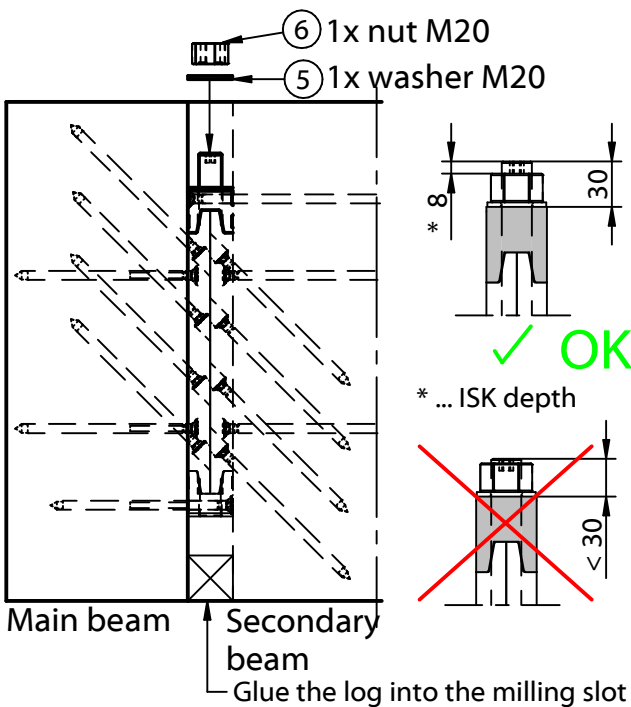
1. Install secondary beam



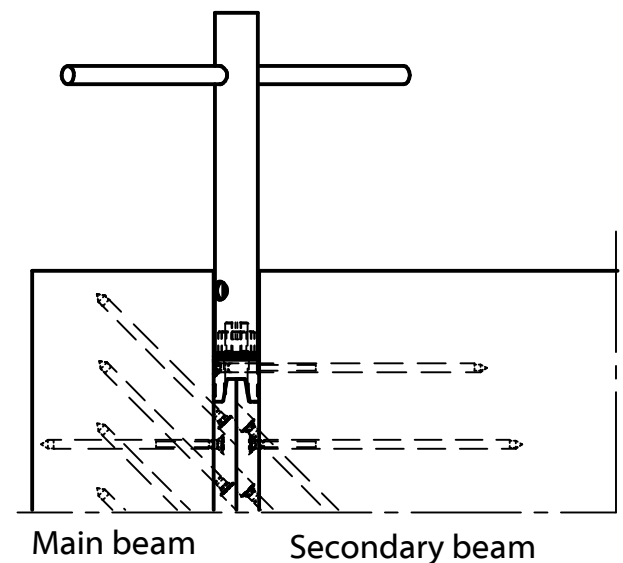
2. Install M20 threaded rod ④ in lower clamping jaw ③ flush



3. Install clamping jaw, washer and M20 nut



4. Tighten M20 nut with SW 30 wrench (40 Nm) !



This drawing is the exclusive property of KNAPP GmbH

© Knapp GmbH. All measures in mm - Errors excepted. VERSION 03 30.08.2018