



NEW
PRODUCT

DEKCLICK[®]

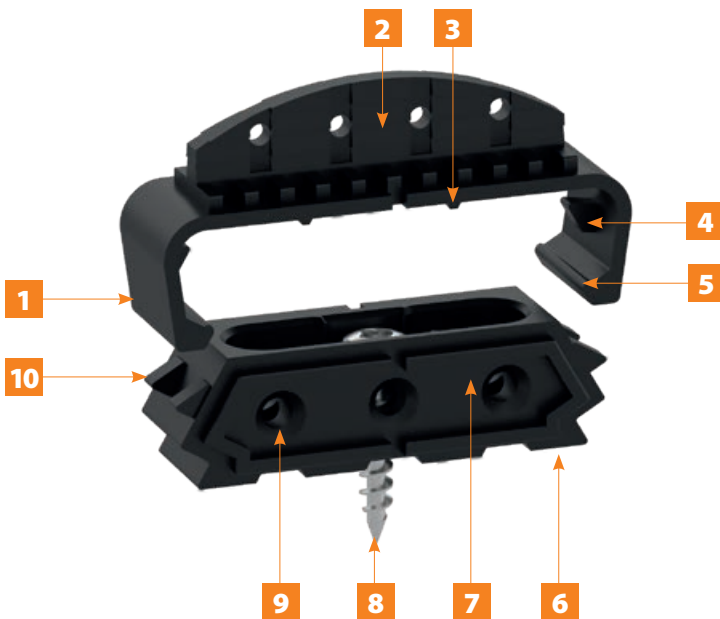
Clamp connector

Connecting Your Ideas ...

KNAPP[®]
connectors.com

DEKCLICK® clamp connector

For indoor and outdoor use - 3 versions, screw clamp, removable, and extra grip



- 1** DEKCLICK® clamp
- 2** Lamellar bar for gluing
- 3** Positioning lug
- 4** Stop pin for transverse fixation
- 5** Clamp hook with clip function
- 6** DEKCLICK® block
- 7** Block coupling profile
- 8** Fixing screw
- 9** Crosswise holes for screw connection
- 10** Stop and latching lugs

System advantages

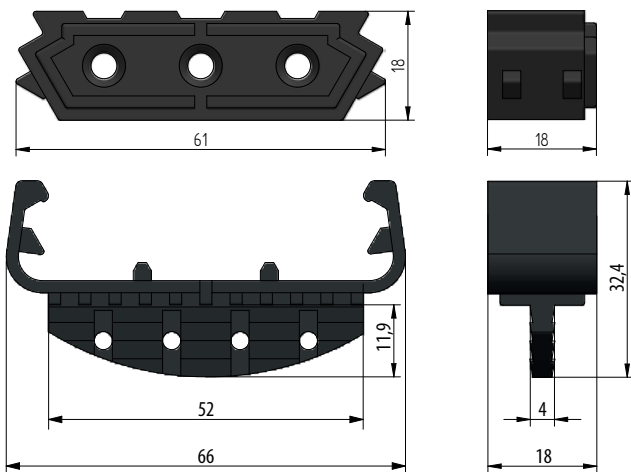
- | Quick clipping on - can be mounted vertically and horizontally
- | Prefabrication and tool-free assembly
- | Flexible joints design
- | Concealed connection
- | Variable assembly sequences
- | Precise positioning
- | Can be dismantled several times
- | Functional and versatile
- | To be screwed-on or glued



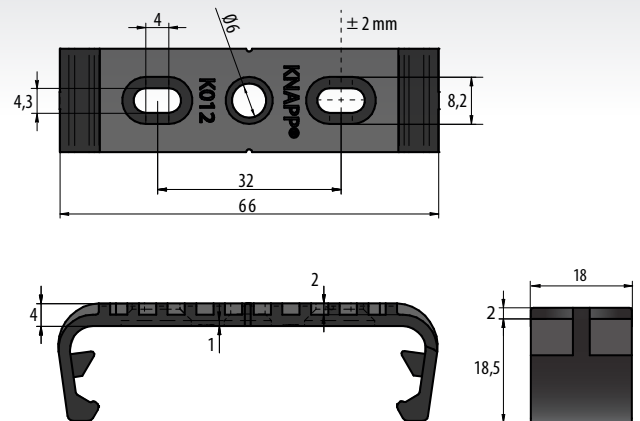
DEKCLICK® removable version, black colour ($F_{max} = 8$ kg)



Installation option: A square nut M6 inserted in the block and a counter nut on the opposite side can be used for fixing, held at a distance, e.g. with a threaded rod or a clamp.



DEKCLICK® screw clamp version $F_{max} = 8$ kg



Variant:

DEKCLICK® extra grip version, grey colour ($F_{max} = 20$ kg)

DEKCLICK® clamp connector

For indoor and outdoor use - 3 versions, screw clamp, removable, and extra grip

DEKCLICK® – Solution for elegant walls and ceilings



Acoustic ceilings

For invisible fastening, DEKCLICK® combines a block or a block rail milled from wood as a base with a clamp as a counterpart which is simply clipped on and locks securely in place in a two-steps process.



Wall cladding

DEKCLICK® block has both lateral and axial holes so that it meets a wide variety of screw connection requirements. With a centre screw connection in the axial direction, the connection is automatically aligned in the direction of alignment.



Furniture

The **screw clamp version** of DEKCLICK® is used for quick fastening. However, it offers additional processing possibilities. The clamps can be attached directly to the construction elements with a EURO screw or in the 32 mm raster.

Installation on a wooden block rail - Final width ± 60 mm



Acoustic ceilings

As an alternative to the DEKCLICK® blocks, it is possible to fix the clamp to a wooden milled block rail (milling cutter available on request).



Wall cladding and panelling

The milled block rail is screwed onto the load-bearing structure and placed in position. The clamps are easy and flexible to move along the length of the block rail



Decorative walls and furniture

or are perfectly fixable if necessary. Assembly with block rails is ideal for large surfaces.

Pairing of blocks, for easy assembly of several elements



The paired blocks are screwed together with $\varnothing 4$ mm CS-screws.

DEKCLICK® clamp connector

Application examples

The interior and exterior are important in terms of architecture design



Acoustic ceilings

With DEKCLICK®, acoustic ceilings, wall panelling and even furniture construction can be functional and attractive. Due to its variability DEKCLICK® offers countless connection options.

One click and the decorative element is invisibly and securely clipped onto the substructure. The processing is simple and can be prepared in the factory.



Wall cladding and panelling

The substructure is assembled on site. After that the blocks or block rails are fastened to it.

The clamps are clipped onto the blocks. The milled groove of the decorative rails, on which to fix the clamps, is filled with the adhesive KNAPP® PU+. Finally the decorative rails are clipped onto DEKCLICK® connector.

Once the adhesive has cured, the decorative element is firmly fixed. However, if necessary, it can easily be removed and replaced.



Decorative walls

The DEKCLICK® connector is also ideal for furniture and interior fittings, since it requires no tools, and the assembly is easy to disassemble. It is easy to manufacture pre-assembled furniture parts and to demount them with DEKCLICK®. In addition, the clamp connector is suited for quickly assembling of panels and wall coverings.

DEKCLICK® replaces the assembly rails and corner braces. It is weather-resistant and is an ideal solution when it comes to making modern and contemporary joints.

Acoustic ceiling



Acoustic ceiling, training room, Knapp GmbH (Austria) | Design in white glazed fir with DEKCLICK clamp connector and beam with MEGANT® connector.

Block fixing with spacer



Lamellar DEKLICK® installation with wooden block rail



1 Position the block and screw in place.



2 Clip the clamp on the block rail.



3 Mill a 4x12 mm groove and fill it with KNAPP® PU+ adhesive or apply the adhesive on the block rail. Fix the decorative moulding onto the block rail.

Lamellar DEKLICK® installation with wooden block



1 Position and fix the block onto the base with screw.



2 Clip the clamp onto the block.



3 Mill a 2-level groove and fill it with KNAPP® PU+ adhesive or apply the adhesive on the block rail. Clip the workpiece onto the clamp.

Safety instructions:

If needed, use additional reinforcements for ceilings or wall panels. Mind the general building regulations to apply for your project.

Installing DEKLICK® screw clamp directly to the wall



1 Position DEKLICK® screw clamp using the screw holes.

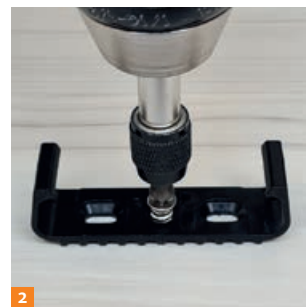


2 For fixing to wood-concrete or screw directly to the wall.

Mise en œuvre du clip à visser sur un panneau



1 Pre-drill a Ø 5 mm hole for the EURO screw.



2 Screw down.

Installing the screw clamp with fixed or adjustable positioning



1 Fasten with Ø 4 mm CS-screws.



2 Adjust ± 2 mm.

Screw clamp installation with block and block strip



DEKLICK® block (extra grip) with screw clamp.



Block rail with screw clamp.

DEKLICK® versions

DEKLICK® Block removable (black)

Art.-No. K010/S DEKLICK® block, black



DEKLICK® Block extra grip (grey)

Art.-No. K010/G DEKLICK® block, grey



DEKLICK® lamellar clamp removable (black)

Art.-No. K011/S DEKLICK® lamellar clamp black



DEKLICK® lamellar clamp extra grip (grey)

Art.-No. K011/G DEKLICK® lamellar clamp grey



DEKLICK® screw clamp (black)

Art.-No. K012/S DEKLICK® screw clamp black



DEKLICK® is available in single pieces or in packaging units of 250 and 500 pcs.

DEKLICK® accessories

Art.-No. Z950	A2 stainless steel screw RICON® 5x50 mm (other lengths available on our website)
Art.-No. Z409	A2 stainless steel screw 4.5x35 mm with drilling tip (also for Z-DECK, KOMBI and DEKLICK)
Art.-No. Z422	CS-screw 4x16 mm
Art.-No. Z510	EURO screw 6,3x10 mm
Art.-No. Z896	Square nut M6, galvanised
Art.-No. Z411	Torx bit T15
Art.-No. Z412	Torx bit T25
Art.-No. Z011	KNAPP® PU+ adhesive (polyurethane)
Art.-No. K658	Milling cutter DEKLICK®
Art.-No. Z893	DEKLICK® shank milling cutter for block rail
Art.-No. Z894	Cutting head for DEKLICK H 20/4 with Ø30 mm borehole (Ø40 et Ø50). Upon request.



DEKLICK® Box

Art.-No. K010/BOX

50 DEKLICK® blocks (extra grip, grey)	25 EURO screws
50 DEKLICK® blocks (removable, black)	300 A2 stainless steel screw 4,5x35 mm
50 DEKLICK® lamellar clamps (extra grip, grey)	100 square nuts M6
50 DEKLICK® lamellar clamps (removable, black)	1 Torx bit T15
50 DEKLICK® screw clamps (black)	1 Torx bit T25
100 A2 stainless steel screw 5x50 mm	1 KNAPP® PU+ adhesive
50 CS-screws 4x16 mm	1 DEKLICK® wood sample

DEKLICK® has a patent pending.



VIDEO

Knapp GmbH | Wassergasse 31 | A-3324 Euratsfeld | Tel.: +43 (0)7474 / 799 10 | Fax: +43 (0)7474 / 799 10 99

Knapp GmbH | Vertrieb Deutschland | Föhrenweg 1 | D-85591 Vaterstetten
Tel.: +49 (0)8106 / 99 55 99 0 | Fax: +49 (0)8106 / 99 55 99 20 | E-Mail: info@knapp-verbinder.com

www.knapp-connectors.com/en



YouTube



online-store

KNAPP®
connectors.com