



ETA-Danmark A/S
Göteborg Plads 1
DK-2150 Nordhavn
Tel. +45 72 24 59 00
Fax +45 72 24 59 04
Internet www.etadanmark.dk

Authorised and notified according
to Article 29 of the Regulation (EU)
No 305/2011 of the European
Parliament and of the Council of 9
March 2011



European Technical Assessment ETA-10/0189 of 2022/08/25

I General Part

Technical Assessment Body issuing the ETA and designated according to Article 29 of the Regulation (EU) No 305/2011: ETA-Danmark A/S

Trade name of the construction product:

Knapp Clip Connectors and hold downs
Type GIGANT 120, 150 and 180,
Type RICON 40/40, 66/16, 60/30, 60/40, 70/20, 80/30,
80/40, 100/25, 100/30, 100/40, 120/25, 120/30,
120/40, 140/25, 140/30, 140/40, 160/25, 160/30 and
160/40,
Type RICON S 60/140, 60/170, 60/200, 60/230,
80/200, 80/230, 80/260, 80/290 and 80/390
Type WALCO Z32, Z40, 60/V60, 80/V80 and V80L
Type WALCO L T

Product family to which the above construction product belongs:

Three-dimensional nailing plate (concealed beam hangers)

Manufacturer:

Knapp GmbH
Wassergasse 31
A-3324 Euratsfeld
Tel.: +43 (0) 7474 79910-0
Telefax: +43 (0) 7474 79910-99
Internet: www.knapp-verbinder.com

Manufacturing plant:

Knapp GmbH
Wassergasse 31
A-3324 Euratsfeld

This European Technical Assessment contains:

250 pages including 4 annexes which form an integral part of the document

This European Technical Assessment is issued in accordance with Regulation (EU) No 305/2011, on the basis of:

EAD 130186-00-0603, Three Dimensional Nailing Plates.

This version replaces:

The previous ETA with the same number issued on 2022-05-08

Translations of this European Technical Assessment in other languages shall fully correspond to the original issued document and should be identified as such.

Communication of this European Technical Assessment, including transmission by electronic means, shall be in full (excepted the confidential Annex(es) referred to above). However, partial reproduction may be made, with the written consent of the issuing Technical Assessment Body. Any partial reproduction has to be identified as such.

II SPECIFIC PART OF THE EUROPEAN TECHNICAL ASSESSMENT

1 Technical description of product

Technical description of the product

Knapp Clip Connectors GIGANT, RICON, RICON S and WALCO V and hold downs WALCO L T are two-piece (GIGANT, RICON, RICON S, and WALCO V with base plate and WALCO L T) or one-piece (WALCO V with collar screw) non-welded, face-fixed connectors to be used in timber to timber connections as well as connections between a timber and a steel member or timber and concrete member. RICON S can also be welded.

The clip connectors are made from pre-galvanized steel grade DD13 according to EN 10111:2008-06 with minimum yield strength R_e of 235 MPa or corrosion resistant steel castings GX5CrNi 19-10 according to EN 10283:2010-06 with minimum yield strength R_e of 175 MPa. The hold-downs are made from pre-galvanized steel grade S235 JR according to EN 10025-2:2004.

Dimensions, hole positions and typical installations are shown in Annex A.

2 Specification of the intended use in accordance with the applicable European Assessment Document (hereinafter EAD)

The connectors are intended for use in making end-grain to side-grain connections, end-grain to end-grain and side-grain to side-grain connections in load bearing timber structures, as a connection between a wood based joist and a solid timber (softwood or hardwood) or wood based header, where requirements for mechanical resistance and stability and safety in use in the sense of the Basic Works Requirements 1 and 4 of Regulation (EU) 305/2011 shall be fulfilled. They are also intended for use in making an end-grain or side-grain connection between a timber joist and a steel member or concrete.

The connectors can be installed as connections between wood based members such as:

- Structural solid timber of soft- or hardwood according to EN 338 / EN 14081,
- Glulam made of soft- or hardwood, classified according to EN 1194 / EN 14080, or with ETA or national approval
- LVL according to EN 14374 or ETA
- Parallam PSL,

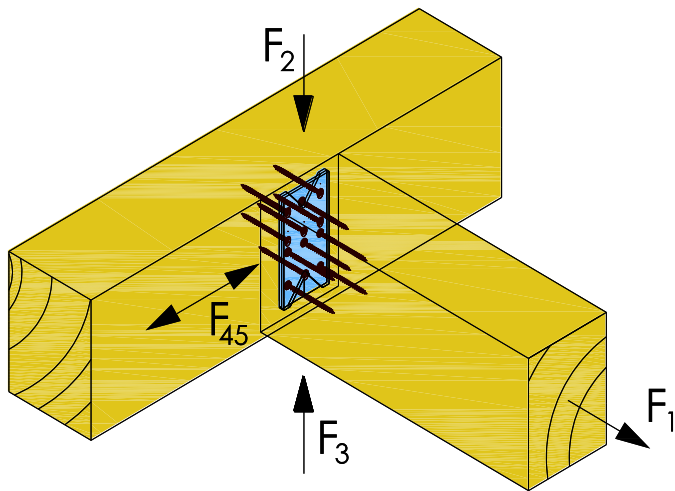
- Intrallam LSL,
- Duo- and Triobalken,
- Cross laminated timber and similar structural glued products according EN16351 or ETA.
- Engineered wood products and solid wood panels according to EN13986 or ETA, the provisions of the ETA of the engineered wood product apply
- Engineered wood products according to ETA if the ETA of the product includes provisions for the use of self-tapping screws, the provisions of the ETA of the engineered wood product apply.
- SWISS KRONO Magnum Board according to ETA-13/0784 (only WALCO V80 Clip Connectors)

However, the calculation methods are only allowed for a characteristic wood density of up to 500 kg/m³ for softwood and 590 kg/m³ for hardwood. Even though the wood based material may have a larger density, this must not be used in the formulas for the load-carrying capacities of the fasteners.

Where an interlayer made of wood-based panel is placed between the Knapp Clip Connector and the header, the influence of the interlayer on the load-carrying-capacity of the header fasteners has to be taken into account.

Annex B states the formulas for the characteristic load-carrying capacities of the connections. The design of the connections shall be in accordance with Eurocode 5 or a similar national Timber Code.

It is assumed that the forces acting on the connection are the following F_1 , F_2 , F_3 and F_{45} . The force F_1 acts perpendicular to the clip connector plate, F_2 and F_3 shall act in the middle of the clip connector in or against the direction of insertion. The force F_{45} is assumed to act with an eccentricity e_{45} with regard to the centre of gravity of the screws in the clip connector plate. In end-grain to side-grain it is assumed that the forces are acting right at the end of the joist.



The provisions made in this European Technical Assessment are based on an assumed intended working life of the concealed beam hangers of 50 years.

The indications given on the working life cannot be interpreted as a guarantee given by the producer or Assessment Body, but are to be regarded only as a means for choosing the right products in relation to the expected economically reasonable working life of the works.

It is assumed that the header beam is prevented from rotating. Similarly, it is assumed that the steel member to which the connector is bolted does not rotate. If the header beam only has installed a connector on one side the eccentricity moment $M_v = F_d \times (b_H/2 + e)$ shall be considered where b_H is the header width. The same applies when the header has connections on both sides, but with vertical forces which differ more than 20%.

It is a condition for a force F_1 , F_2 , F_3 and F_{45} that the connector plate is connected to a wood-based member with screws in all holes marked.

The connectors are intended for use in connections subject to static or quasi static loading. The zinc-coated connectors are for use in timber structures subject to dry, internal conditions defined by the service classes 1 and 2 of EN 1995-1-1, (Eurocode 5). The stainless steel connectors are for use in timber structures subject to conditions defined by the service classes 1, 2 and 3 of EN 1995-1-1:2008, (Eurocode 5). The fasteners (screws and bolts) to be used shall be made from suitable material.

KNAPP clip connectors with $\geq 60 \mu\text{m}$ zinc-coating and screws with $\geq 15 \mu\text{m}$ zinc-coating are intended to be used for concealed connections in climatic conditions equivalent to swimming pool facilities with fresh water (this use does not apply to facilities with mineral or brine baths).

Details of the corrosion protection system are deposited at ETA-Danmark.

The scope of the brackets regarding resistance to corrosion shall be defined according to national provisions that apply at the installation site considering environmental conditions.

3 Performance of the product and references to the methods used for its assessment

Characteristic	Assessment of characteristic
3.1 Mechanical resistance and stability*) (BWR1)	
Joint Strength - Characteristic load-carrying capacity	See Annex B
Joint Stiffness	See Annex B
Joint ductility	No performance assessed
Resistance to seismic actions	No performance assessed
Resistance to corrosion and deterioration	See section 3.6
3.2 Safety in case of fire (BWR2)	
Reaction to fire	The concealed beam hangers are made from steel classified as Euroclass A1 in accordance with EN 13501-1 and Commission Delegated Regulation 2016/364
3.3 General aspects related to the performance of the product	
Identification	See Annex A

*) See additional information in section 3.4 – 359.

3.4 Methods of verification

The characteristic load-carrying capacities are based on the characteristic values of the connectors and the steel plates.

According to EN 1990 (Eurocode – Basis of design) paragraph 6.3.5 the design value of load-carrying capacity can be determined by reducing the characteristic values of the load-carrying capacity with different partial factors.

Therefore, to obtain design values according to the Eurocodes or appropriate national codes of practice, the capacities have to be multiplied with different partial factors for the material properties and – for the connectors mounted in wood – also the coefficient k_{mod} that takes into account the load duration class.

Thus, the characteristic or design values of the load-carrying capacity are determined also for timber failure $F_{Rk,H}$ (obtaining the embedment strength of connectors subjected to shear or the withdrawal capacity of the most loaded connector, respectively (see Annex B) as well as for steel plate failure $F_{KCC,Rd}$. The design value of the load-carrying capacity is the smaller value of both load-carrying capacities.

$$F_{Rd} = \min \left\{ \frac{k_{mod} \cdot F_{Rk,H}}{\gamma_{M,H}}; F_{KCC,Rd} \right\}$$

Therefore, for timber failure the load duration class and the service class are included. The different partial factors γ_M for steel or timber, respectively, are also correctly taken into account.

3.5 Mechanical resistance and stability

See annex B for characteristic load-carrying capacities of the connectors.

The characteristic capacities of the connectors are determined by calculation assisted by testing as described in the EAD 130186-00-0603. They should be used for designs in accordance with Eurocode 5 or a similar national Timber Code.

The design models allow the use of fasteners described in Annex A:

Screws in accordance with EN 14592

In the formulas in Annex B the capacities for self-drilling screws calculated from the formulas of Eurocode 5 are used assuming a thick steel plate when calculating the lateral nail load-carrying-capacity.

Further, the connectors can be fastened to a steel member by bolts with a diameter of 5 to 10 mm in holes with a diameter up to 1 mm larger than the bolt, and to a concrete member by concrete dowels.

No performance has been determined in relation to ductility of a joint under cyclic testing. The contribution to the performance of structures in seismic zones, therefore, has not been assessed.

3.6 Aspects related to the performance of the product

3.6.1 Corrosion protection in service class 1 and 2.

In accordance with EAD 130186-00-0603 the connectors from 5 mm thick mild steel either have a zinc coating weight of min Z275 or an equivalent coating Fe/Zn 12. The steel employed is DD13 according to EN 10111:2008-06 with minimum yield strength R_e of 235 MPa.

3.6.2 Corrosion protection in service class 3.

In accordance with EAD 130186-00-0603 the stainless steel connectors are produced from 5 mm thick corrosion resistant steel castings. The steel employed is GX5CrNi 19- 10 according to EN 10283:2010-06 with minimum yield strength R_e of 175 MPa.

3.7 General aspects related to the fitness for use of the product

Knapp Clip Connectors GIGANT, RICON, RICON S WALCO V WALCO Z32/Z40 and WALCO L/T are manufactured in accordance with the provisions of this European Technical Assessment using the manufacturing processes as identified in the inspection of the plant by the notified inspection body and laid down in the technical documentation.

Connector joints

A connector joint is deemed fit for its intended use provided:

Header – support conditions

- The header beam shall be restrained against rotation and be free from wane under the connector.

If the header carries joists only on one side the eccentricity moment from the joists

$M_{ec} = R_{joist} \times b_H/2$ shall be considered at the strength verification of the header.

R_{joist} Reaction force from the joists

b_H Width of header

- For a header with joists from both sides but with vertical forces which differ more than 20% a similar consideration applies.

Wood to wood connections

- Connectors are fastened to wood-based members by screws or bolts.
- There shall be screws in all marked holes as prescribed in Annex A.
- The characteristic capacity of the connector joint is calculated according to the manufacturer's technical documentation, dated 2009-12-05, 2018-07-26, 2018-11-10, 2019-07-19, 2019-09-05 and 2021-01-25.
- The connector joint is designed in accordance with Eurocode 5 or an appropriate national code.
- There is no gap between the end of the joist and the connector plate or between the header surface and the connector plate.
- For Knapp Clip Connectors the width of the joist shall be at least the minimum width as prescribed in Annex A or D.
- The cross section of the joist at the connector joint shall have sharp edges, it shall be without wane.
- The cross section of the header shall have a plane surface against the whole connector plate.
- The depth of the joist or header shall be so large that the minimum fastener end and edge distances are observed.
- Screws to be used shall have a diameter, which fits the holes of the connector plates.
- The screws may be driven into softwood without predrilling for:
 - RICON (Ø5 mm except RICON 40/40) and RICON S
 - WALCO V60 and WALCO 32 or 40 with partial screw pattern

The screws shall be driven into softwood after pre-drilling:

- RICON (Ø8 mm) and RICON 40/40
- WALCO V80 and WALCO Z32 or Z40 with full screw pattern
- GIGANT

The screws shall be driven into hardwood after pre-drilling.

The drill hole diameters are:

Outer thread diameter	Drill hole diameter	
	Softwood	Hardwood
5,0	3,0	3,5
6,0	4,0	4,0
8,0	5,0	6,0
10,0	6,0	7,0
KS12x60	8,0	9,0
KS16x60	12,0	13,0

Wood to steel and wood to concrete

The above mentioned rules for wood to wood connections are applicable also for the connection between the joist and the steel-header or concrete-header.

- The connector joint is designed in accordance with Eurocodes 2, 3, 5 or 9 or an appropriate national code.
- The connector plate shall be in close contact with the steel or concrete over the whole face. There shall be no intermediate layers in between, except static calculations are made for the interlayer.
- The bolt shall have a diameter not less than the hole diameter minus 2 mm.
- The bolts shall be placed symmetrically about the vertical symmetry line. The number of bolts shall equal the number of the respective screws in the joist.
- Concrete bolts shall be in accordance with an ETA

4 Attestation and verification of constancy of performance (AVCP)

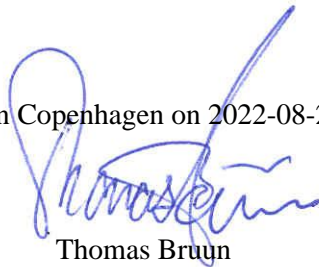
4.1 AVCP system

According to the decision 97/638/EC of the European Commission¹, as amended, the system(s) of assessment and verification of constancy of performance (see Annex V to Regulation (EU) No 305/2011) is 2+.

5 Technical details necessary for the implementation of the AVCP system, as foreseen in the applicable EAD

Technical details necessary for the implementation of the AVCP system are laid down in the control plan deposited at ETA-Danmark prior to CE marking

Issued in Copenhagen on 2022-08-25 by



Thomas Bruun
Managing Director, ETA-Danmark

Table of contents of ETA-10/0189:

Annex A

Pages	Connector + Accessoires
10 - 14	GIGANT connector plates, screws and clip locks
15 - 50	RICON carbon/stainless steel connector plates, screws, locking clip, connecting nuts, insert screws and reinforcing plates
51 - 82	RICON S connector plates, screws, collar bolts, clip locks
83 - 107	WALCO V connector plates, screws and collar screws, collar bolts and clip locks
108 - 110	WALCO Z32 / WALCO Z40 connector plates and screws
111 - 134	WALCO L T connector plates, screws and nails

Annex B

Pages	Design values of load-carrying- capacities (Formulas for the load directions)
135 - 142	B.1 Design capacities of timber-to-timber connector joints (load direction F_1 , F_{23} , F_{45})
143	B.2 Design capacities of connector joints with bolts or metal anchors
144	B.3 Connection stiffness (K_{ser} values)

Annex C

Pages	Tables with loads and form factors
145 - 146	Table C1: Characteristic capacities $F_{KCC,Rk}$, form factors k_H , dimensions a_c , a_1 , a_2 and numbers n_{45} for GIGANT, RICON, RICON S, WALCO V connectors
146	Table C2: WALCO Z32 / WALCO Z40: Characteristic capacities $F_{1,Rk}$ for timber member C24 and higher
146	Table C3: WALCO Z32 / WALCO Z40: Characteristic capacities $F_{2,Rk}$ for timber member C24 and higher
146	Table C4: WALCO Z32 / WALCO Z40: Characteristic capacities $F_{45,Rk}$ for timber member C24 and higher

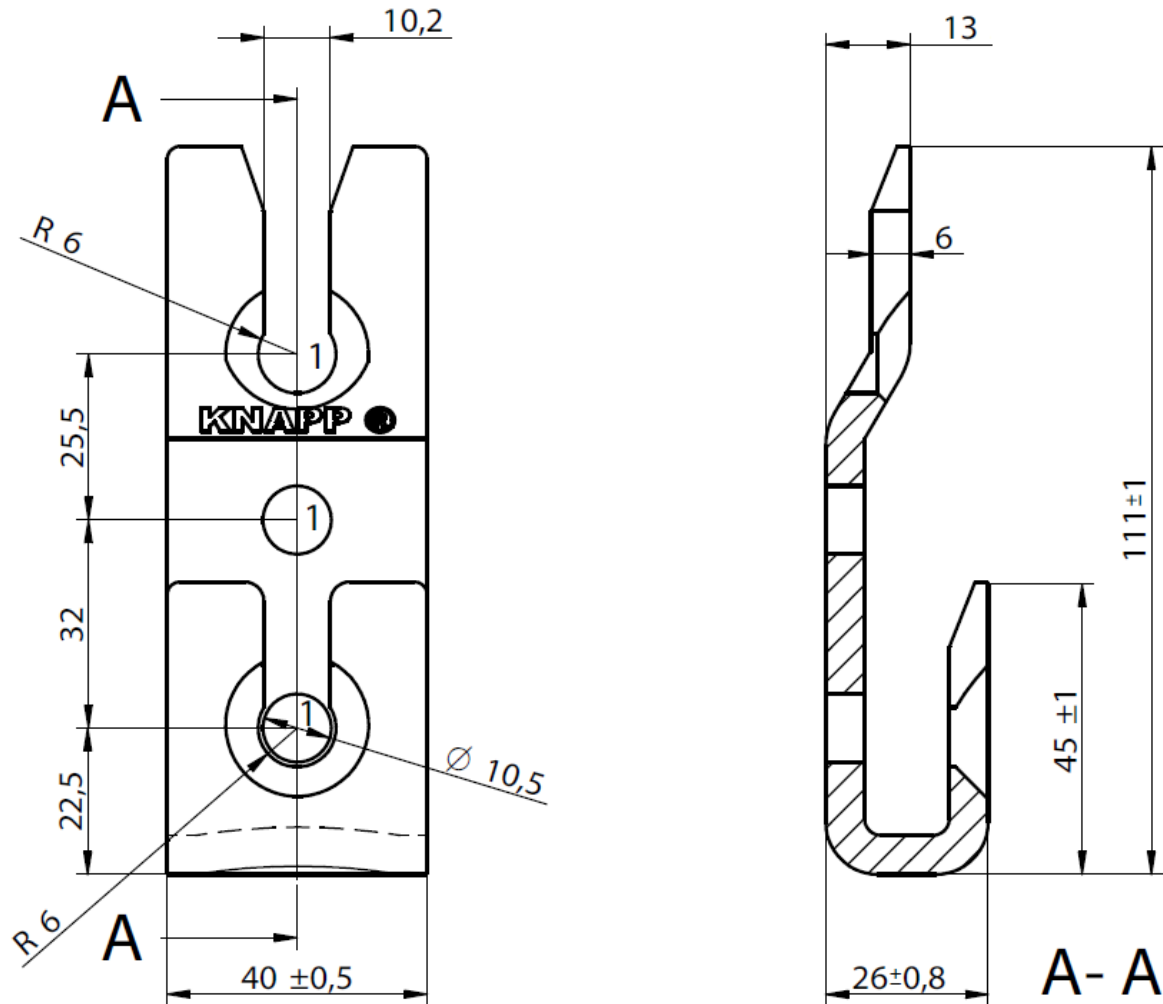
Annex D

Pages	Installation of connectors
147 - 151	GIGANT: Header – joist connection
152 - 188	RICON: Header – joist connections / post – beam connections
189 - 222	RICON S: Header – joist connections / post – beam connections
223 - 237	WALCO V: Wall connections
238 - 250	WALCO Z32 / WALCO Z40: Wall connections

Annex A
Product details and definitions

KNAPP® Clip Connector GIGANT 120/40

6.0 mm thick steel, grade DD13 according to EN 10111, with yield strength R_e of 235 MPa.
Pre-galvanized steel plate with coating Fe/Zn 12



Without clip lock

3 screws in header (side grain) using hole pattern 1, with KNAPP® SK 10x80 or 10x120

3 screws in end grain using hole pattern 1, with KNAPP® SK 10x120 or SK 10x200

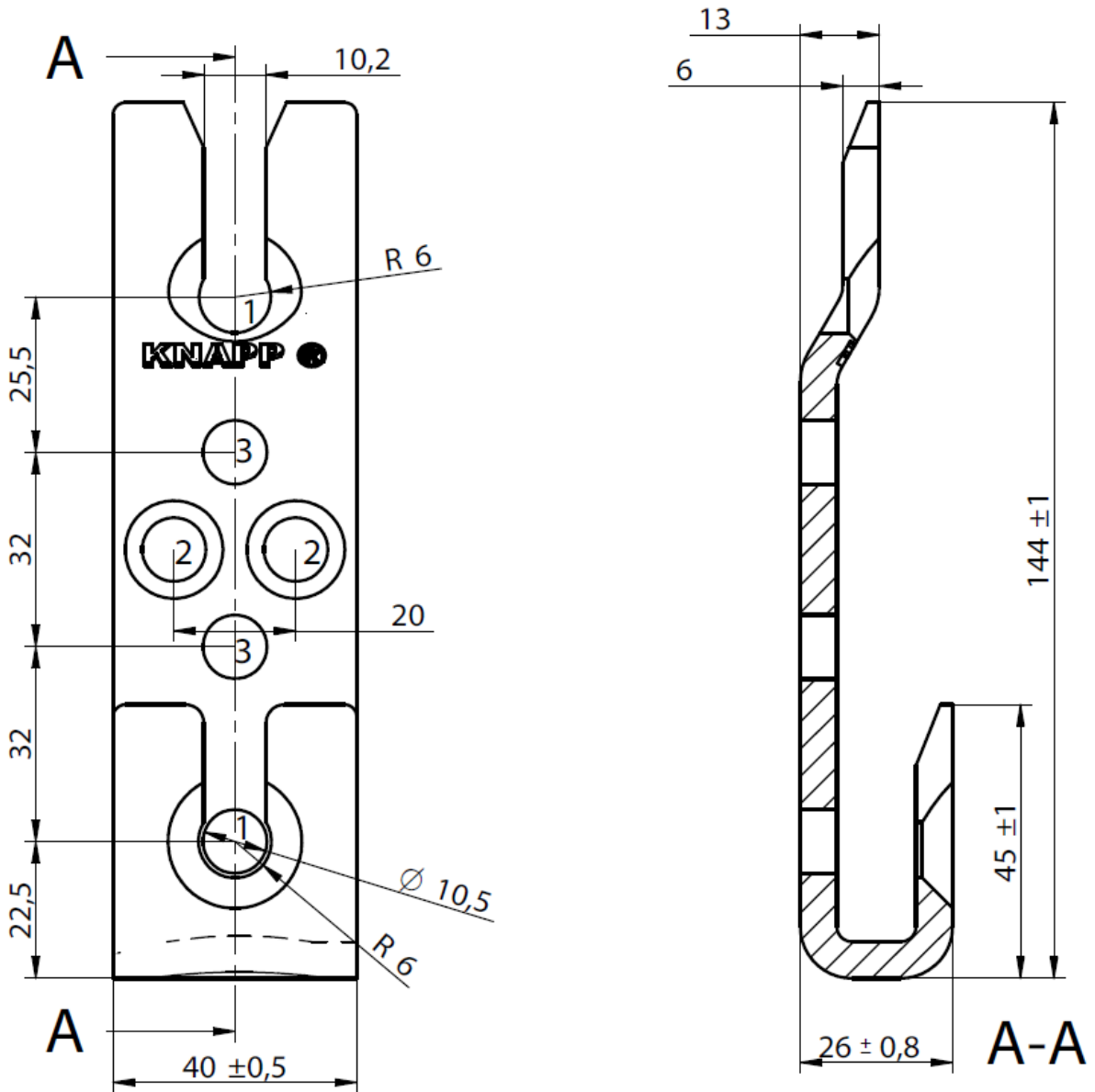
With clip lock

3 screws in header (side grain) using hole pattern 1 with KNAPP® SK 10x80 or 10x120

3 screws in end grain using hole pattern 1 with KNAPP® SK 10x120 or SK 10x200

KNAPP® Clip Connector GIGANT 150/40

6.0 mm thick steel, grade DD13 according to EN 10111, with yield strength R_e of 235 MPa.
Pre-galvanized steel plate with coating Fe/Zn 12



Without clip lock

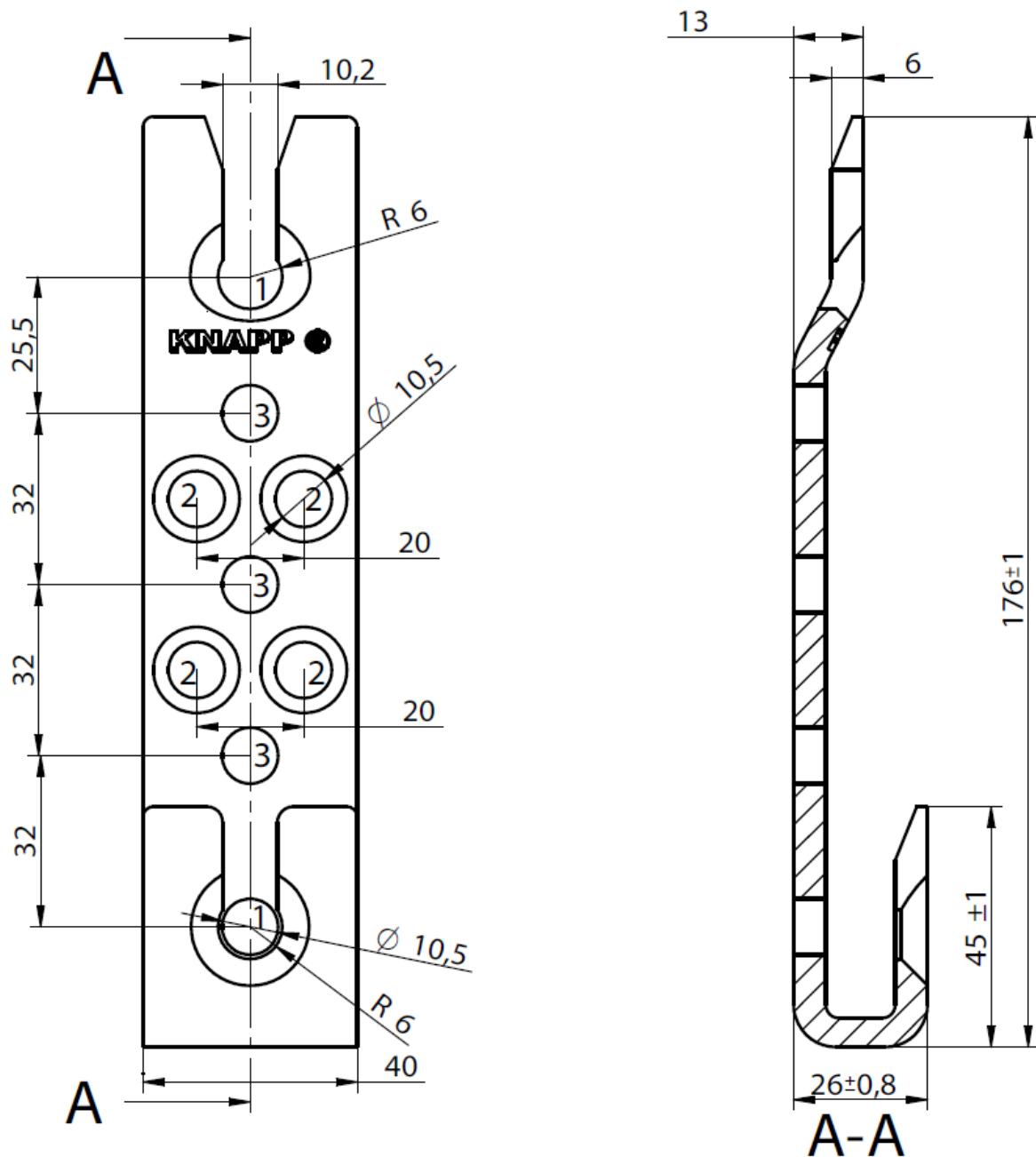
4 screws in header (side grain) using hole pattern 1 and 2 with KNAPP® SK 10x80 or 10x120
4 screws in end grain using hole pattern 1 and 2 with KNAPP® SK 10x120 or SK 10x200

With clip lock

4 screws in header (side grain) using hole pattern 1 and 2 with KNAPP® SK 10x80 or 10x120
4 screws in end grain using hole pattern 1 and 3 with KNAPP® SK 10x120 or SK 10x200

KNAPP® Clip Connector GIGANT 180/40

6.0 mm thick steel, grade DD13 according to EN 10111, with yield strength R_e of 235 MPa.
Pre-galvanized steel plate with coating Fe/Zn 12



Without clip lock

6 screws in header (side grain) using hole pattern 1 and 2 with KNAPP® SK 10x80 or 10x120
6 screws in end grain using hole pattern 1 and 2 with KNAPP® SK 10x120 or SK 10x200

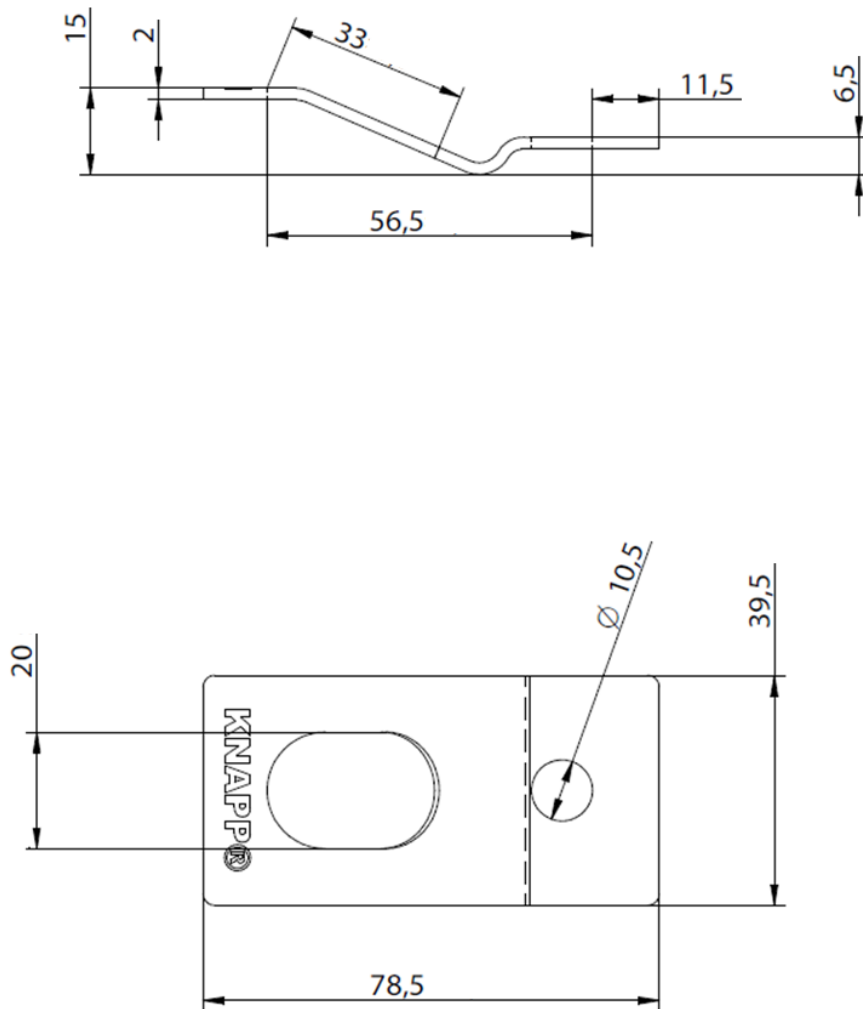
With clip lock

6 screws in header (side grain) using hole pattern 1 and 2 with KNAPP® SK 10x80 or 10x120
5 screws in end grain using hole pattern 1 and 3 with KNAPP® SK 10x120 or SK 10x200

KNAPP® GIGANT clip lock

2.0 mm thick steel grade S500MC according to EN 10149-2: with yield strength R_e of 500 MPa, tensile strength R_m of 580 MPa, maximum tensile strength R_m of 700 and ultimate strain A80 of 6%

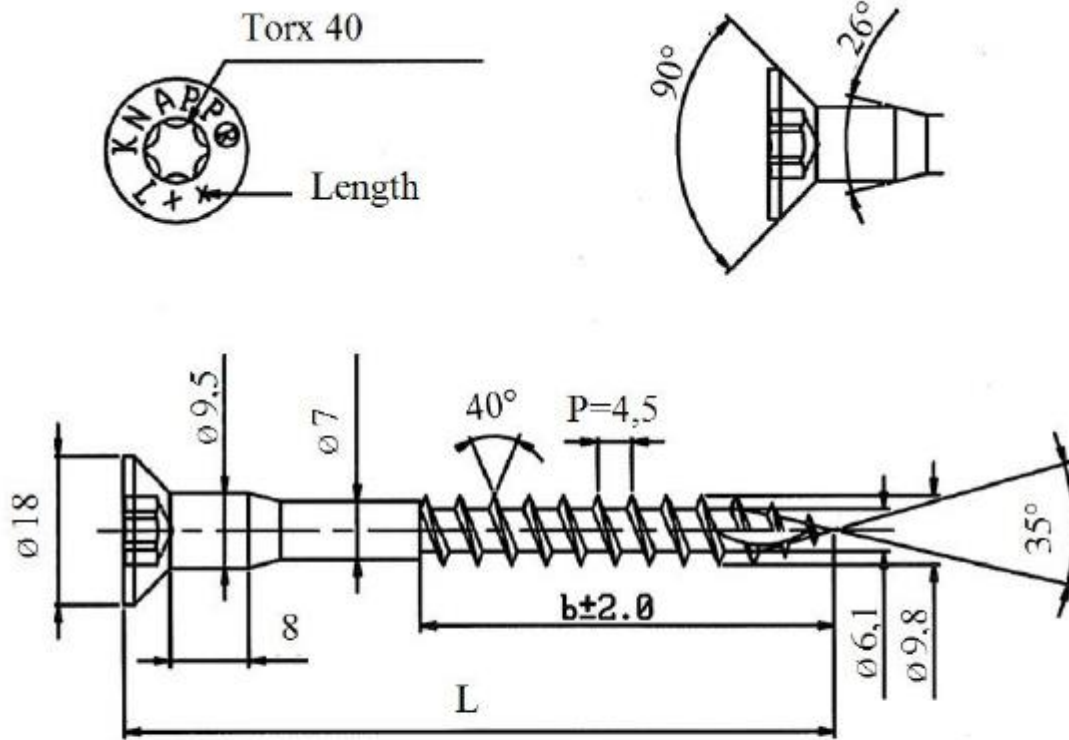
Corrosion protection by pre-galvanizing, chromate conversion coating, and sealing according to specifications on file at ETA Danmark



dimensions in mm

KNAPP® GIGANT screw SK 10x80, SK 10x120, SK 10x200

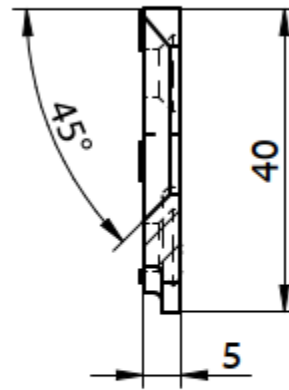
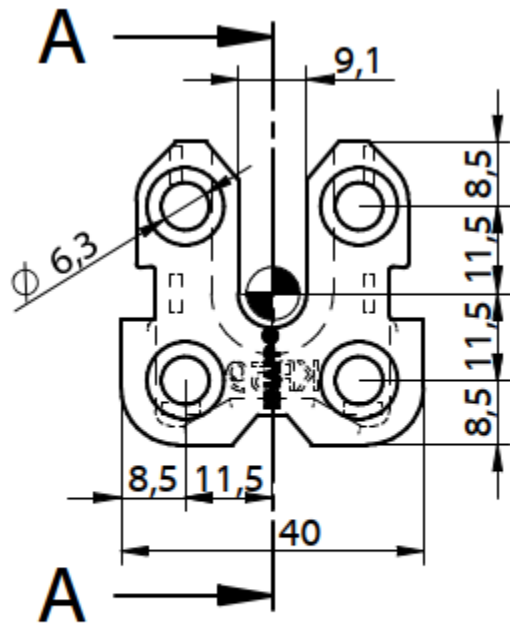
Screws according to EN 14592 manufactured of carbon steel, tension $f_{tens,k}$ of 32 kN, torque $M_{t,u,k}$ of 45 Nm, yield moment M_{yk} of 35 kNm and corrosion protection according to Eurocode 5;



L	b
80 -1,5	54 ± 2
120 -1,75	84 ± 2
200 -1,8	164 ± 2

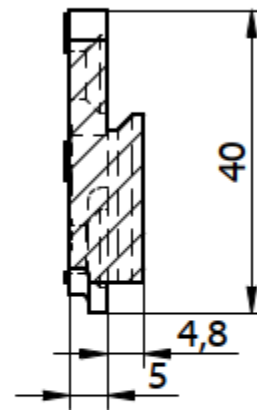
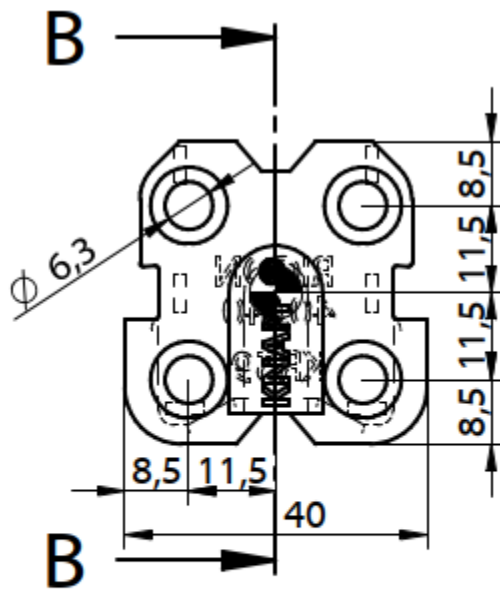
KNAPP® Clip Connector RICON® 40/40

5.0 mm thick stainless steel grade GX5CrNi 19-10 with minimum yield strength R_e of 175 MPa



A-A

1:1



B-B

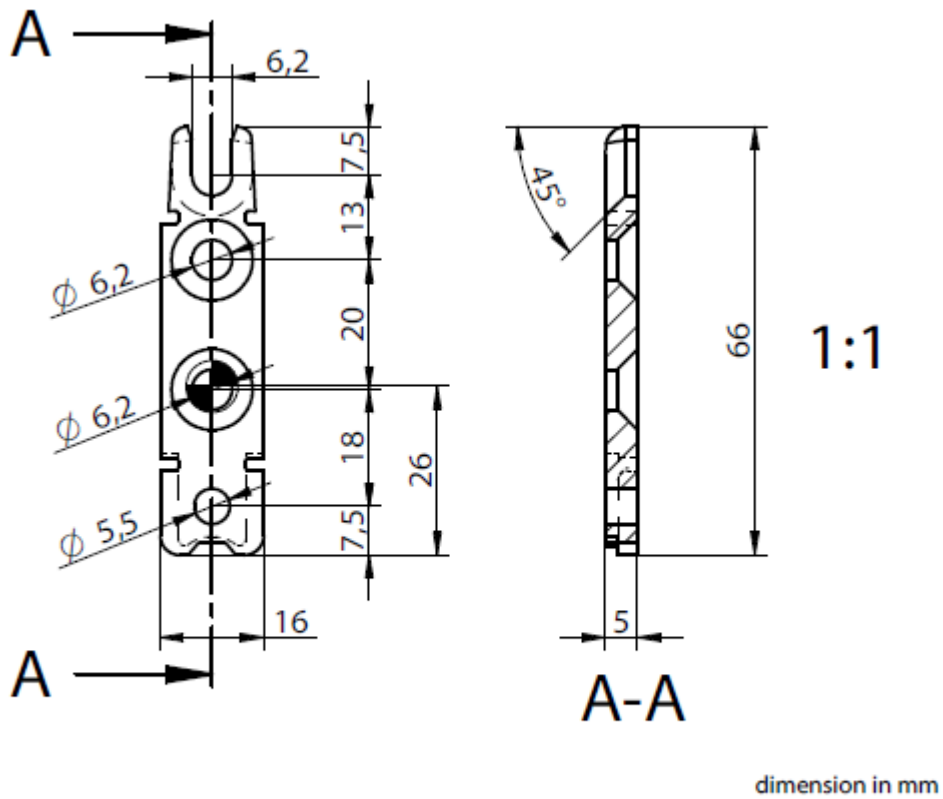



Center of gravity

di

KNAPP® Clip Connector RICON® 66/16

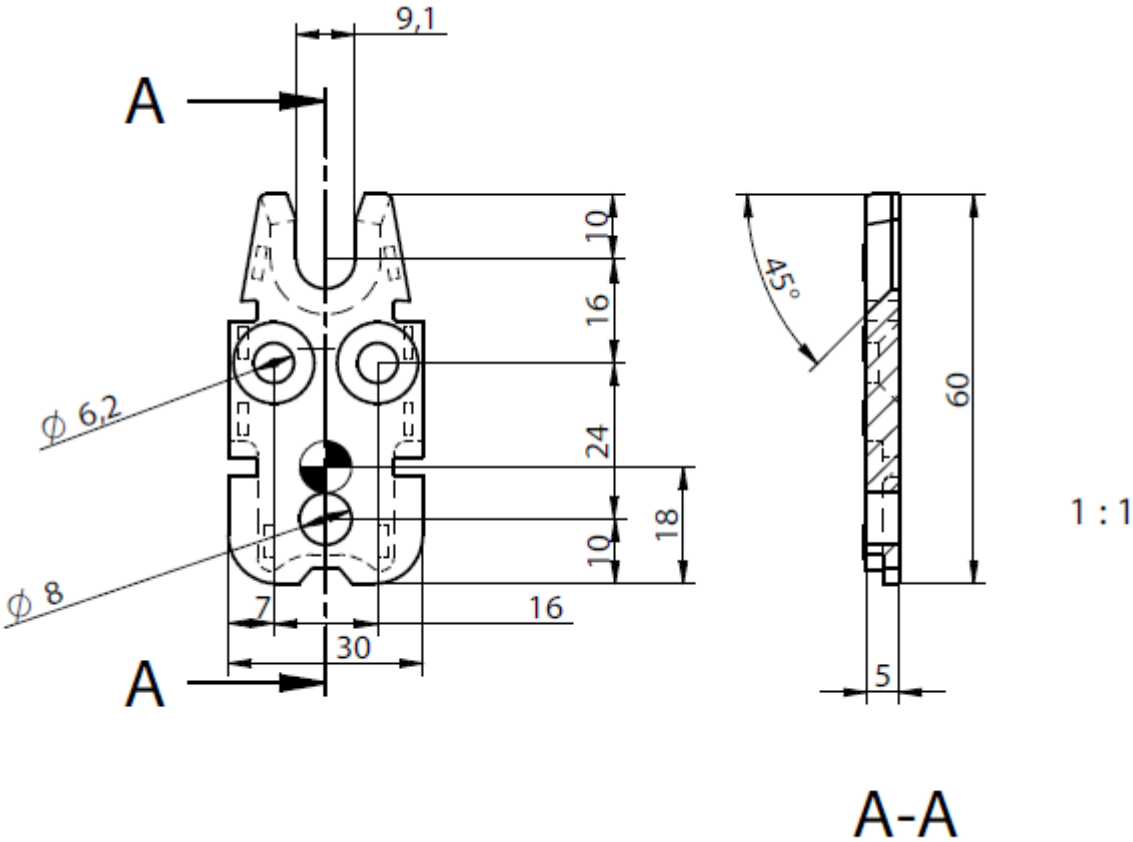
5.0 mm thick stainless steel grade GX5CrNi 19-10 with minimum yield strength R_e of 175 MPa



 Center of gravity

KNAPP® Clip Connector RICON® 60/30

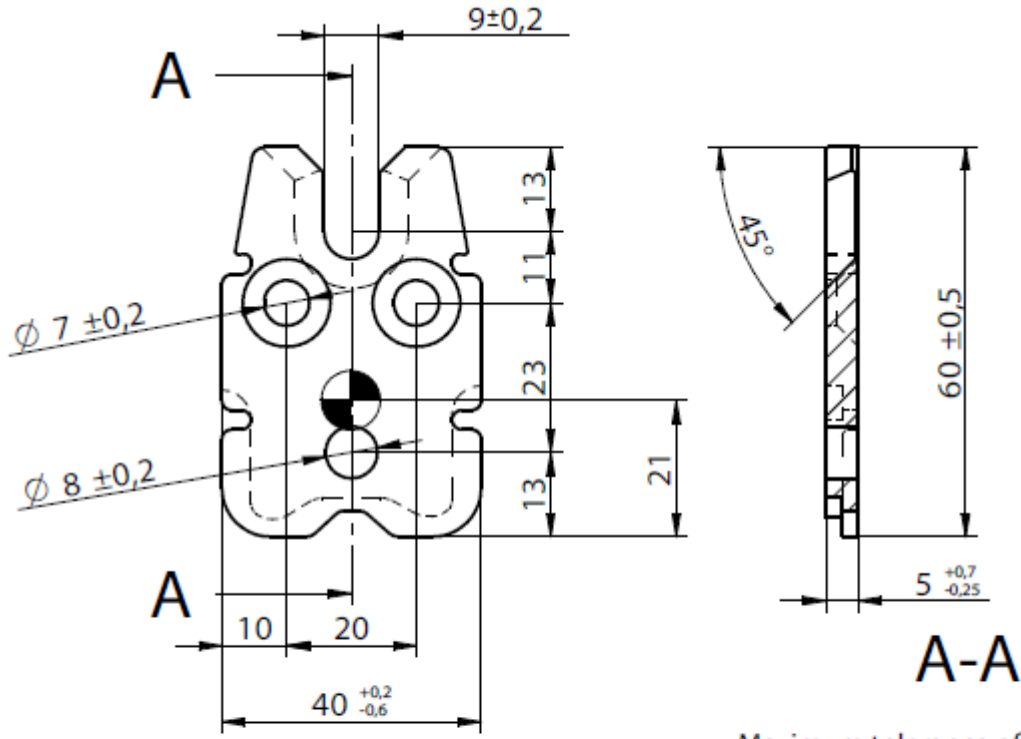
5.0 mm thick stainless steel grade GX5CrNi 19-10 (AISI304) with minimum yield strength R_e of 175 MPa



KNAPP® Clip Connector RICON® 60/40

5.5 mm thick steel grade DD13 according to EN 10111:2008-06 with yield strength R_e of 235 MPa;
Corrosion protection according to Eurocode 5

5.0 mm thick stainless steel grade GX5CrNi 19-10 (AISI304) with minimum yield strength R_e of 175 MPa



Maximum tolerance of spacing and end/edge distance ± 0.3 mm

1:1

dimension in mm

1:1

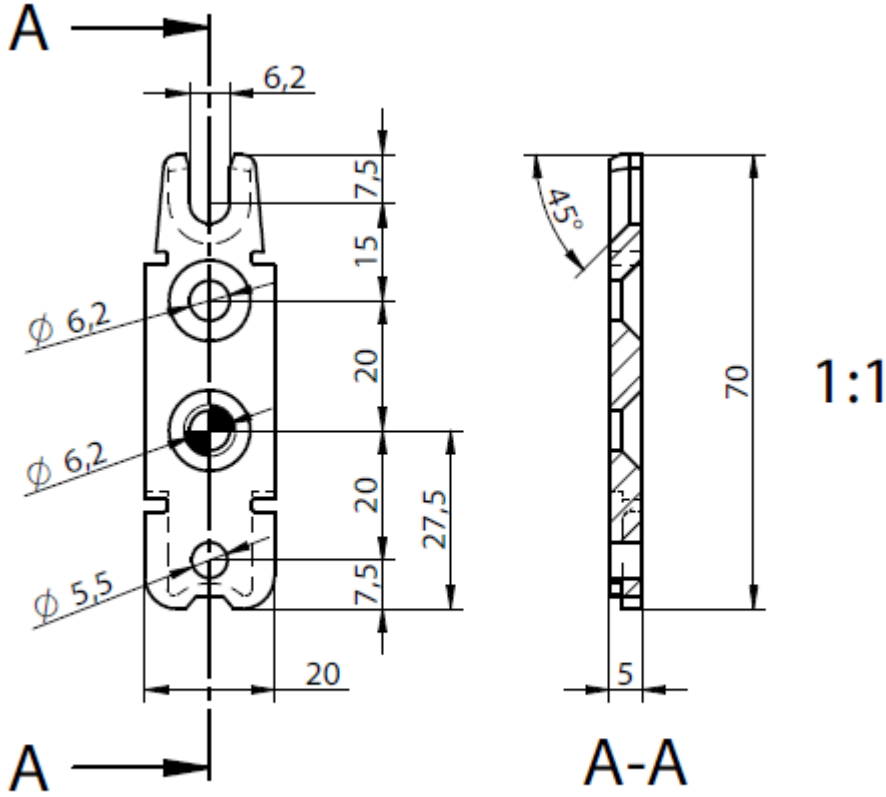
dimensions in mm

Optional small ribbing for RICON 60/40 to 160/40 arranged around center sunk holes



KNAPP® Clip Connector RICON® 70/20

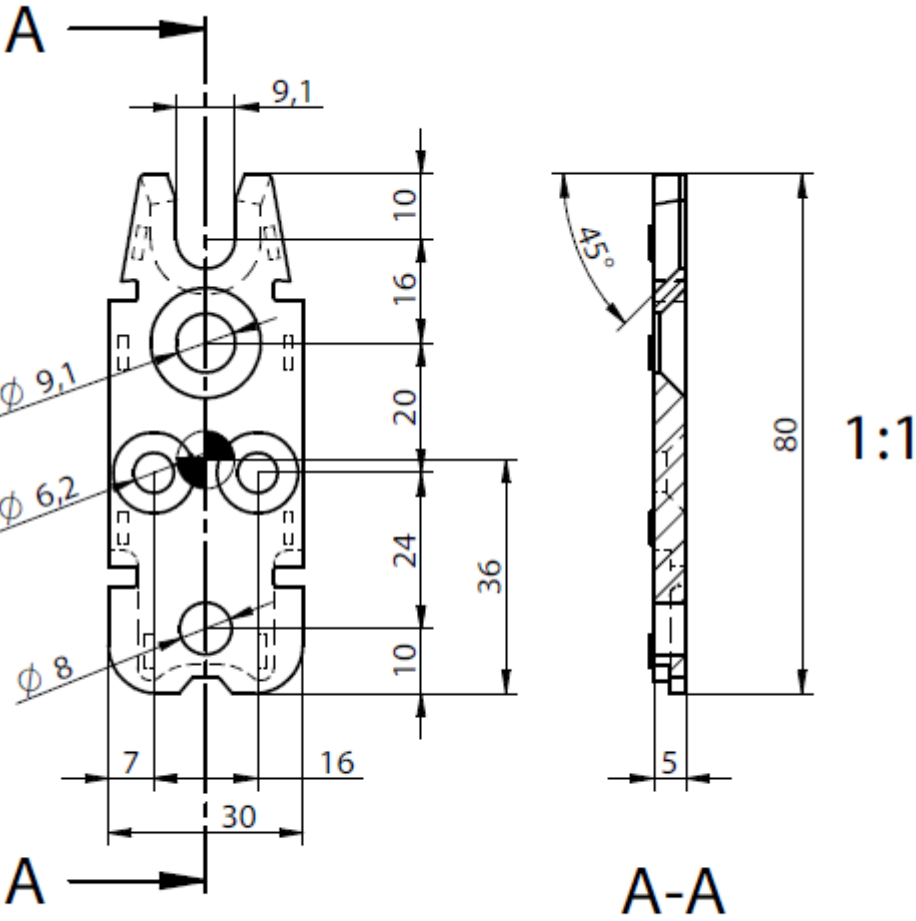
5.0 mm thick stainless steel grade GX5CrNi 19-10 minimum yield strength R_e of 175 MPa



dimension in mm

KNAPP® Clip Connector RICON® 80/30

5.0 mm thick stainless steel grade GX5CrNi 19-10 (AISI304) with minimum yield strength R_e of 175 MPa

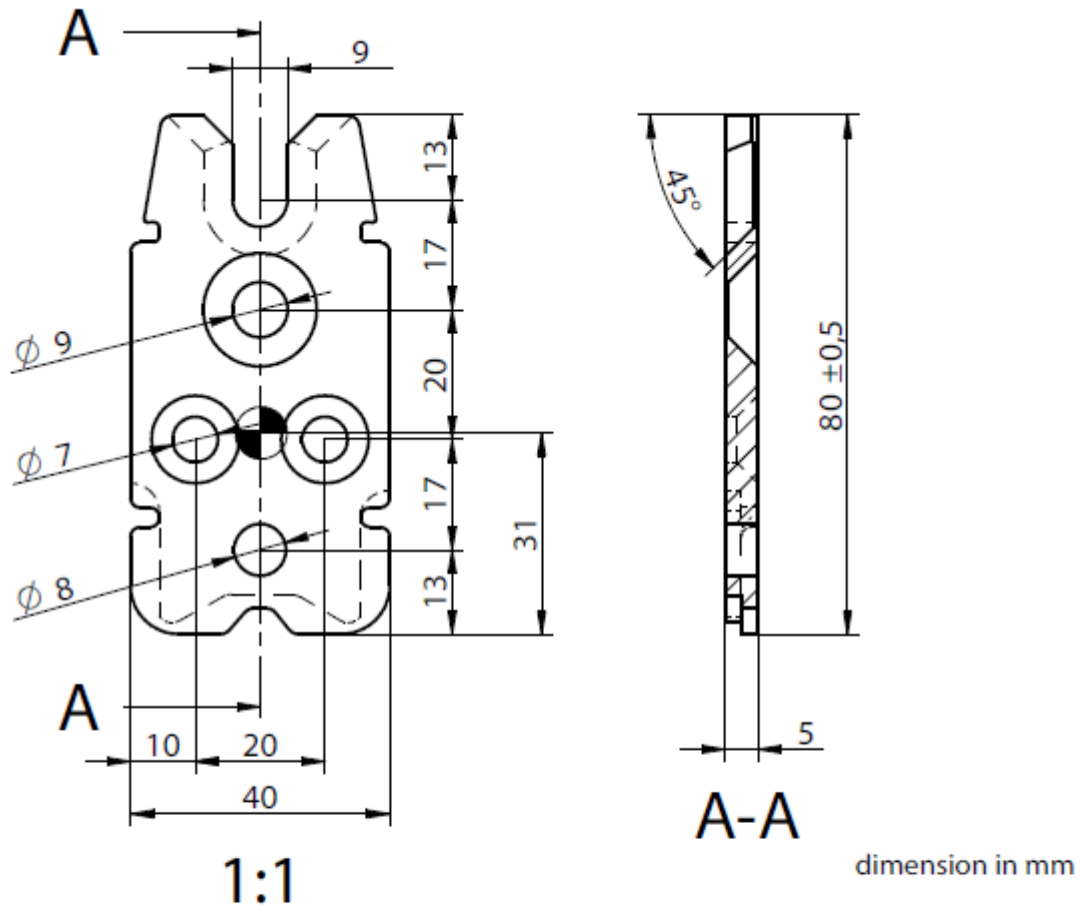


dimension in mm

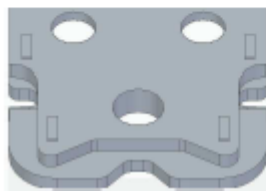
KNAPP® Clip Connector RICON® 80/40

5.5 mm thick steel grade DD13 according to EN 10111:2008-06 with yield strength R_e of 235 MPa;
Corrosion protection according to Eurocode 5

5.0 mm thick stainless steel grade GX5CrNi 19-10 (AISI304) with minimum yield strength R_e of 175 MPa

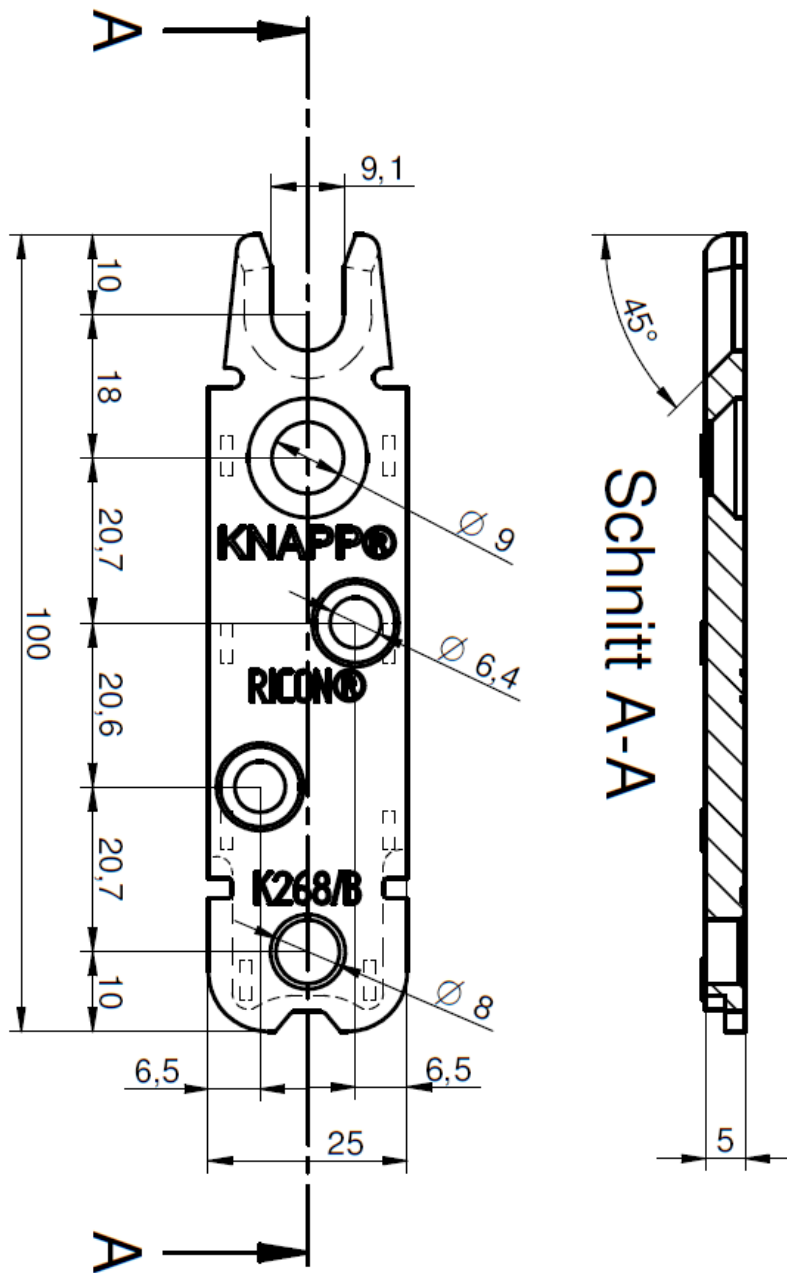


Stainless steel: Small ribbing for RICON 80/40 to 160/40 arranged along the bottom contour



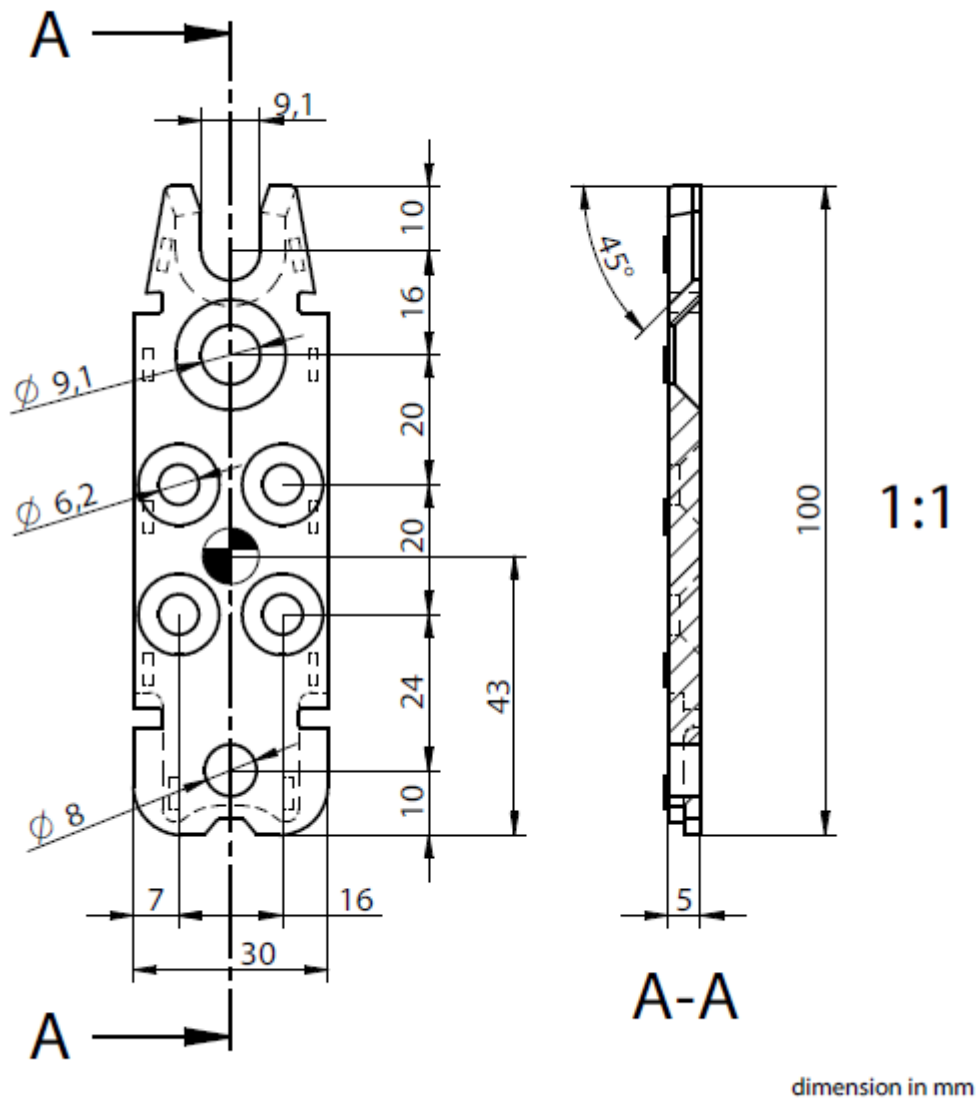
KNAPP® Clip Connector RICON® 100/25

5.0 mm thick stainless steel grade GX5CrNi 19-10 minimum yield strength R_e of 175 MPa



KNAPP® Clip Connector RICON® 100/30

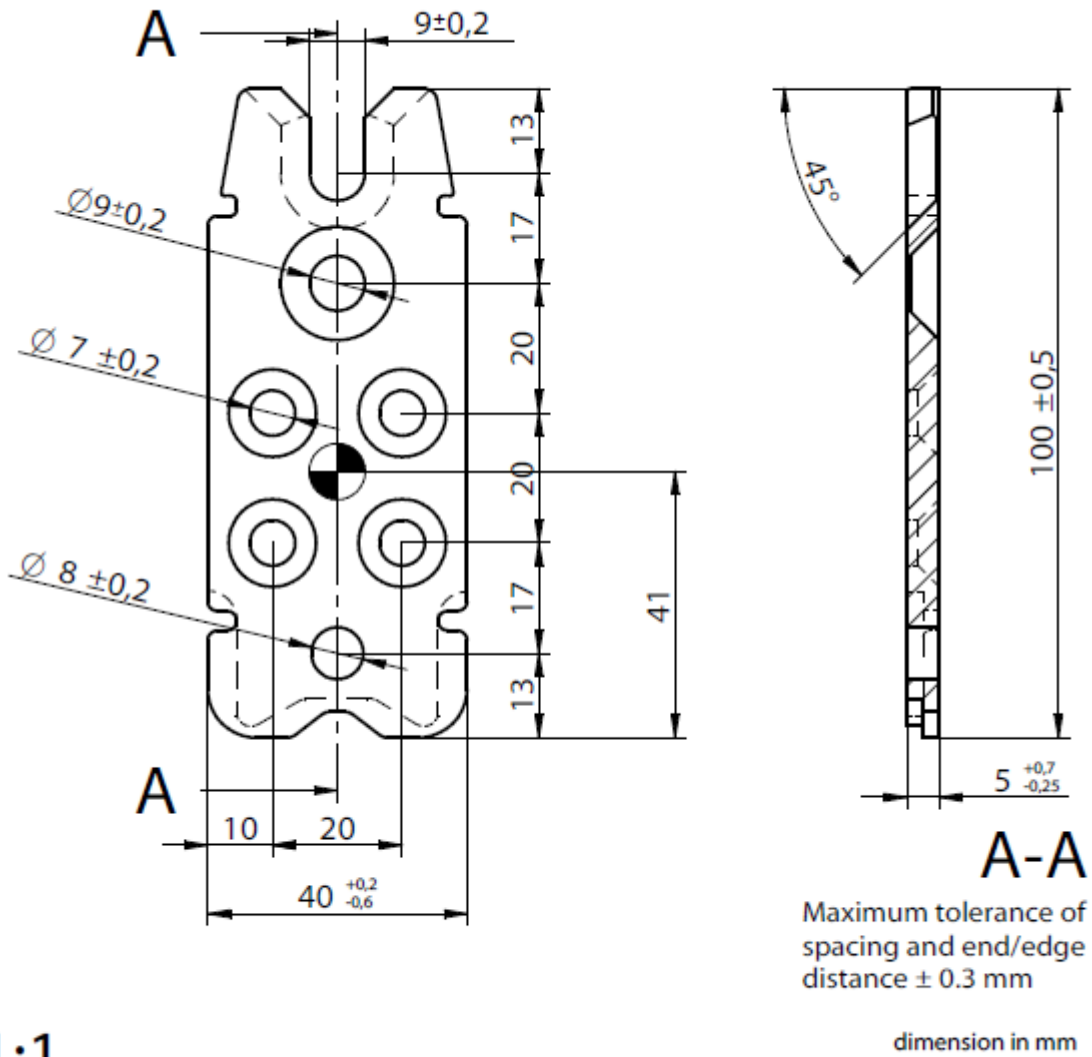
5.0 mm thick stainless steel grade GX5CrNi 19-10 (AISI304) with minimum yield strength R_e of 175 MPa



KNAPP® Clip Connector RICON® 100/40

5.5 mm thick steel grade DD13 according to EN 10111:2008-06 with yield strength R_e of 235 MPa;
Corrosion protection according to Eurocode 5

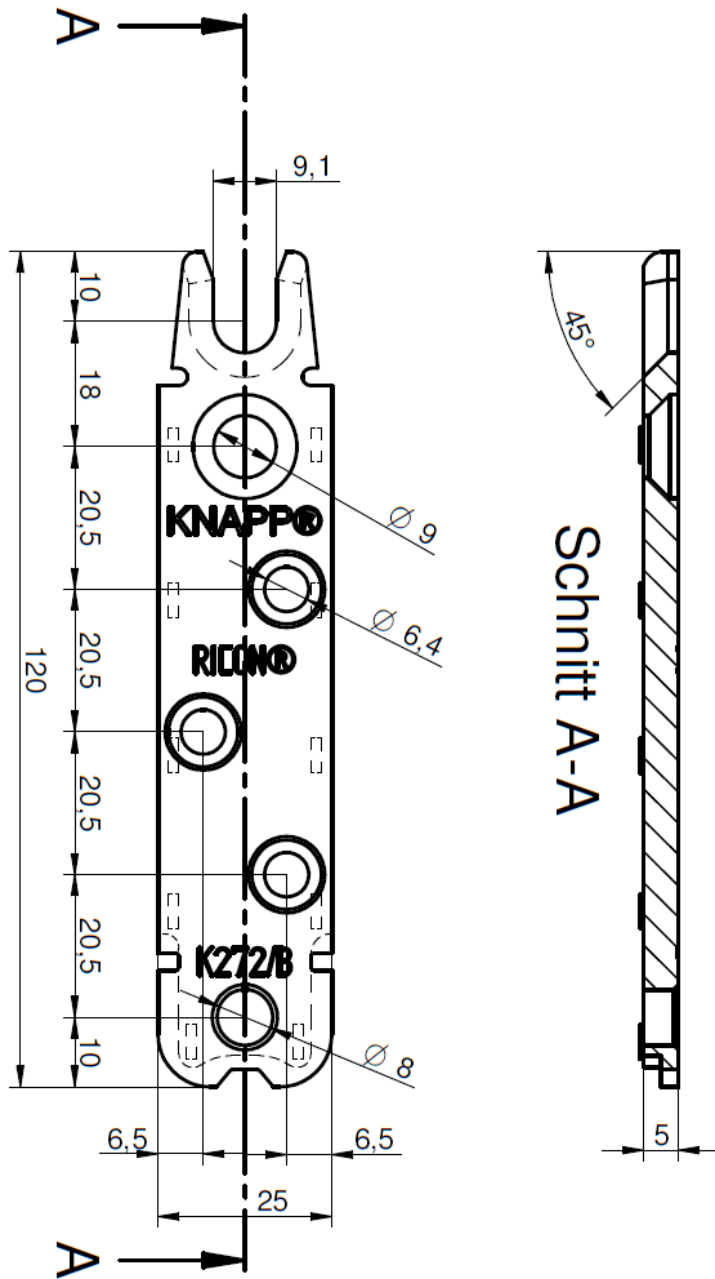
5.0 mm thick stainless steel grade GX5CrNi 19-10 (AISI304) with minimum yield strength R_e of 175 MPa



1:1

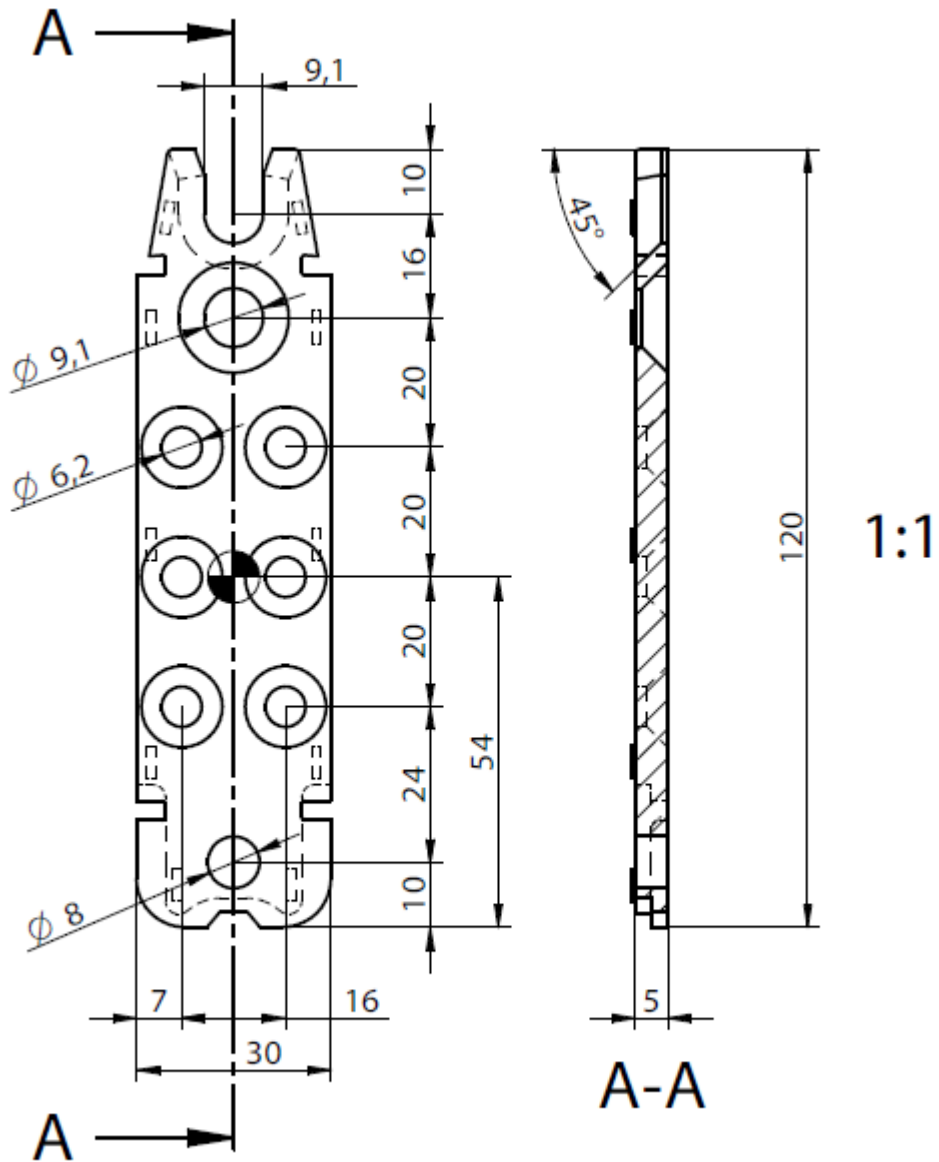
KNAPP® Clip Connector RICON® 120/25

5.0 mm thick stainless steel grade GX5CrNi 19-10 minimum yield strength R_e of 175 MPa



KNAPP® Clip Connector RICON® 120/30

5.0 mm thick stainless steel grade GX5CrNi 19-10 (AISI304) with minimum yield strength R_e of 175 MPa

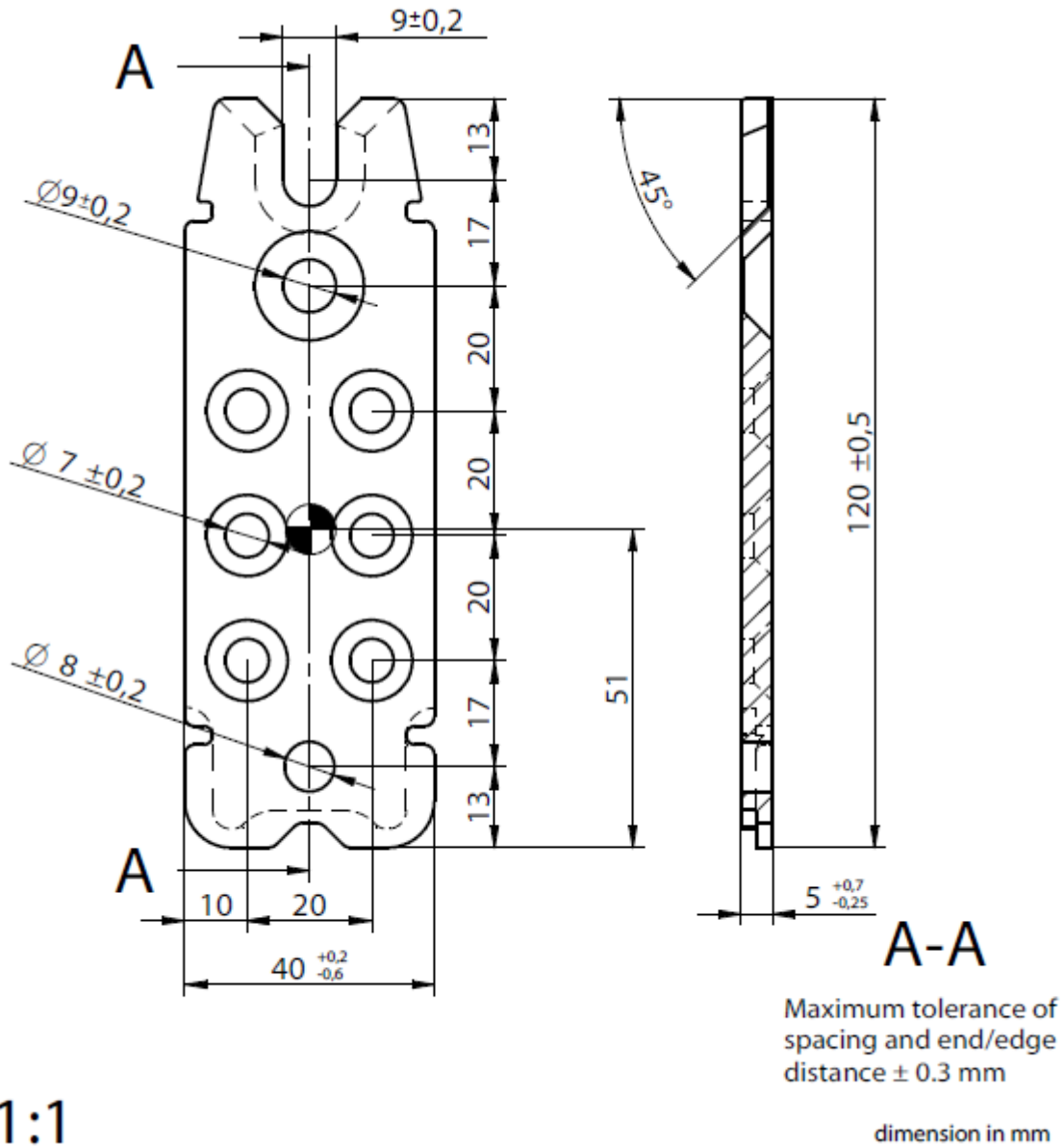


dimension in mm

KNAPP® Clip Connector RICON® 120/40

5.5 mm thick steel grade DD13 according to EN 10111:2008-06 with yield strength R_e of 235 MPa;
Corrosion protection according to Eurocode 5

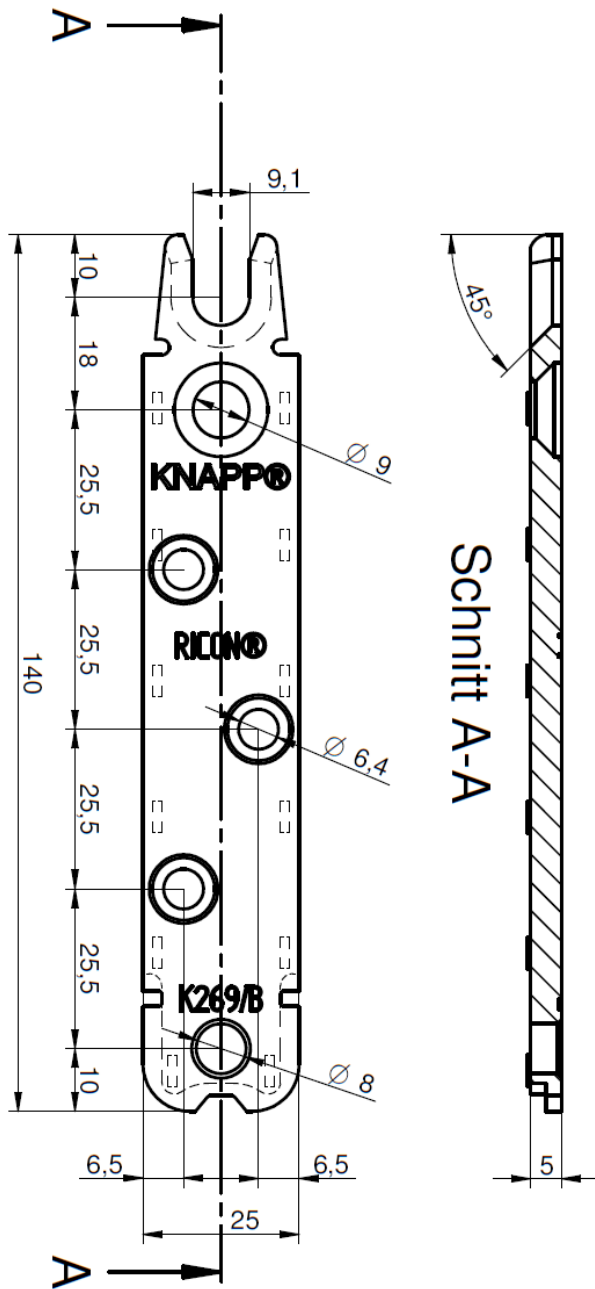
5.0 mm thick stainless steel grade GX5CrNi 19-10 (AISI304) with minimum yield strength R_e of 175 MPa



1:1

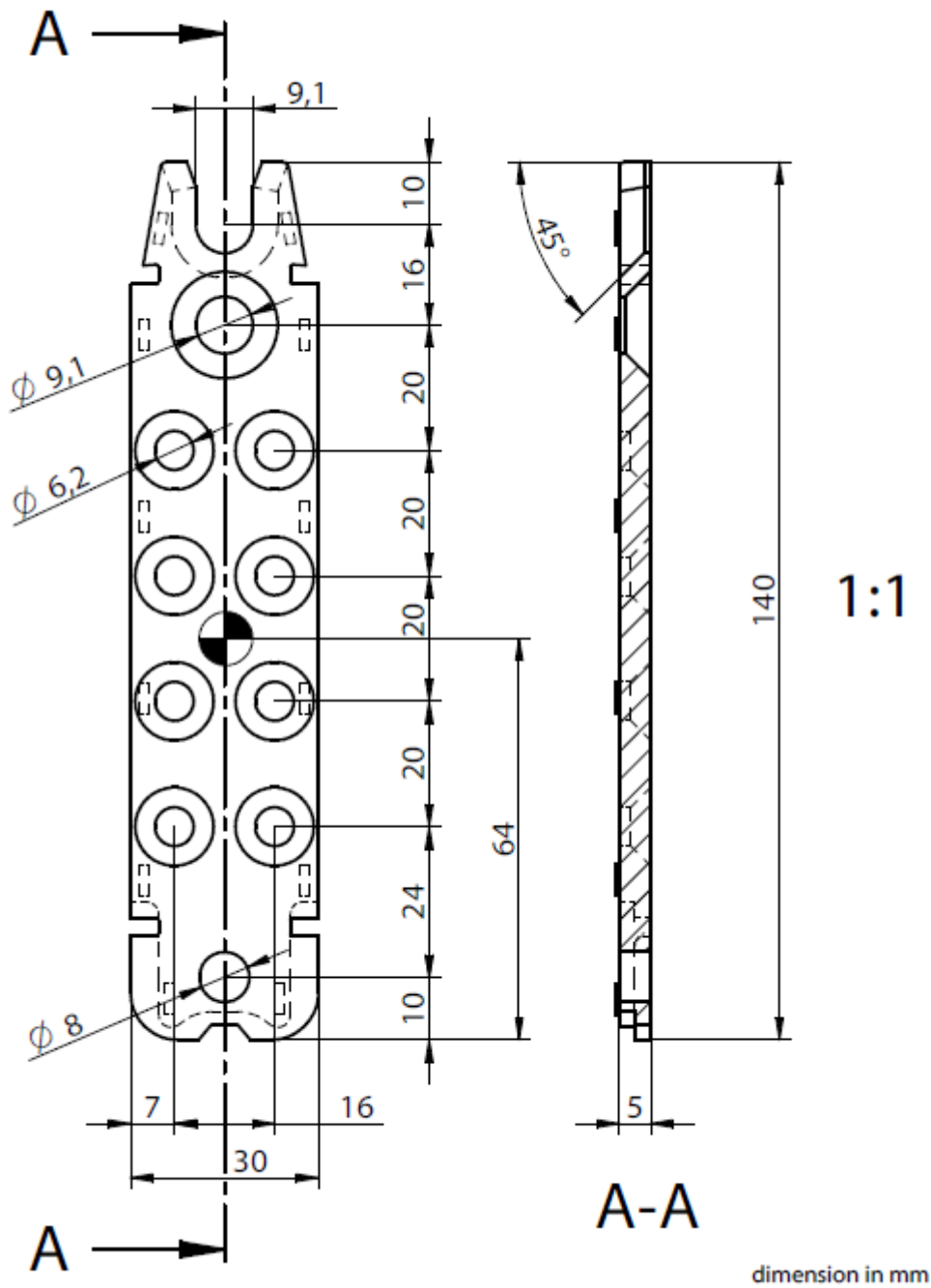
KNAPP® Clip Connector RICON® 140/25

5.0 mm thick stainless steel grade GX5CrNi 19-10 minimum yield strength R_e of 175 MPa



KNAPP® Clip Connector RICON® 140/30

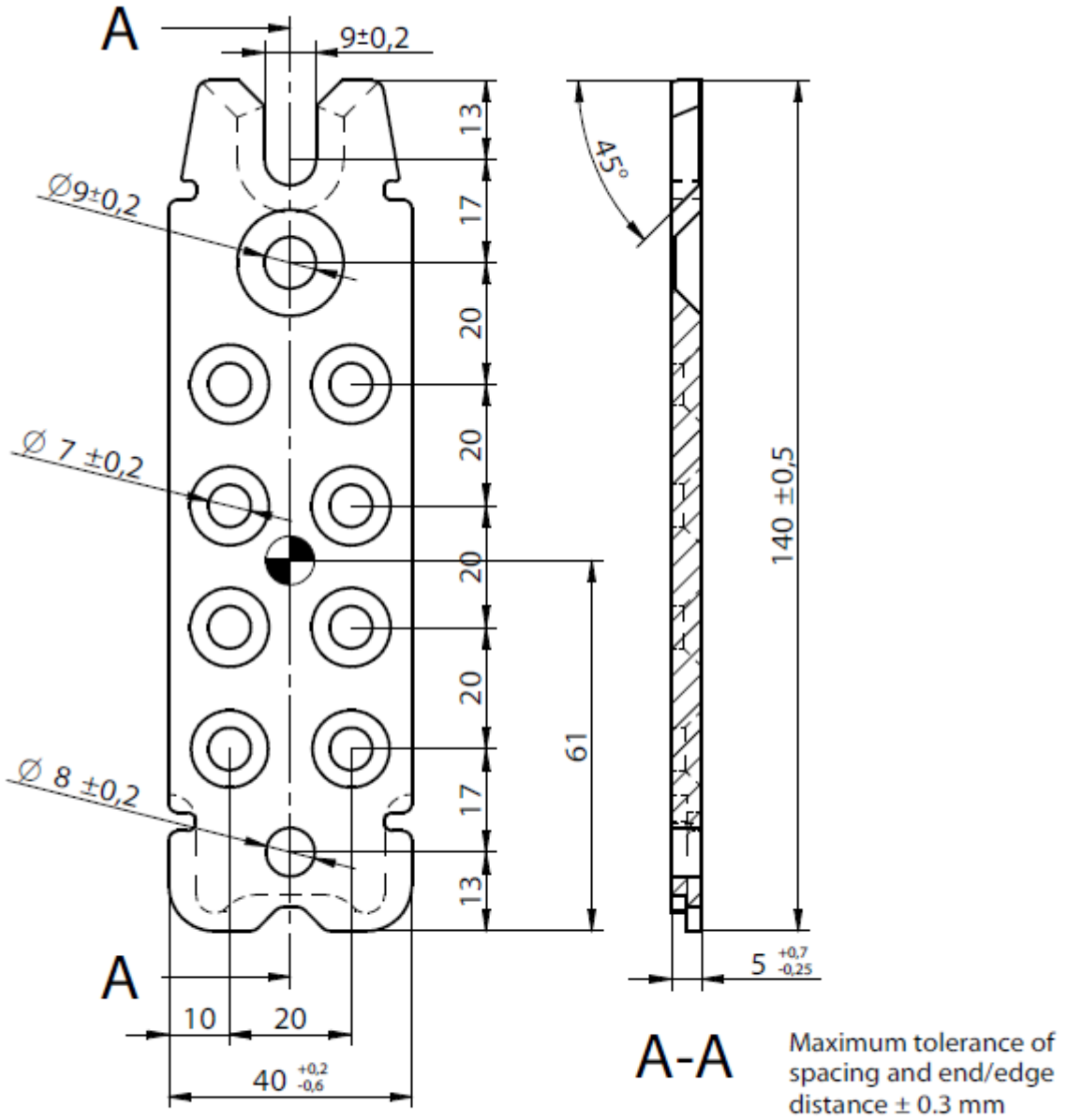
5.0 mm thick stainless steel grade GX5CrNi 19-10 (AISI304) with minimum yield strength R_e of 175 MPa



KNAPP® Clip Connector RICON® 140/40

5.5 mm thick steel grade DD13 according to EN 10111:2008-06 with yield strength R_e of 235 MPa;
Corrosion protection according to Eurocode 5

5.0 mm thick stainless steel grade GX5CrNi 19-10 (AISI304) with minimum yield strength R_e of 175 MPa

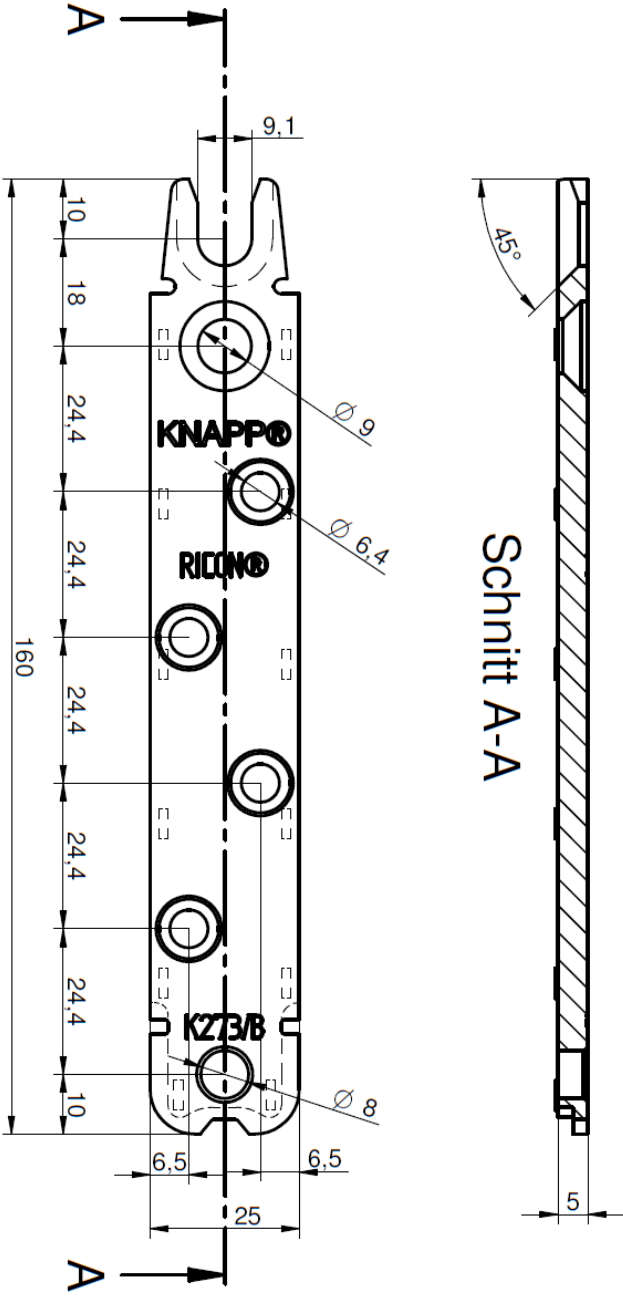


1:1

dimension in mm

KNAPP® Clip Connector RICON® 160/25

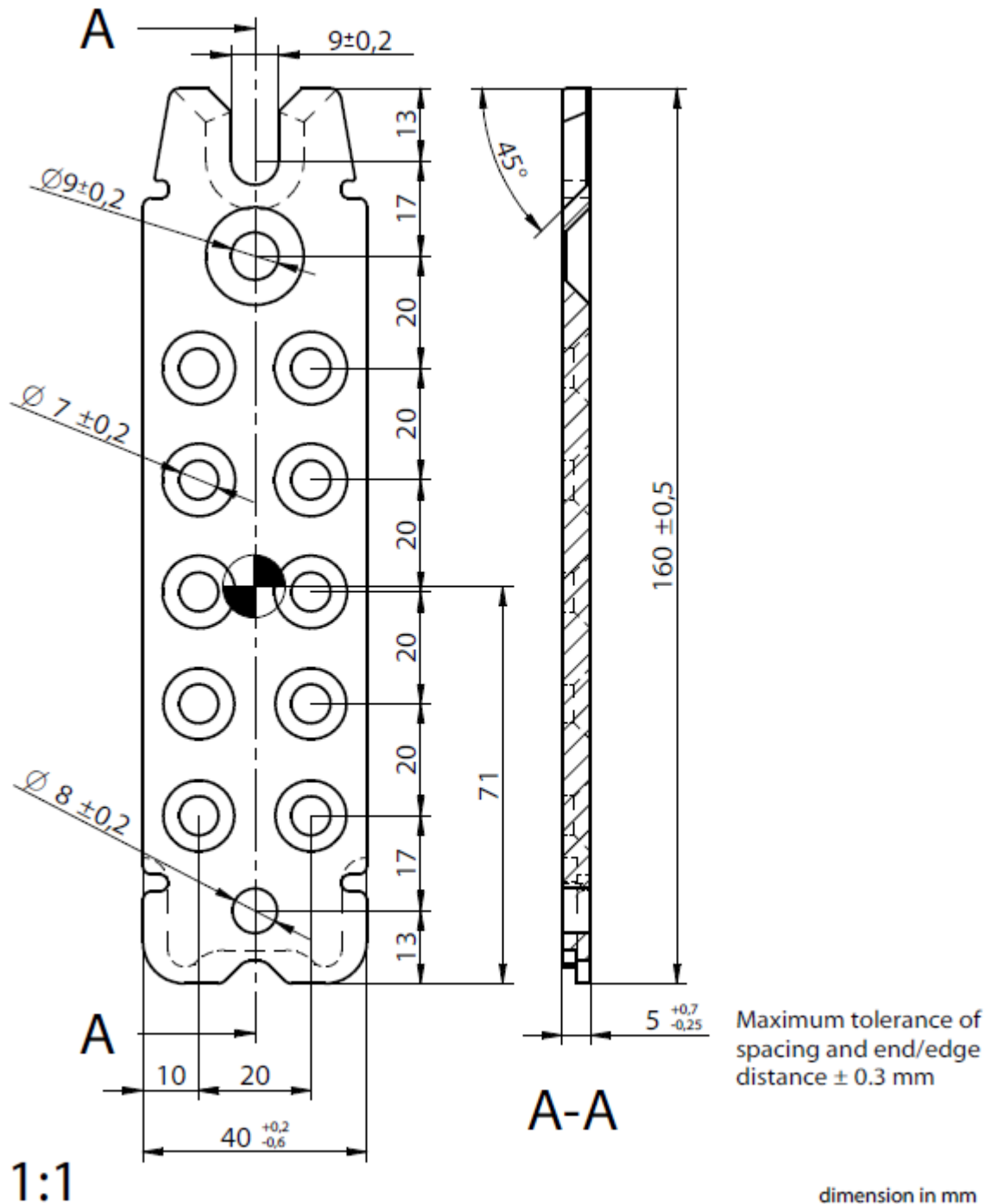
5.0 mm thick stainless steel grade GX5CrNi 19-10 minimum yield strength R_e of 175 MPa



KNAPP® Clip Connector RICON® 160/40

5.5 mm thick steel grade DD13 according to EN 10111:2008-06 with yield strength R_e of 235 MPa;
Corrosion protection according to Eurocode 5

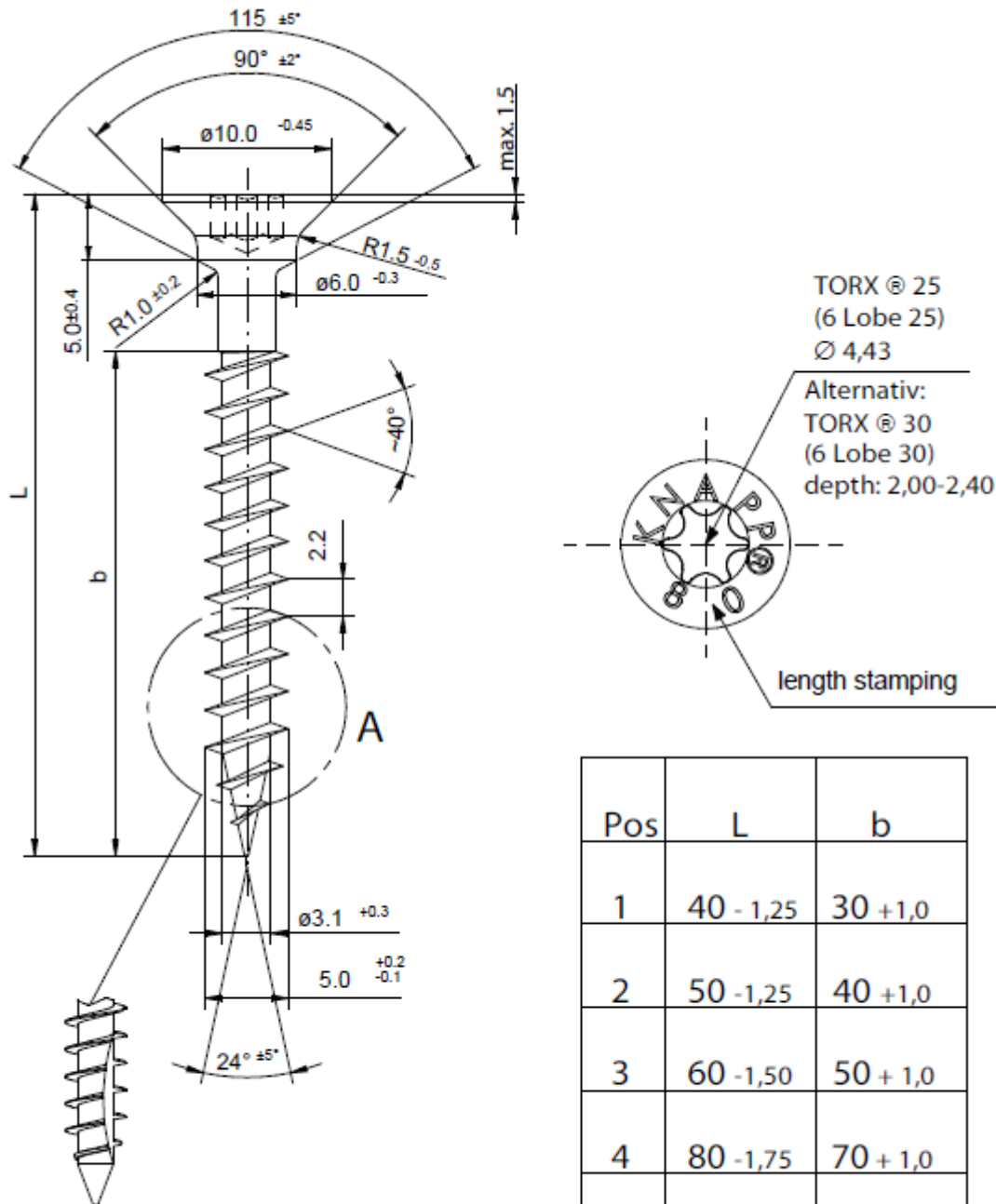
5.0 mm thick stainless steel grade GX5CrNi 19-10 (AISI304) with minimum yield strength R_e of 175 MPa



KNAPP® RICON® screw SK 5x40, SK 5x50, SK 5x60, SK 5x80, SK 5x120

Carbon steel screws according to EN 14592 manufactured minimum tension $f_{tens,k}$ of 7,5 kN, minimum torque $M_{t,u,k}$ of 6,0 Nm, minimum yield moment $M_{y,Rk}$ of 3,9 Nm
 Carbon screws corrosion protection according to Eurocode 5

Stainless steel screws according to X3CrNi17-8 manufactured minimum tension $f_{tens,k}$ of 5,0 kN, minimum torque $M_{t,u,k}$ of 4,0 Nm, minimum yield moment $M_{y,Rk}$ of 5,0 Nm

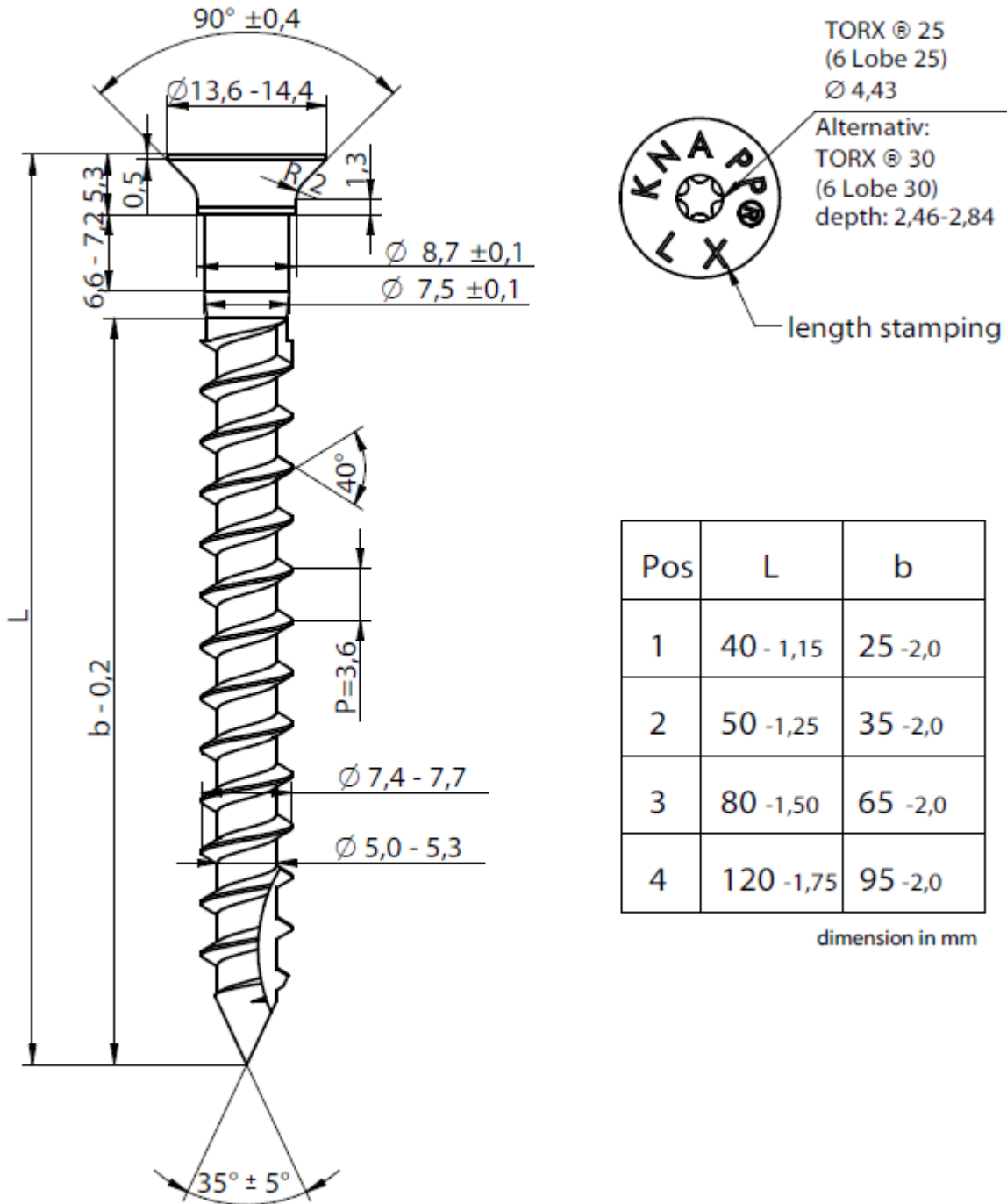


dimension in mm

KNAPP® RICON® screw SK 8x40, SK 8x50, SK 8x80, SK 8x120

Carbon steel screws according to EN 14592 manufactured minimum tension $f_{tens,k}$ of 15 kN, minimum torque $M_{t,u,k}$ of 20 Nm, minimum yield moment $M_{y,Rk}$ of 13,4 Nm
Carbon screws corrosion protection according to Eurocode 5

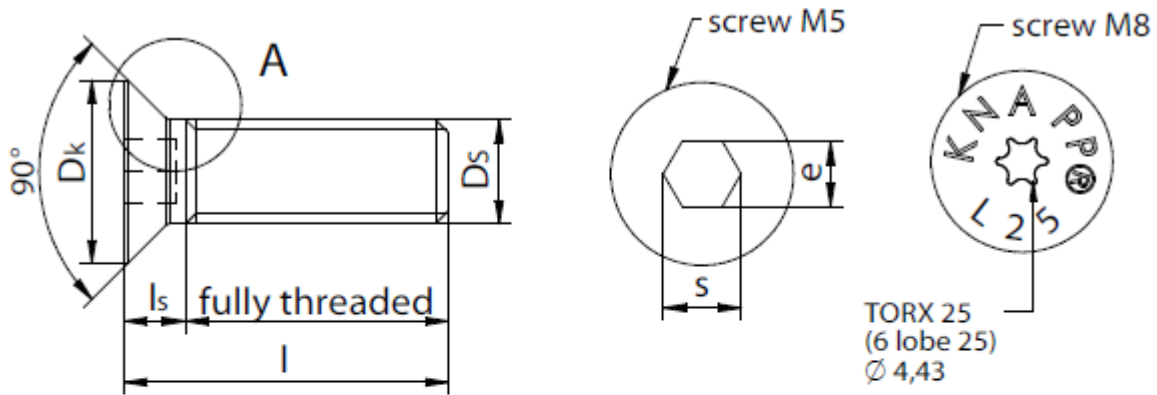
Stainless steel screws according to X3CrNiN17-8 manufactured minimum tension $f_{tens,k}$ of 15,0 kN, minimum torque $M_{t,u,k}$ of 18,0 Nm, minimum yield moment $M_{y,Rk}$ of 20,0 Nm



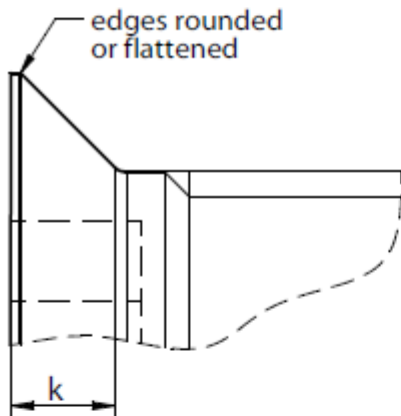
KNAPP® RICON® screw M5, M8 for DA and EAR

Screws according to ISO 10642 manufactured of steel grade 8.8 according to EN ISO 898-1;
Corrosion protection according to Eurocode 5

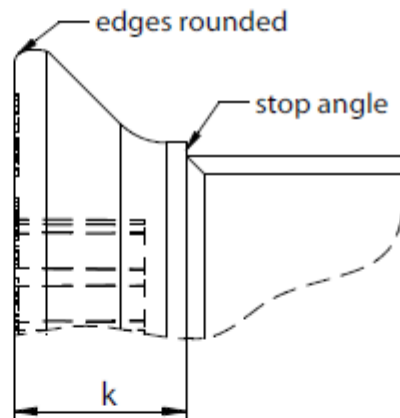
Stainless steel screws according to X3CrNi17-8



Detail A screw M5



Detail A screw M8



Carbon steel screws:

Typ	l	ls	Dk	Ds	k	e	s
M5x20	20 ± 0,5	3,1	10 ± 0,4	5 6g	3,1	3,5	3
M5x25	25 ± 0,5	3,1	10 ± 0,4	5 6g	3,1	3,5	3
M8x20	20 ± 0,5	6,7	15,2 ± 0,4	8 6g	5,0	5,8	5
M8x25	25 ± 0,5	7,8	14 ± 0,4	8 6g	5,3	TORX® 25, ∅ 4,43	

Stainless steel screws:

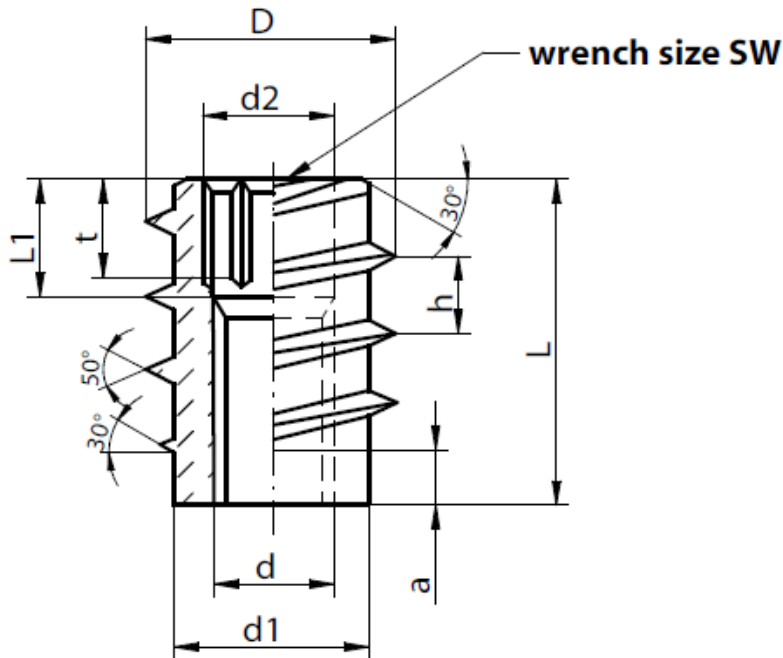
Typ	l	ls	Dk	Ds	k	e	s
M5x16	16 ± 1,0	5,0 + 0,5	10 - 0,45	5 6g	2,65 ± 0,2	TORX® 25, ∅ 4,43	
M8x18	18 ± 1,0	5,0 + 0,5	12 - 0,45	8 6g	2,65 ± 0,3	TORX® 25, ∅ 4,43	

dimension in mm

KNAPP® RICON® insert

Steel grade 11SMnPb30 according to EN 10087 or EN 10277-3 with yield strength R_{eH} of 440 MPa, tensile strength R_m of 560 MPa, maximum tensile strength R_m of 810 and ultimate strain A80 of 6% for inside/outside thread nut M5 or with yield strength R_{eH} of 410 MPa, tensile strength R_m of 510 MPa, maximum tensile strength R_m of 760 and ultimate strain A80 of 7% for inside/outside thread nut M8;

Corrosion protection according to Eurocode 5

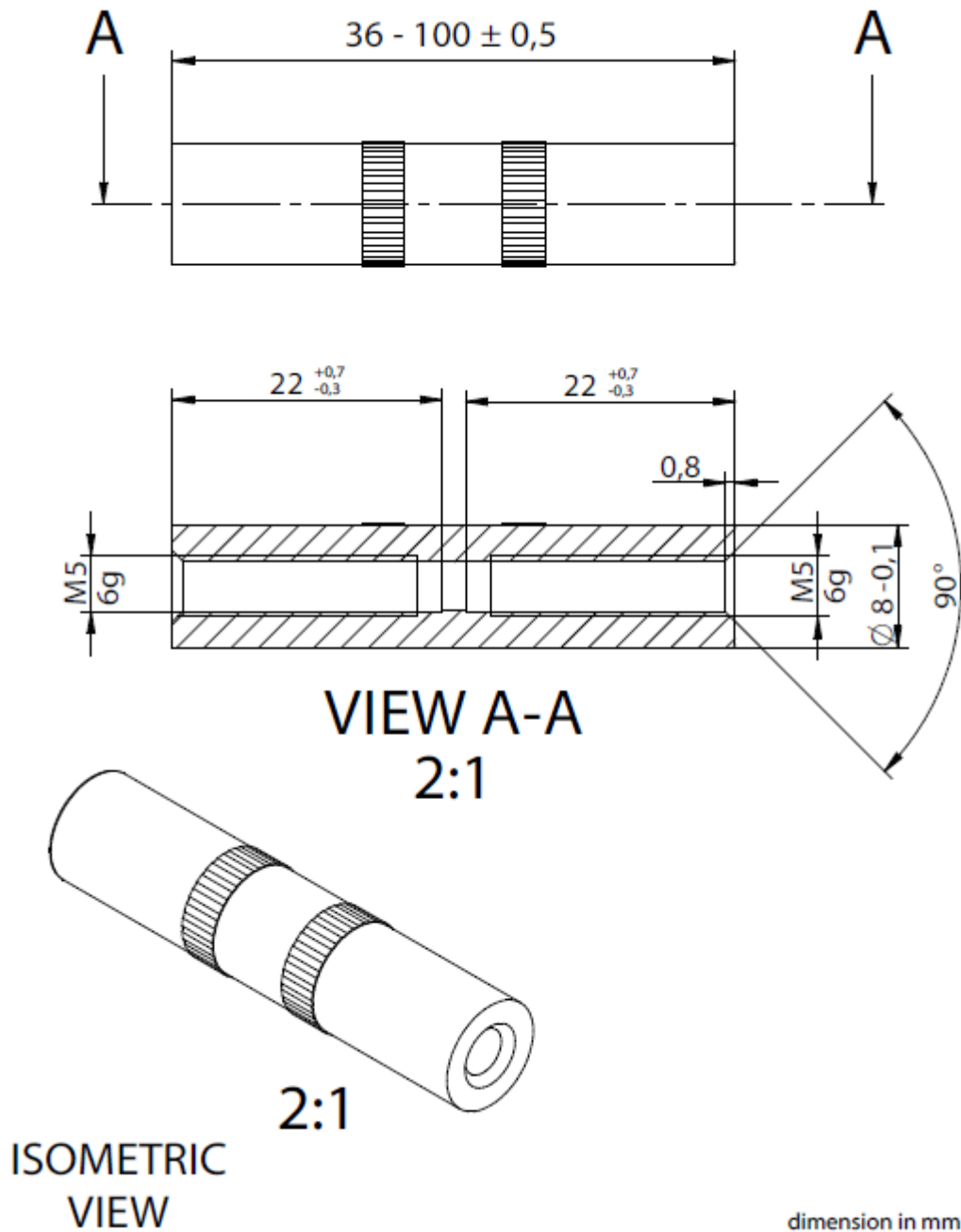


D	L	d	d1	d2	L1	SW	t	h	a
10 ± 0,3	14 ± 0,3	M5 6g	7,5 ± 0,3	5,25 ± 0,2	5 ± 0,5	5	4 ± 0,5	3 ± 0,2	2 ± 0,3
14 ± 0,3	18 ± 0,3	M8 6g	11,5 ± 0,3	8,4 ± 0,2	6 ± 0,5	8	5 ± 0,5	3,5 ± 0,2	3 ± 0,3

dimensions in mm

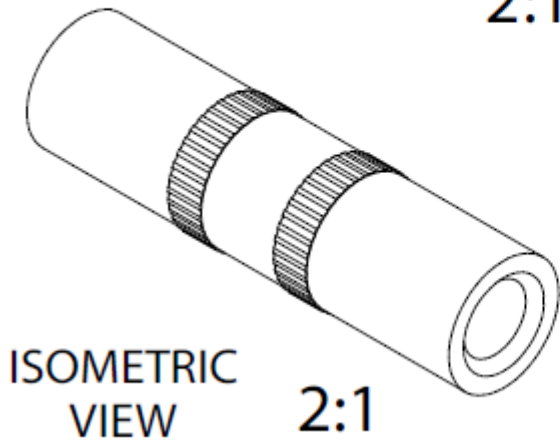
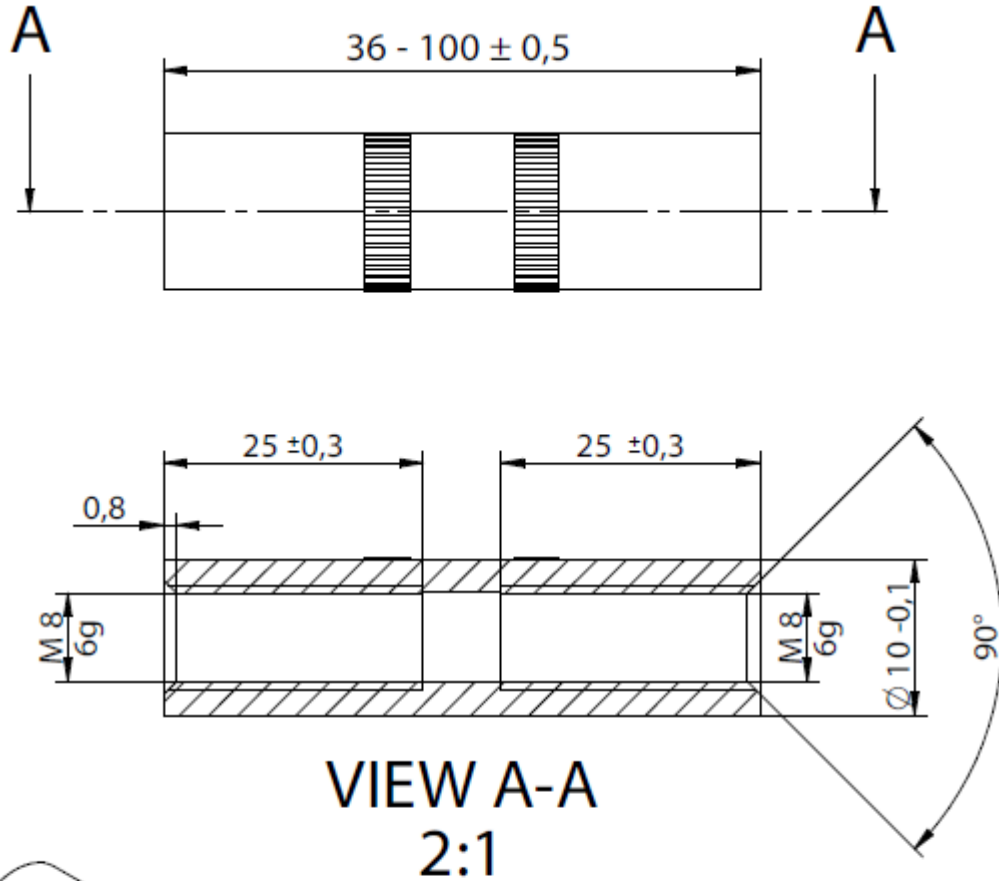
KNAPP® RICON® connection nut M5 for RICON® 60/40 DA

Steel grade 11SMnPb30 according to EN 10087 or EN 10277-3 with yield strength R_{eH} of 440 MPa, tensile strength R_m of 560 MPa, maximum tensile strength R_m of 810 and ultimate strain A80 of 6%;
Corrosion protection according to Eurocode 5 ($\geq 5 \mu\text{m}$ zinc coating);



KNAPP® RICON® connection nut M8 for RICON® DA

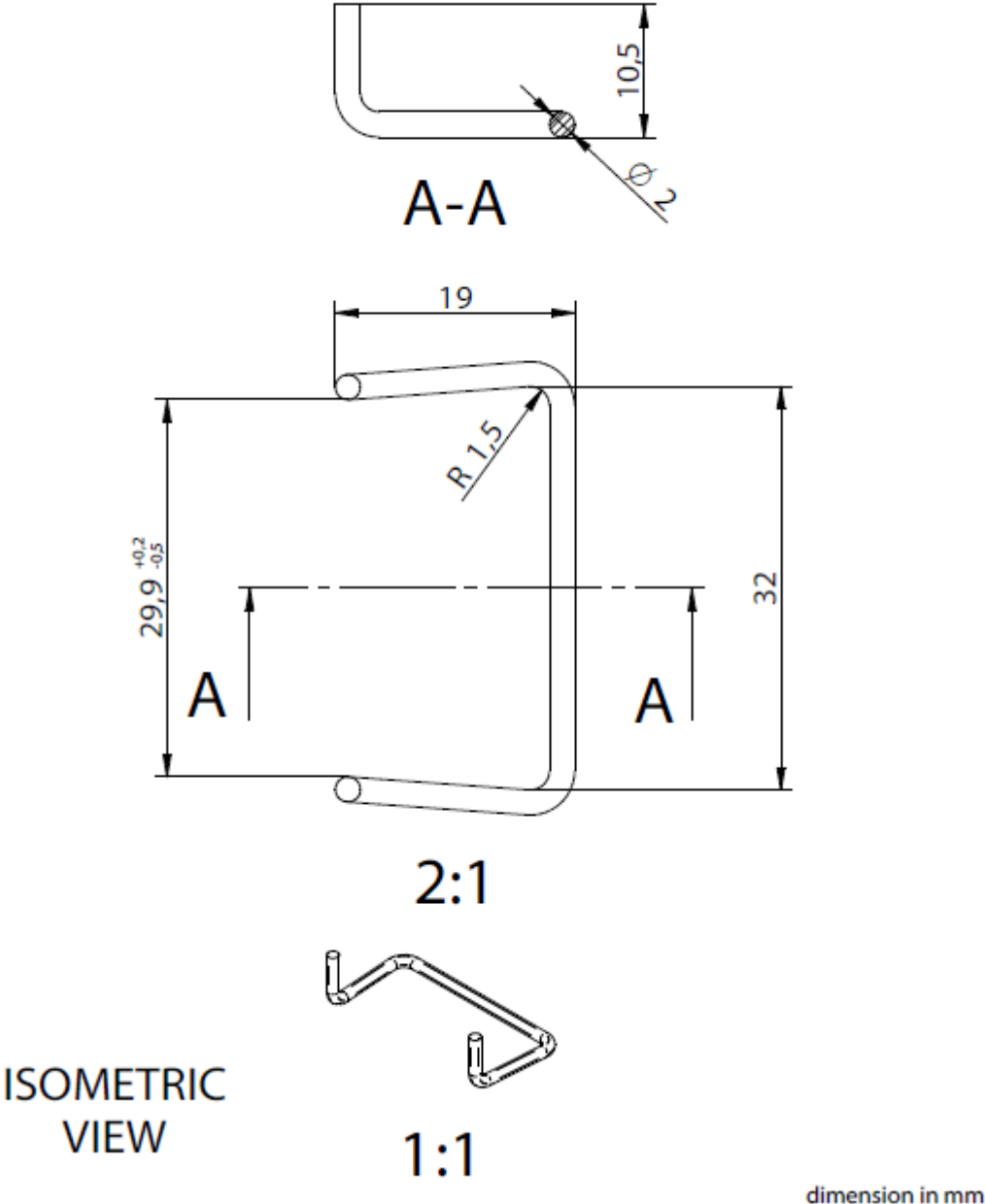
Steel grade 11SMnPb30 according to EN 10087 or EN 10277-3 with yield strength R_{eH} of 440 MPa, tensile strength R_m of 560 MPa, maximum tensile strength R_m of 810 and ultimate strain A80 of 6%;
Corrosion protection according to Eurocode 5 ($\geq 5 \mu\text{m}$ zinc coating);



dimension in mm

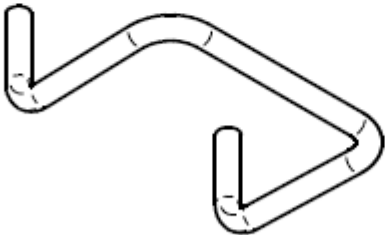
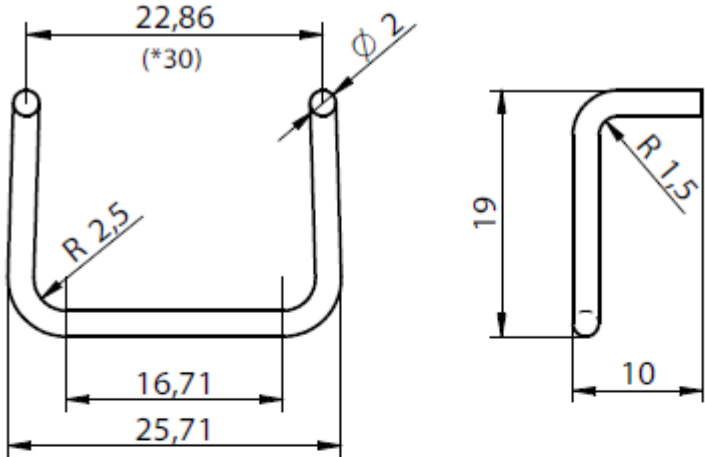
KNAPP® RICON® 40 Locking clip

2.0 mm thick stainless steel wire grade X10CrNi18-8 according to EN 10088-1 with tensile strength R_m of 1700 MPa and tensile strength R_m of 1950 MPa



KNAPP® RICON® 30 Locking clip

2.0 mm thick stainless steel wire grade X10CrNi 18-8 (AISI 302, material No. 1.4310) according to EN 10088-1 with tensile strength R_m of 1700 MPa and tensile strength R_m of 1950 MPa

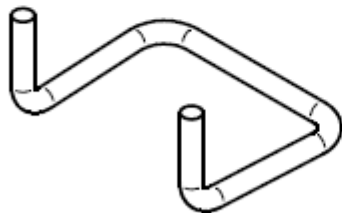
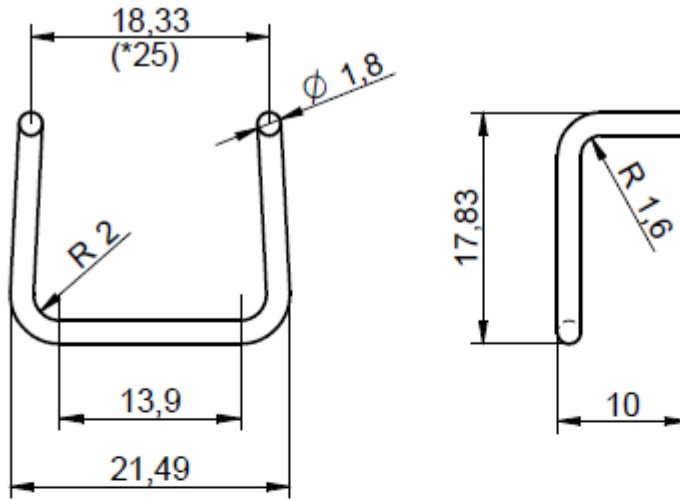


ISOMETRIC
VIEW

dimension in mm

KNAPP® RICON® 25 Locking clip

1,8 mm thick stainless steel wire grade X10CrNi 18-8 (AISI 302, material No. 1.4310) according to EN 10270-3 with tensile strength R_m of 1700 MPa and tensile strength R_m of 1960 MPa



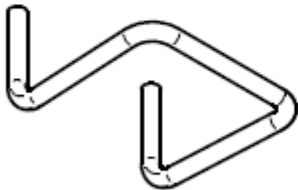
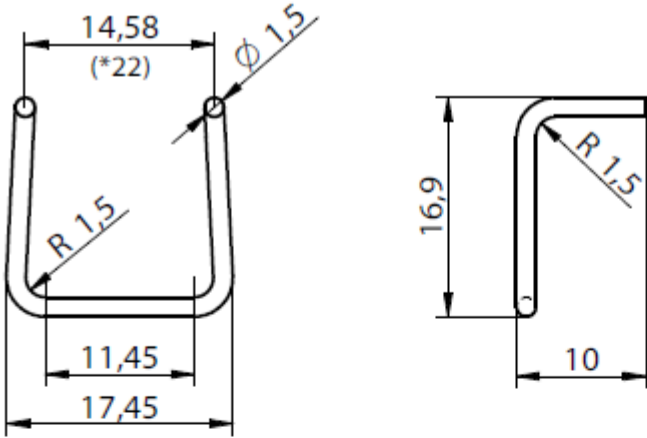
ISOMETRIC
VIEW

2:1

Dimensions in mm

KNAPP® RICON® 20 Locking clip

1,5 mm thick stainless steel wire grade X10CrNi 18-8 (AISI 302, material No. 1.4310) according to EN 10088-1 with tensile strength R_m of 1700 MPa and tensile strength R_m of 1950 MPa

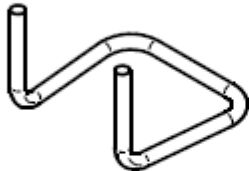
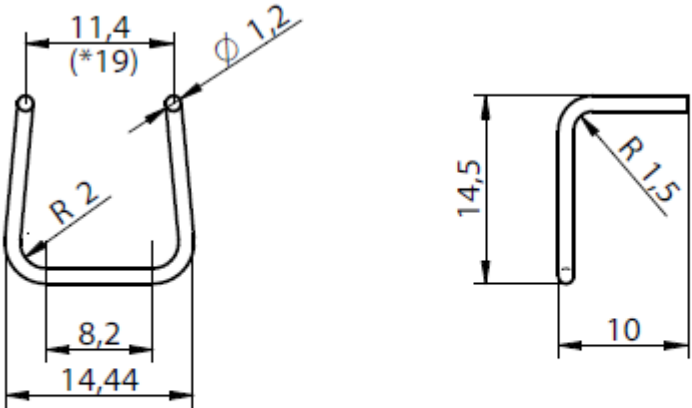


ISOMETRIC
VIEW

dimension in mm

KNAPP® RICON® 16 Locking clip

1.2 mm thick carbon steel according to EN 10270/1 with minimum tensile strength R_m of 2170 MPa and maximum tensile strength R_m of 2400 MPa
Corrosion protection according to Eurocode 5

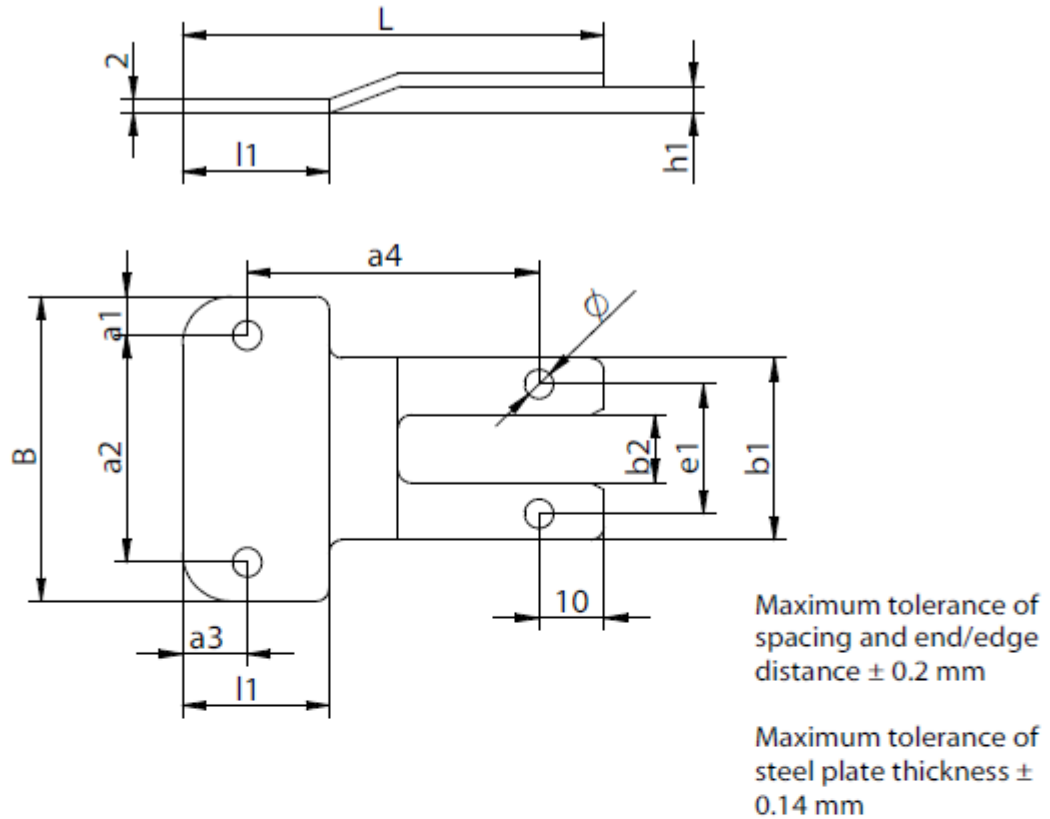


ISOMETRIC
VIEW

dimension in mm

KNAPP® RICON® single reinforcing plate

2.0 mm thick stainless steel wire grade X5CrNi18-10 according to EN 10088-2



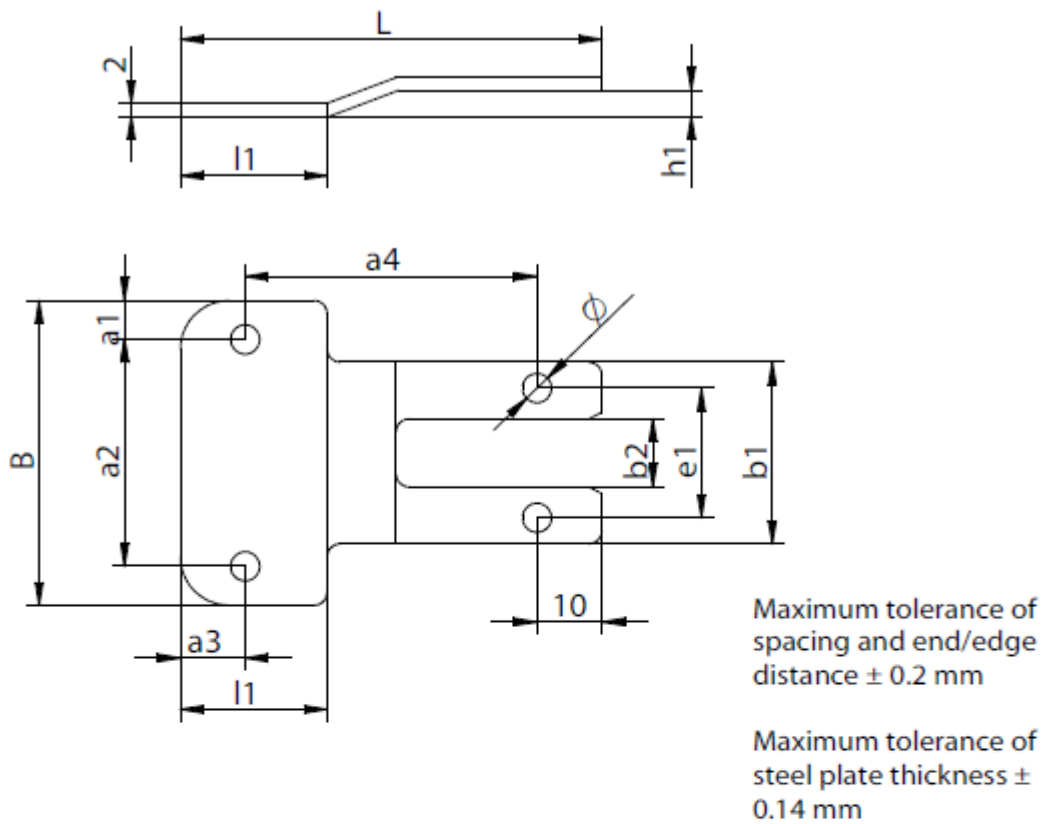
Dimension of reinforcement plates	basic profile by producer						
	esco Metallbausysteme GmbH *				Hermann Gutmann Werke AG		
	FWT50	FWT50	FWT55	FWT55	P GF 50	P GF 60	P GF 80
Approval:	Z-14.4-480				Z-14.4-501, Z-14.4-502		
post / header-size H [mm]	50	60	55 - 60	80	50	60	80
B [mm]	47 ± 0,1	47 ± 0,1	47 ± 0,1	47 ± 0,1	47 ± 0,1	47 ± 0,1	65 ± 0,1
L [mm]	65 ± 0,1	70 ± 0,1	70 ± 0,1	80 ± 0,1	65 ± 0,1	70 ± 0,1	80 ± 0,1
b1 [mm]	28 ± 0,1	28 ± 0,1	28 ± 0,1	28,5 ± 0,1	28 ± 0,1	34 ± 0,1	50 ± 0,1
b2 [mm]	10,5 ± 0,1	10,5 ± 0,1	10,5 ± 0,1	10,5 ± 0,1	10,5 ± 0,1	10 ± 0,1	11 ± 0,1
l1 [mm]	22,6 ± 0,1	29,6 ± 0,1	29,6 ± 0,1	39,6 ± 0,1	22,6 ± 0,1	29,6 ± 0,1	37,6 ± 0,1
a1 [mm]	6	6	6	6	6	6	6
a2 [mm]	35	35	35	35	35	35	53
a3 [mm]	10	10	10	10	10,25	12,5	17,5
a4 [mm]	45	45	50	60	44,75	47,5	52,5
e1 [mm]	20,5	20,5	20,5	20,5	21	25	35
h1 [mm]	4	4	4	4	4,5	4,5	4,5

* new company name RP-Technik since 2013

dimension in mm

KNAPP® RICON® single reinforcing plate

2.0 mm thick stainless steel wire grade X5CrNi18-10 according to EN 10088-2

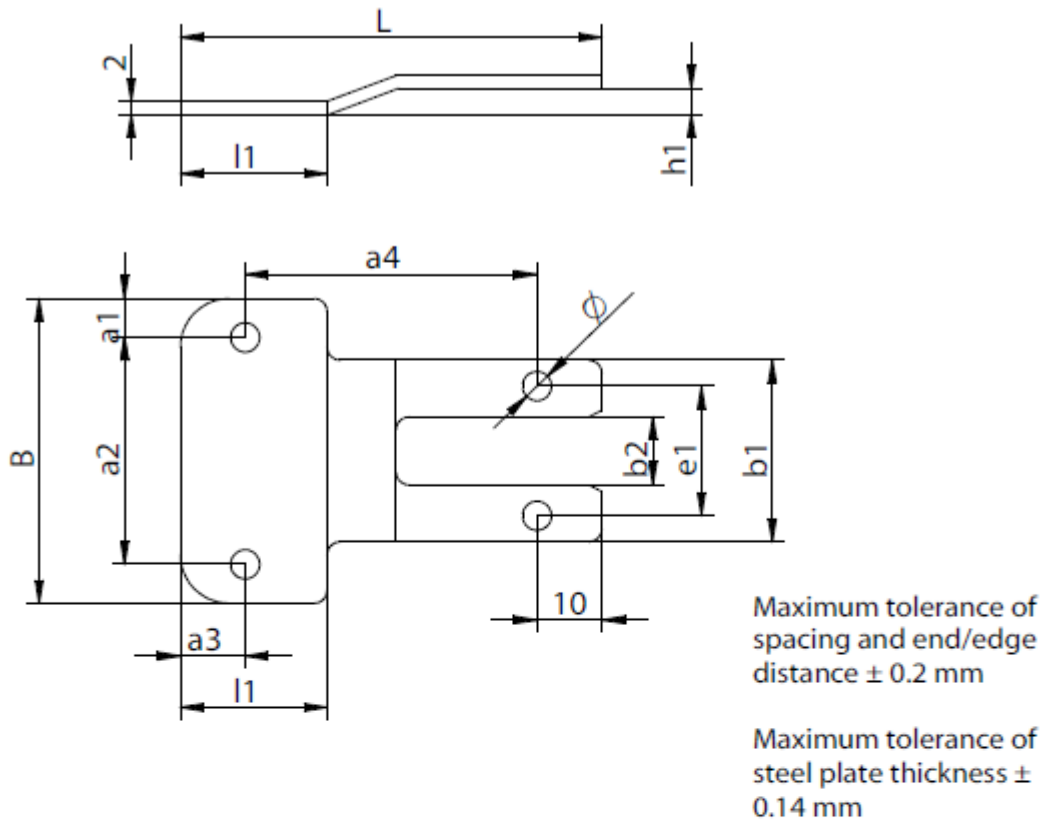


dimension of reinforcement plates	basic profiles by producer			
	RAICO Bautechnik GmbH			
	41/40	41/40	47/40	67/60
Approval:	Z-14.4-516 / ETA-13/0765			
post / header - size H [mm]	50	60	60	80
B [mm]	$47 \pm 0,1$	$47 \pm 0,1$	$47 \pm 0,1$	$65 \pm 0,1$
L [mm]	$65 \pm 0,1$	$70 \pm 0,1$	$70 \pm 0,1$	$80 \pm 0,1$
b1 [mm]	$28 \pm 0,1$	$28 \pm 0,1$	$28 \pm 0,1$	$50 \pm 0,1$
b2 [mm]	$11,5 \pm 0,1$	$11,5 \pm 0,1$	$11,5 \pm 0,1$	$11,5 \pm 0,1$
l1 [mm]	$24,6 \pm 0,1$	$29,6 \pm 0,1$	$29,6 \pm 0,1$	$37,6 \pm 0,1$
a1 [mm]	6	6	6	6
a2 [mm]	35	35	35	53
a3 [mm]	10	10	10	10
a4 [mm]	45	50	50	60
e1 [mm]	20	20	20	20
h1 [mm]	4,5	4,5	4,5	4,5

dimension in mm

KNAPP® RICON® single reinforcing plate

2.0 mm thick stainless steel wire grade X5CrNi18-10 according to EN 10088-2

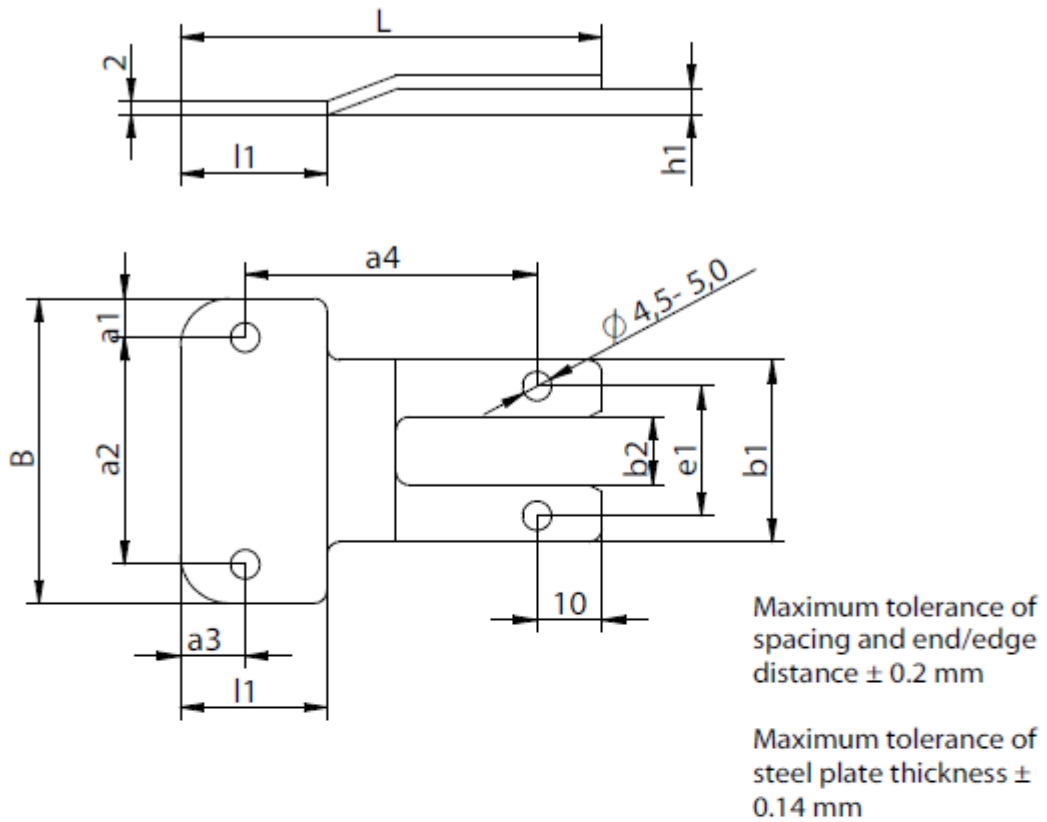


Dimension of reinforcement plates	basic profiles by producer				
	SCHÜCO International KG				
	FW50	FW50	FW60	FW60	FW60
Approval:	Zulassung Z-14.4-745				
post / header - size H [mm]	50	55	60	65	68
B [mm]	47 ± 0,1	47 ± 0,1	47 ± 0,1	47 ± 0,1	47 ± 0,1
L [mm]	63 ± 0,1	65,5 ± 0,1	68 ± 0,1	70,5 ± 0,1	72 ± 0,1
b1 [mm]	30,5 ± 0,1	30,5 ± 0,1	30,5 ± 0,1	30,5 ± 0,1	30,5 ± 0,1
b2 [mm]	10,5 ± 0,1	10,5 ± 0,1	10,5 ± 0,1	10,5 ± 0,1	10,5 ± 0,1
l1 [mm]	22,6 ± 0,1	25,1 ± 0,1	27,6 ± 0,1	30,1 ± 0,1	31,6 ± 0,1
a1 [mm]	6	6	6	6	6
a2 [mm]	35	35	35	35	35
a3 [mm]	8	8	8	8	8
a4 [mm]	45	47,5	50	52,5	54
e1 [mm]	20	20	20	20	20
h1 [mm]	5	5	5	5	5

dimension in mm

KNAPP® RICON® single reinforcing plate

2.0 mm thick stainless steel wire grade X5CrNi18-10 according to EN 10088-2

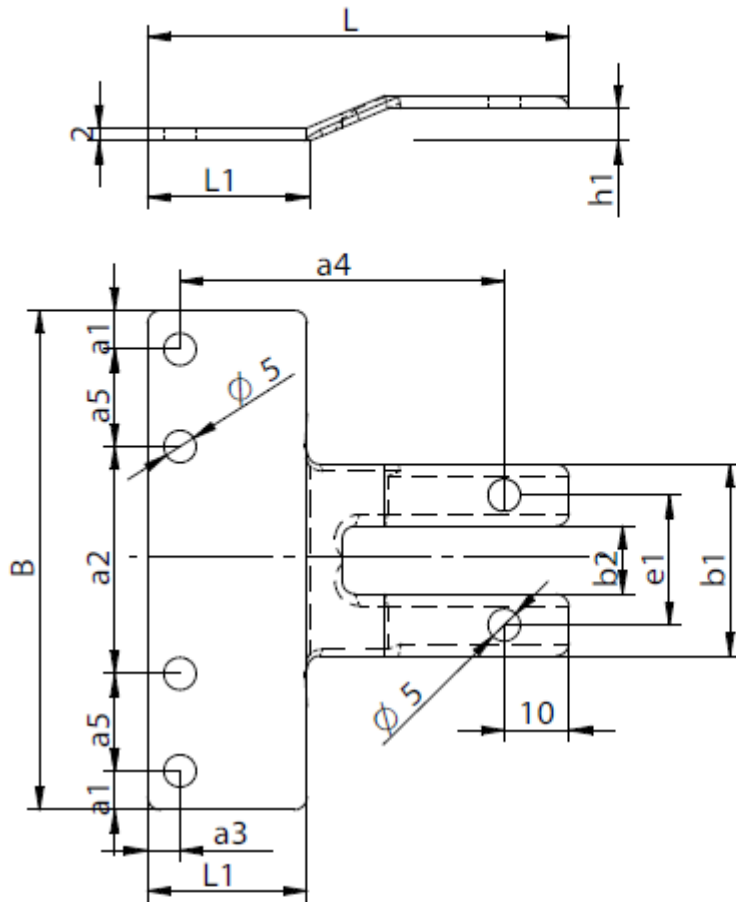


Dimension of reinforcement plates	Minimum dimensions of the reinforcing plate with the same load capacity for another ALU profiles depending on the post thickness			
post / header - size H [mm]	50	55	60	80
B [mm]	47 ± 0,1			
L [mm]	63 ± 0,1	65 ± 0,1	68 ± 0,1	70 ± 0,1
b1 [mm]	28 ± 0,1			
b2 [mm]	10 ± 0,1			
l1 [mm]	22,5 ± 0,1	25 ± 0,1	27,5 ± 0,1	37,5 ± 0,1
a1 [mm]	6			
a2 [mm]	35			
a3 [mm]	10			
a4 [mm]	43	47,5	50	52,5
e1 [mm]	20			
h1 [mm]	4			

dimension in mm

KNAPP® RICON® single reinforcing plate

2.0 mm thick stainless steel wire grade X5CrNi18-10 according to EN 10088-2



Maximum tolerance of spacing and end/edge distance ± 0.2 mm

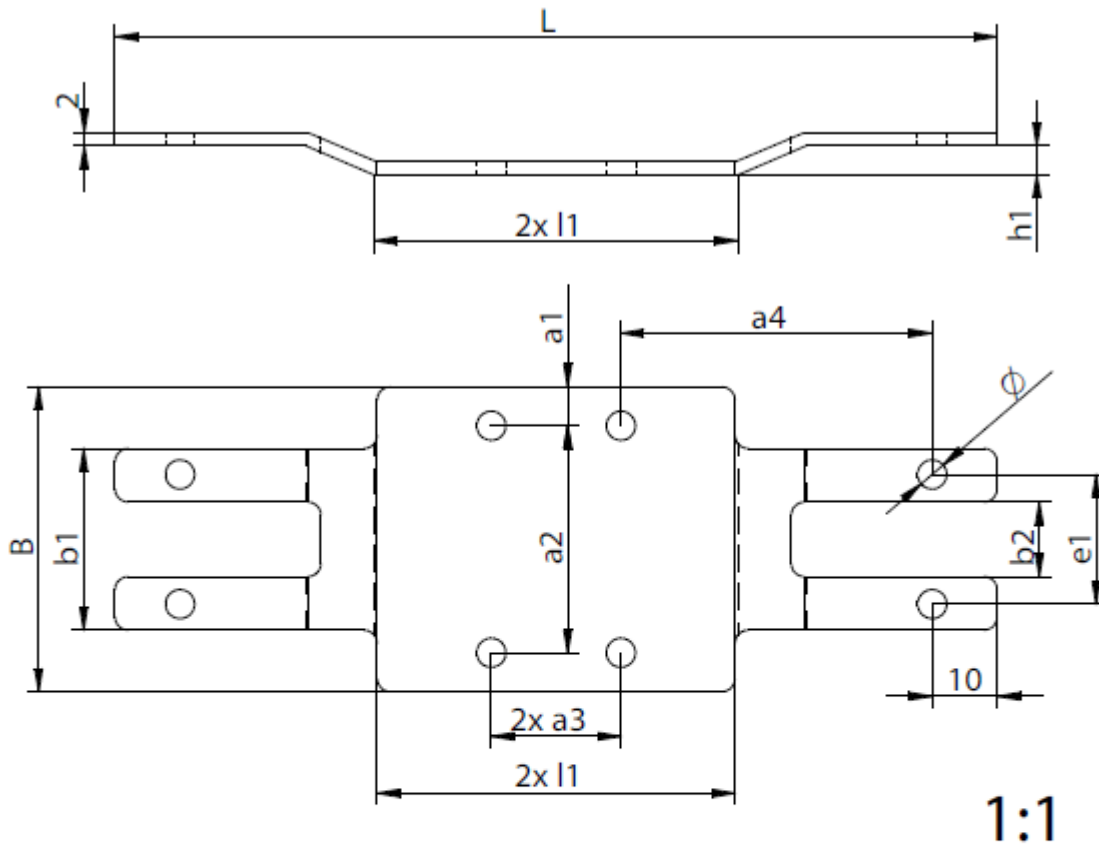
Maximum tolerance of steel plate thickness ± 0.14 mm

Dimension of reinforcement	basic profiles by producer		
	Batimet		
	TM50	TM60	TM80
Approval:			
post / header - size H [mm]	50	60	80
B [mm]	77 \pm 0,1		
L [mm]	60 \pm 0,1	65 \pm 0,1	75 \pm 0,2
b1 [mm]	29,5 \pm 0,1		57,5 \pm 0,2
b2 [mm]	10,5 \pm 0,1		
l1 [mm]	19,6 \pm 0,1	24,6 \pm 0,1	34,6 \pm 0,2
a1 [mm]	6		
a2 [mm]	35		
a3 [mm]	5		18
a4 [mm]	45	50	47
a5 [mm]	15		
e1 [mm]	20		46
h1 [mm]	5		

dimension in mm

KNAPP® RICON® double reinforcing plate

2.0 mm thick stainless steel wire grade X5CrNi18-10 according to EN 10088-2



dimension of reinforcement plates	basic profiles by producer
	see single reinforcement plate

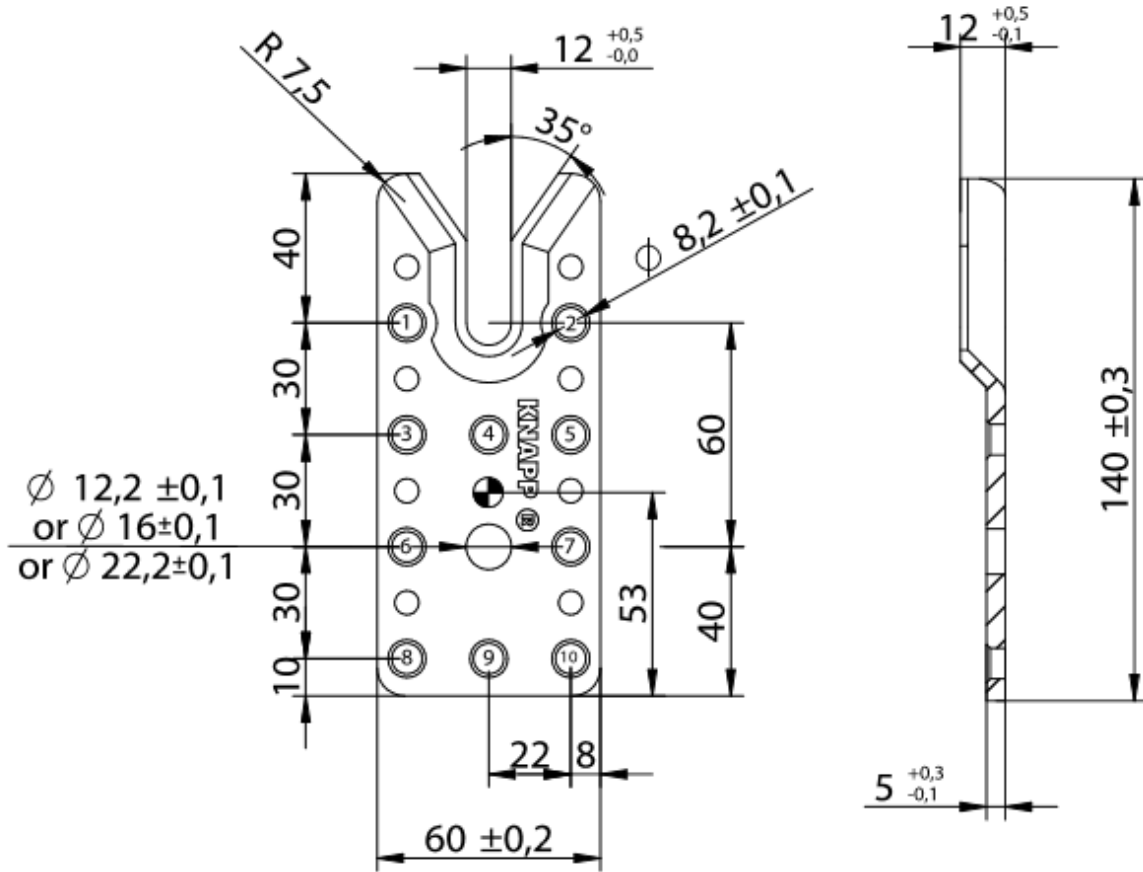
Maximum tolerance of spacing and end/edge distance ± 0.2 mm

Maximum tolerance of steel plate thickness ± 0.14 mm

dimension in mm

KNAPP® Clip Connector RICON® S 140/60 EK, GK, VK

5.2 mm thick steel grade DD13 according to EN 10111:2008-06 with yield strength R_e of 235 MPa;
Corrosion protection according to Eurocode 5-1-1

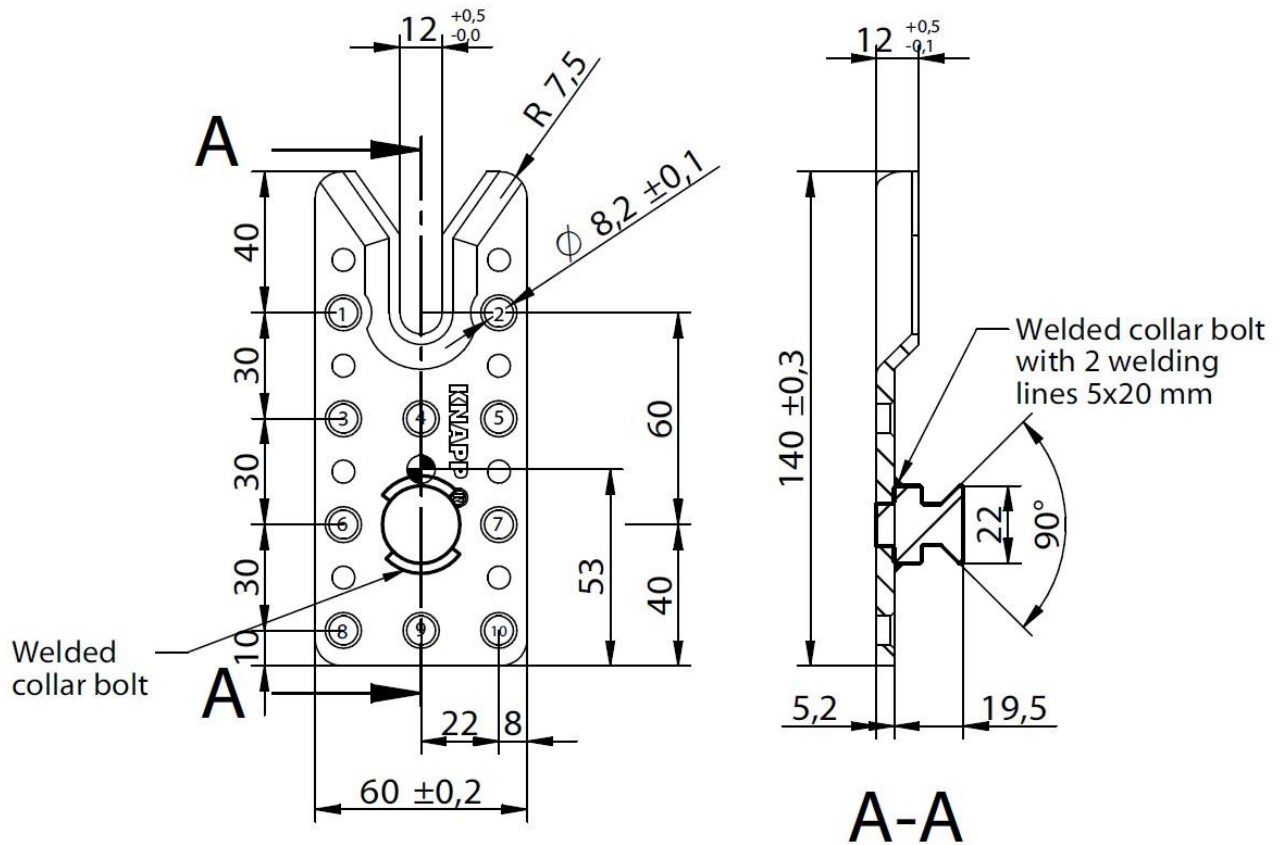


☒ Centre of gravity of screw pattern
Screw holes: Spacing and end/edge distance tolerance $\pm 0,2$

10 screws in Header / Joist

KNAPP® Clip Connector RICON® S 140/60 VS

5.2 mm thick steel grade DD13 according to EN 10111:2008-06 with yield strength R_e of 235 MPa;
Corrosion protection according to Eurocode 5-1-1



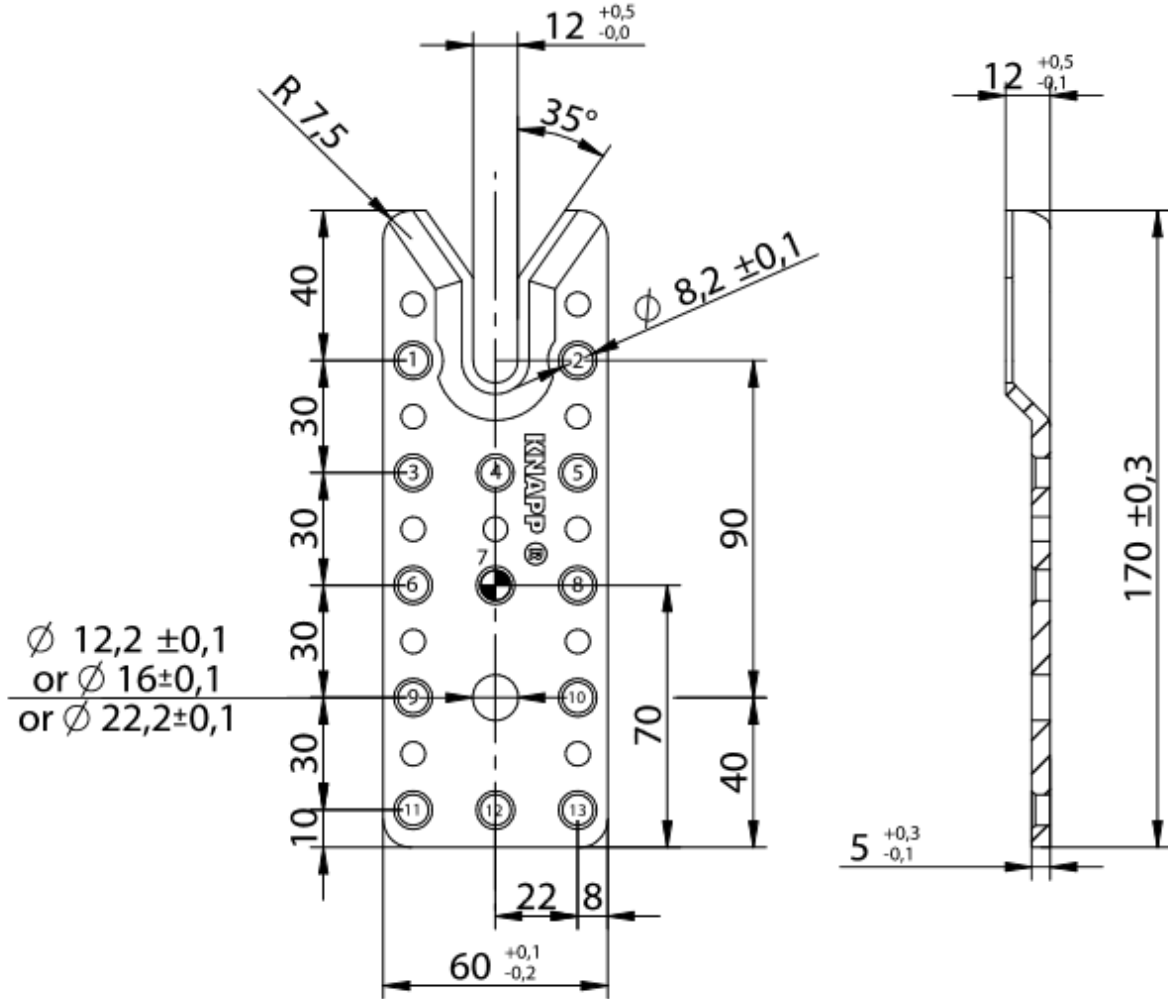
☉ Centre of gravity of screw pattern
Screw holes: Spacing and end/edge distance tolerance $\pm 0,2$
Welded collar bolt with 2 welding lines 5x20 mm

10 screws in Header / Joist

Screws in Column: Pattern 1: 1, 2, 4, 6, 7, 9;
Pattern 2: 1, 2, 4, 6, 7, 8, 9, 10

KNAPP® Clip Connector RICON® S 170/60 EK, GK, VK

5.2 mm thick steel grade DD13 according to EN 10111:2008-06 with minimum yield strength R_e of 235 MPa; Corrosion protection according to Eurocode 5-1-1

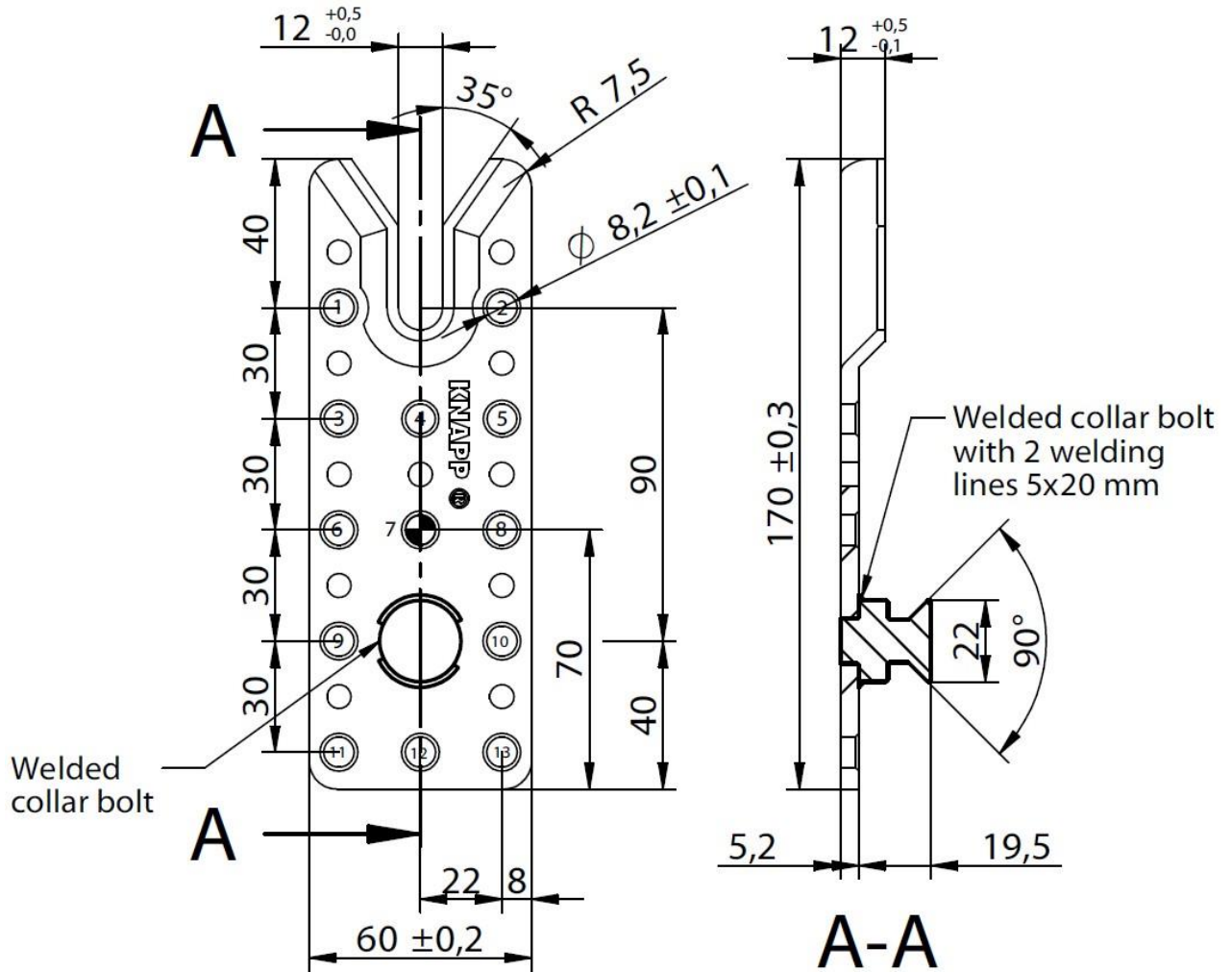


☉ Centre of gravity of screw pattern
 Screw holes: Spacing and end/edge distance tolerance $\pm 0,2$

13 screws in Header / Joist

KNAPP® Clip Connector RICON® S 170/60 VS

5.2 mm thick steel grade DD13 according to EN 10111:2008-06 with yield strength R_e of 235 MPa;
Corrosion protection according to Eurocode 5-1-1

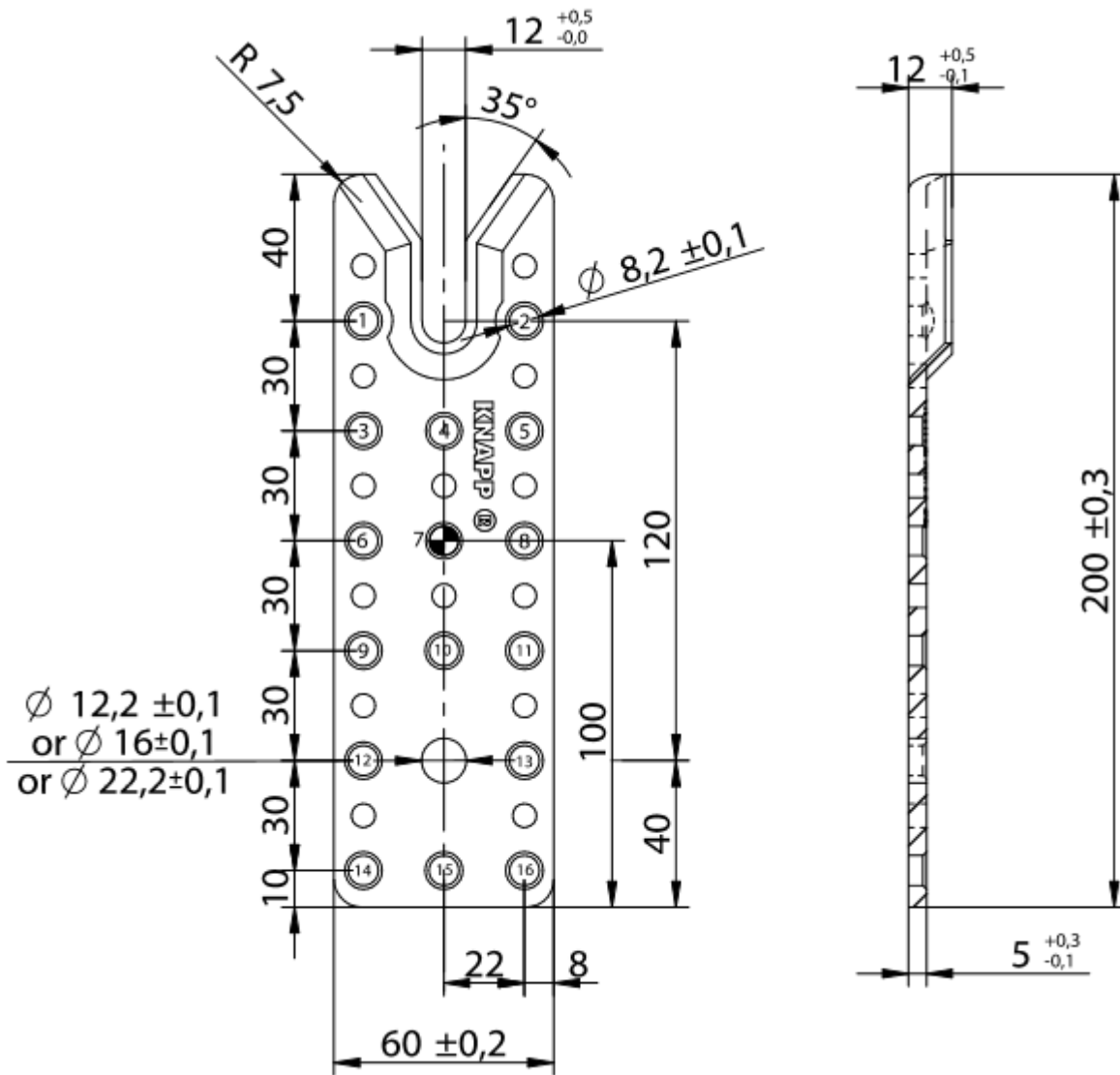


☉ Centre of gravity of screw pattern
Screw holes: Spacing and end/edge distance tolerance $\pm 0,2$
Welded collar bolt with 2 welding lines 5x20 mm

13 screws in Header / Joist

KNAPP® Clip Connector RICON® S 200/60 EK, GK, VK

5.2 mm thick steel grade DD13 according to EN 10111:2008-06 with yield strength R_e of 235 MPa;
Corrosion protection according to Eurocode 5-1-1

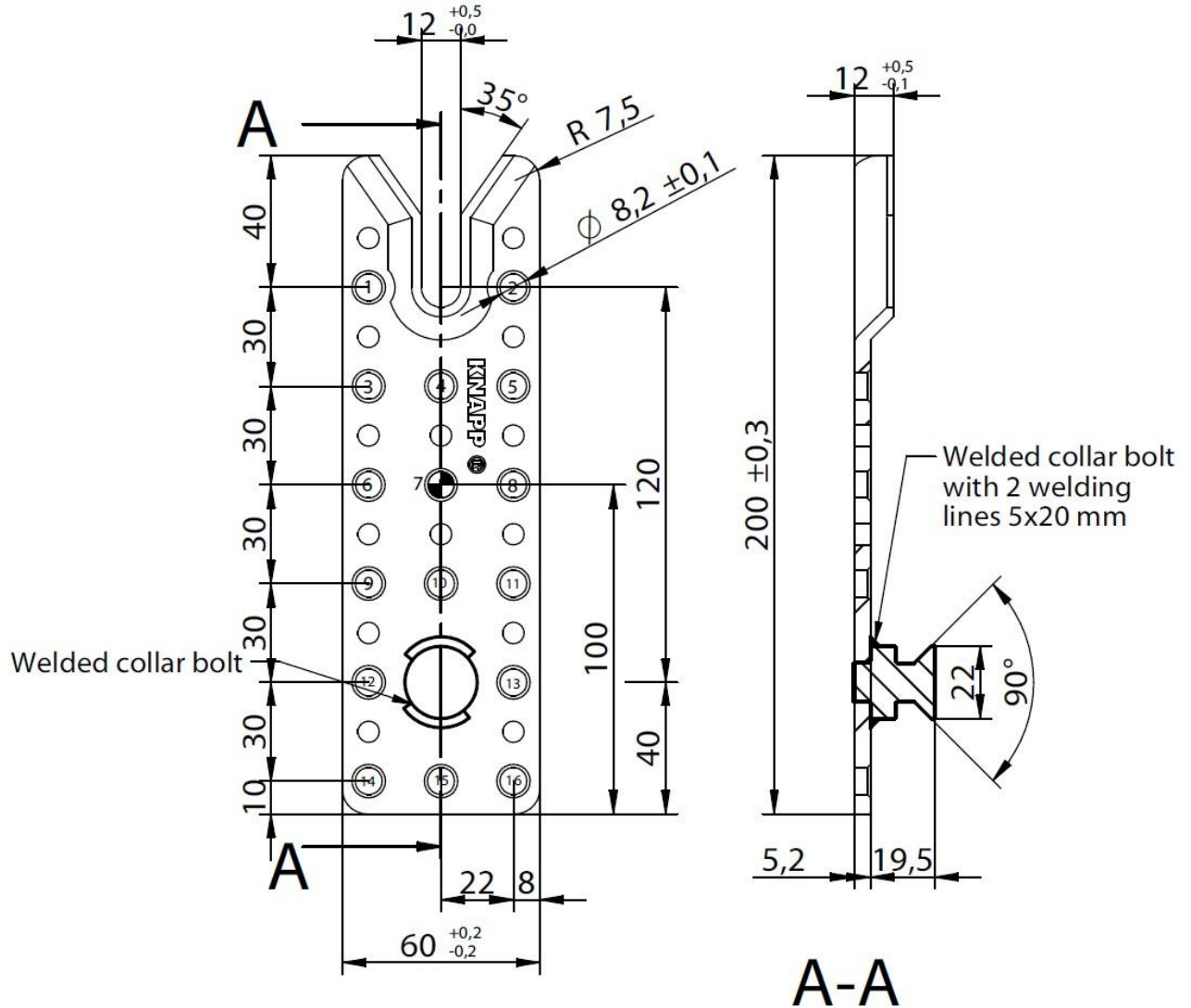


☉ Centre of gravity of screw pattern
Screw holes: Spacing and end/edge distance tolerance $\pm 0,2$

16 screws in Header / Joist

KNAPP® Clip Connector RICON® S 200/60 VS

5.2 mm thick steel grade DD13 according to EN 10111:2008-06 with yield strength R_e of 235 MPa;
Corrosion protection according to Eurocode 5-1-1



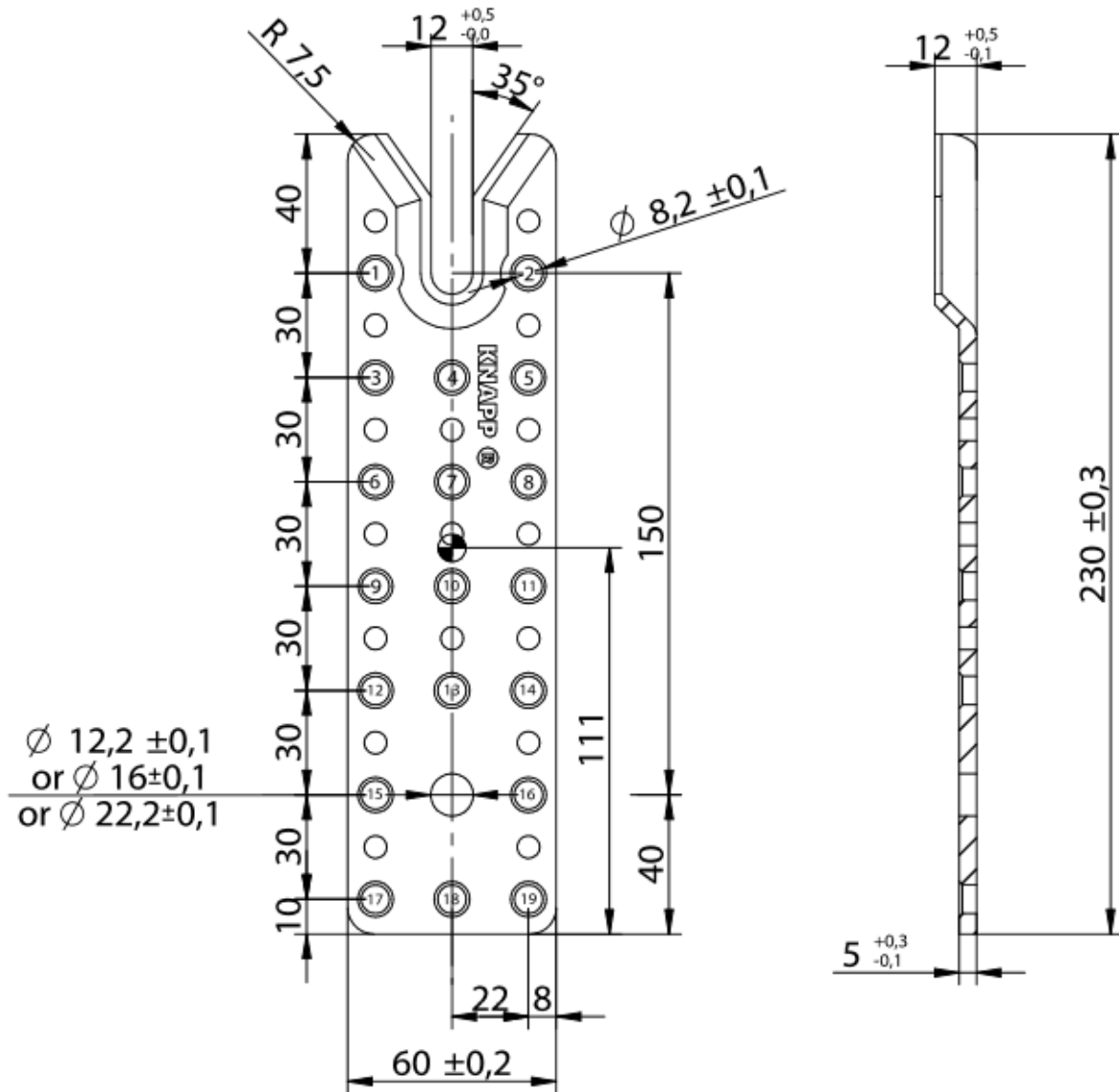
☉ Centre of gravity of screw pattern
Screw holes: Spacing and end/edge distance tolerance $\pm 0,2$
Welded collar bolt with 2 welding lines 5x20 mm

16 Screws in Header / Joist

Screws in Column: Pattern 1: 1, 2, 4, 6, 8, 10, 12, 13, 15;
Pattern 2: 1, 2, 4, 6, 8, 9, 10, 11, 12, 13, 14, 15, 16;

KNAPP® Clip Connector RICON® S 230/60 EK, GK, VK

5.2 mm thick steel grade DD13 according to EN 10111:2008-06 with yield strength R_e of 235 MPa;
Corrosion protection according to Eurocode 5-1-1

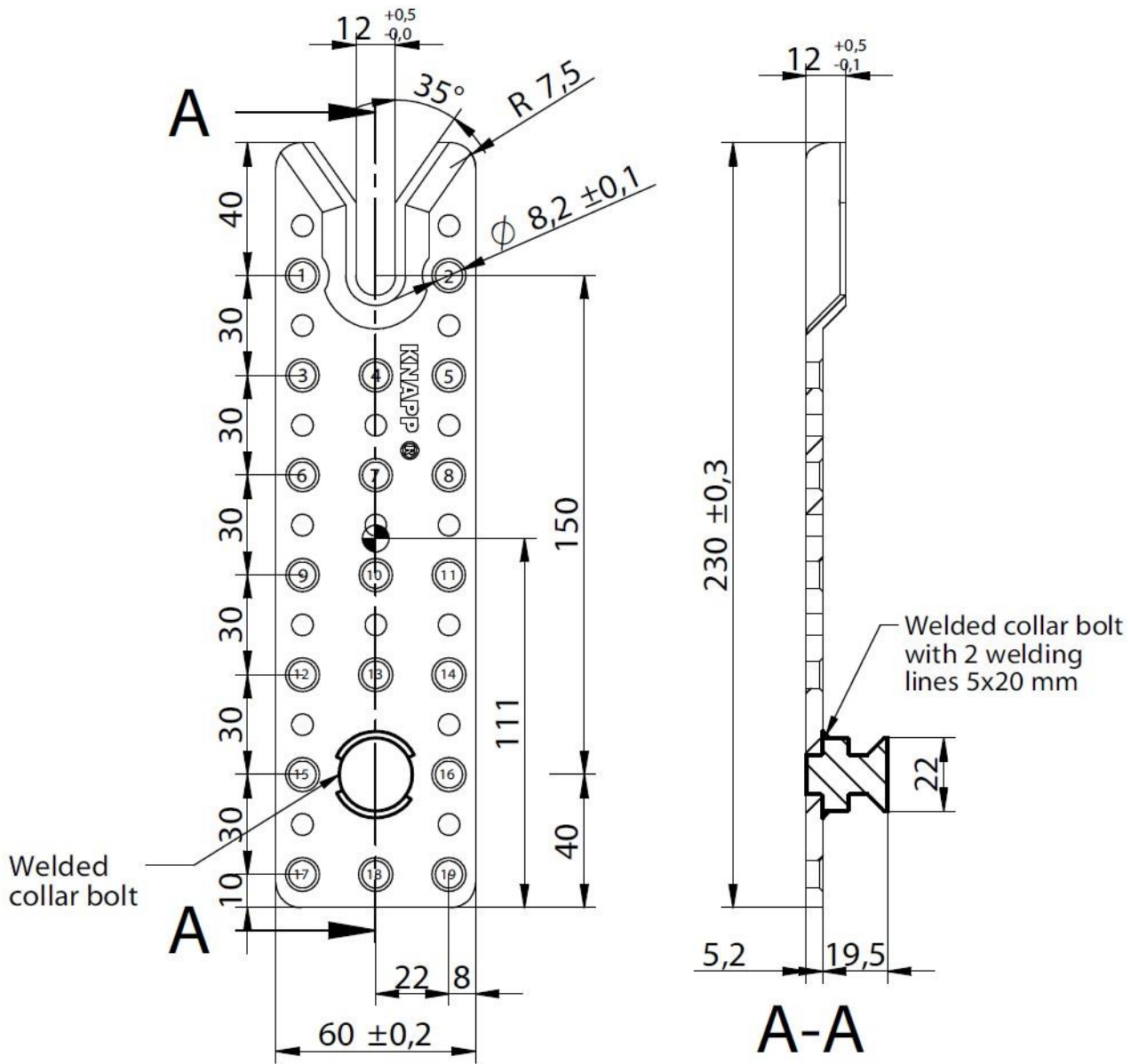


☉ Centre of gravity of screw pattern
Screw holes: Spacing and end/edge distance tolerance $\pm 0,2$

19 screws in Header / Joist

KNAPP® Clip Connector RICON® S 230/60 VS

5.2 mm thick steel grade DD13 according to EN 10111:2008-06 with yield strength R_e of 235 MPa;
Corrosion protection according to Eurocode 5-1-1

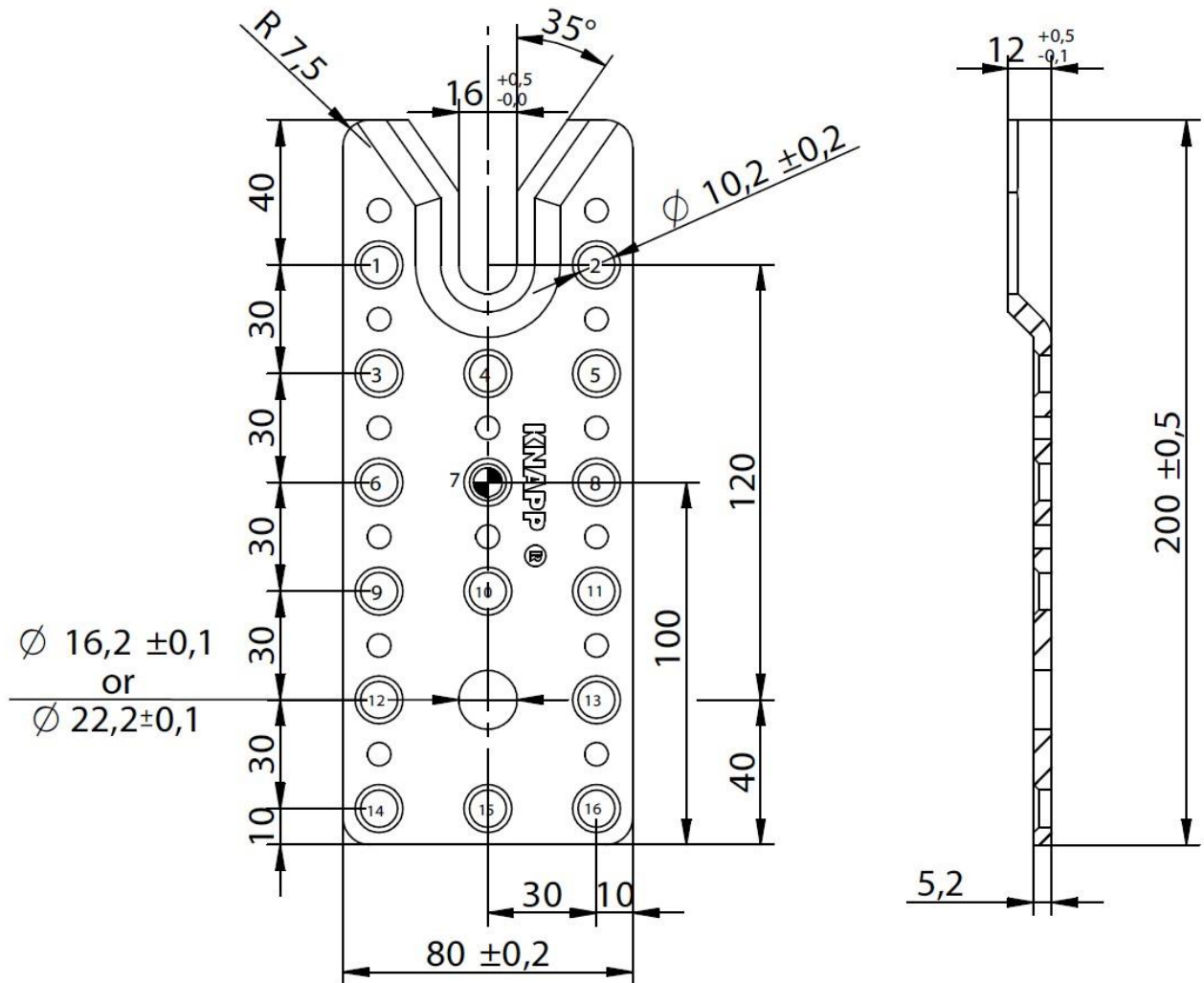


- ☉ Centre of gravity of screw pattern
- Screw holes: Spacing and end/edge distance tolerance $\pm 0,2$
- Welded collar bolt with 2 welding lines 5x20 mm

19 screws in Header / Joist

KNAPP® Clip Connector RICON® S 200/80 EK, GK, VK

5.2 mm thick steel grade DD13 according to EN 10111:2008-06 with yield strength R_e of 235 MPa;
Corrosion protection according to Eurocode 5-1-1

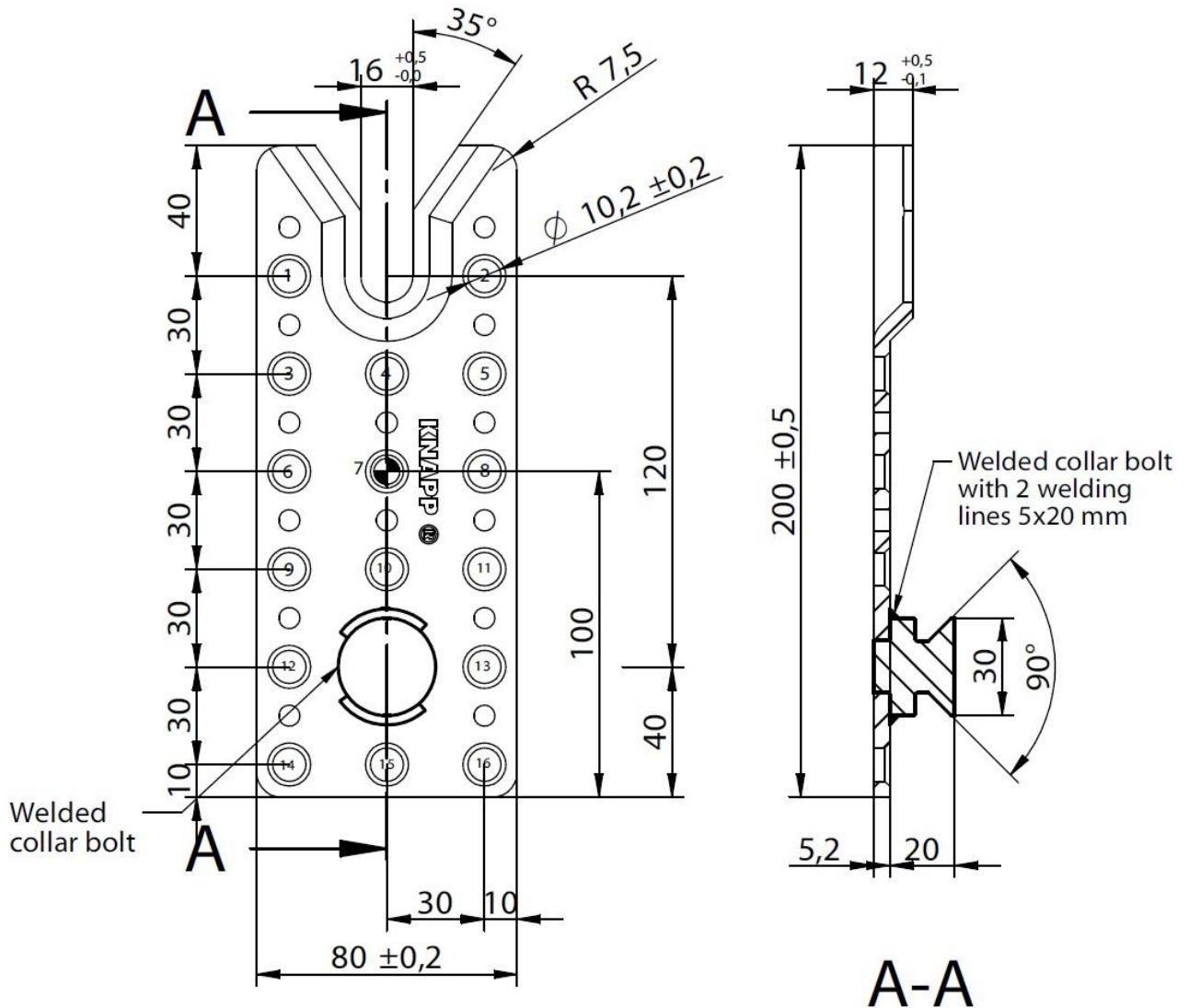


● Centre of gravity of screw pattern
Screw holes: Spacing and end/edge distance tolerance $\pm 0,2$

16 screws in Header / Joist: position

KNAPP® Clip Connector RICON® S 200/80 VS

5.2 mm thick steel grade DD13 according to EN 10111:2008-06 with yield strength R_e of 255 MPa;
Corrosion protection according to Eurocode 5-1-1



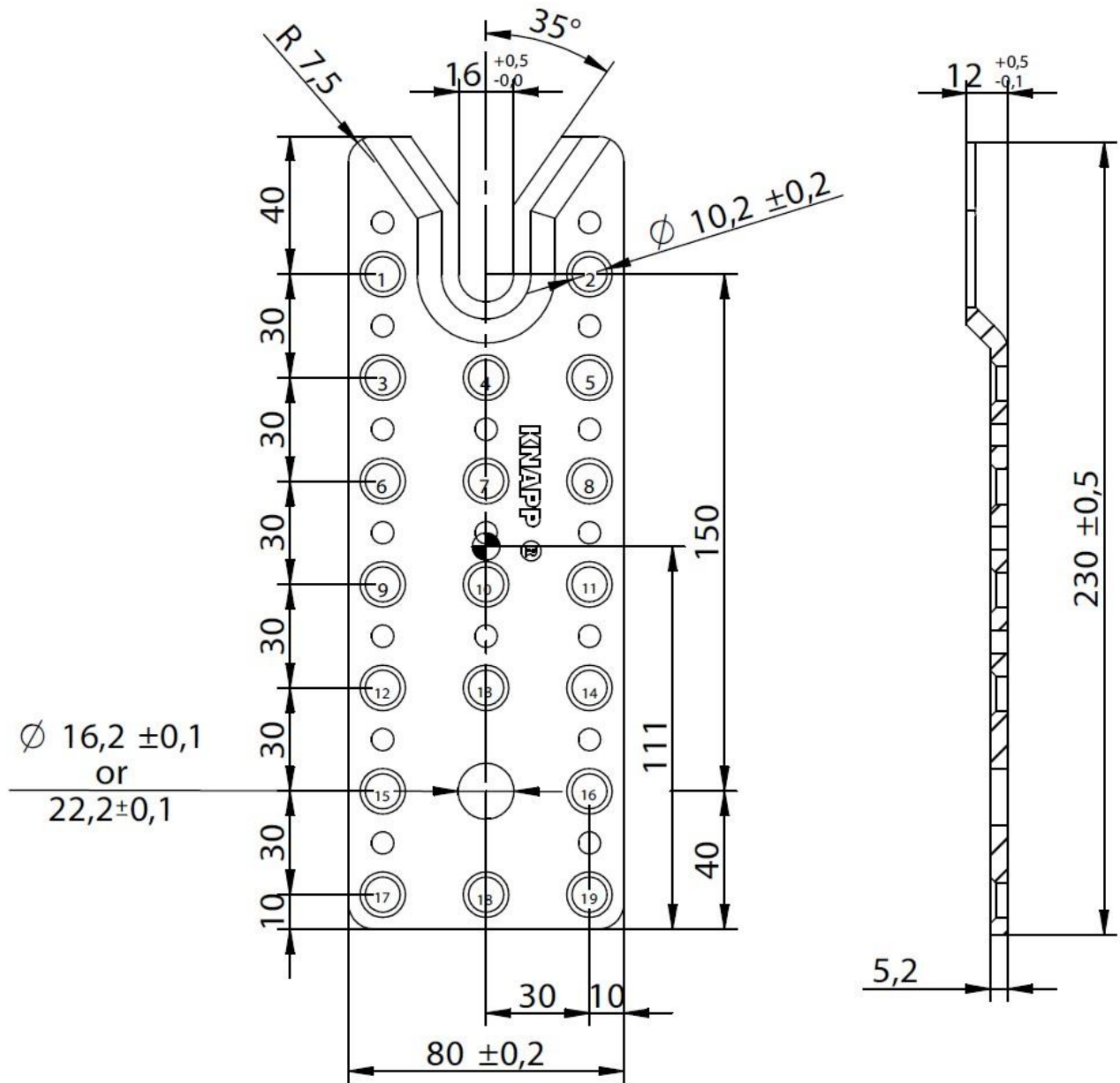
- ☉ Centre of gravity of screw pattern
- Screw holes: Spacing and end/edge distance tolerance $\pm 0,2$
- Welded collar bolt with 2 welding lines 5x20 mm

16 screws in Header / Joist

Screws in Column: Pattern 1: 1, 2, 4, 6, 8, 10, 12, 13, 15;
Pattern 2: 1, 2, 4, 6, 8, 9, 10, 11, 12, 13, 14, 15, 16

KNAPP® Clip Connector RICON® S 230/80 EK, GK, VK

5.2 mm thick steel grade DD13 according to EN 10111:2008-06 with yield strength R_e of 235 MPa;
Corrosion protection according to Eurocode 5-1-1

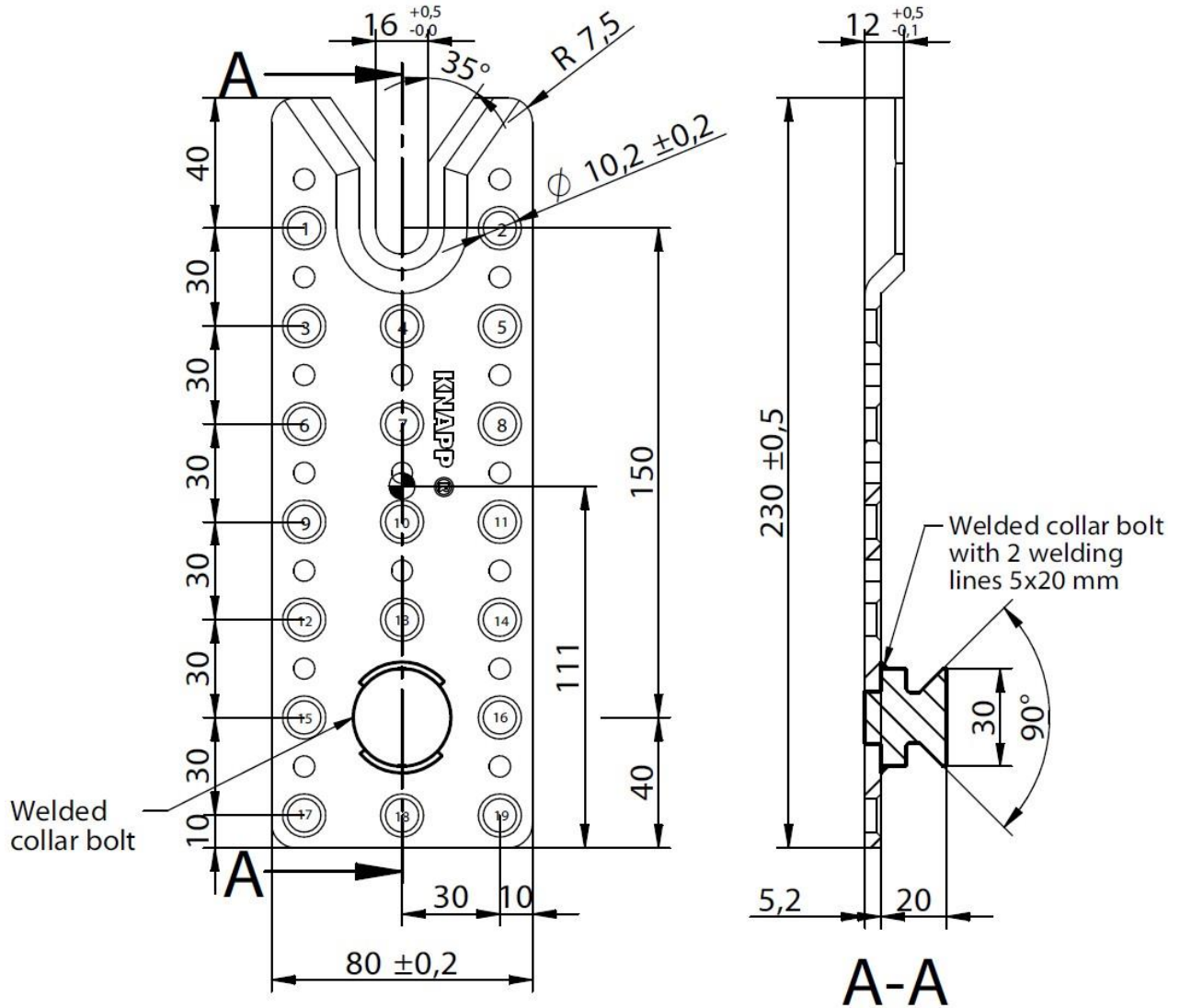


☉ Centre of gravity of screw pattern
Screw holes: Spacing and end/edge distance tolerance $\pm 0,2$

19 screws in Header / Joist

KNAPP® Clip Connector RICON® S 230/80 VS

5.2 mm thick steel grade DD13 according to EN 10111:2008-06 with yield strength R_e of 255 MPa;
Corrosion protection according to Eurocode 5-1-1

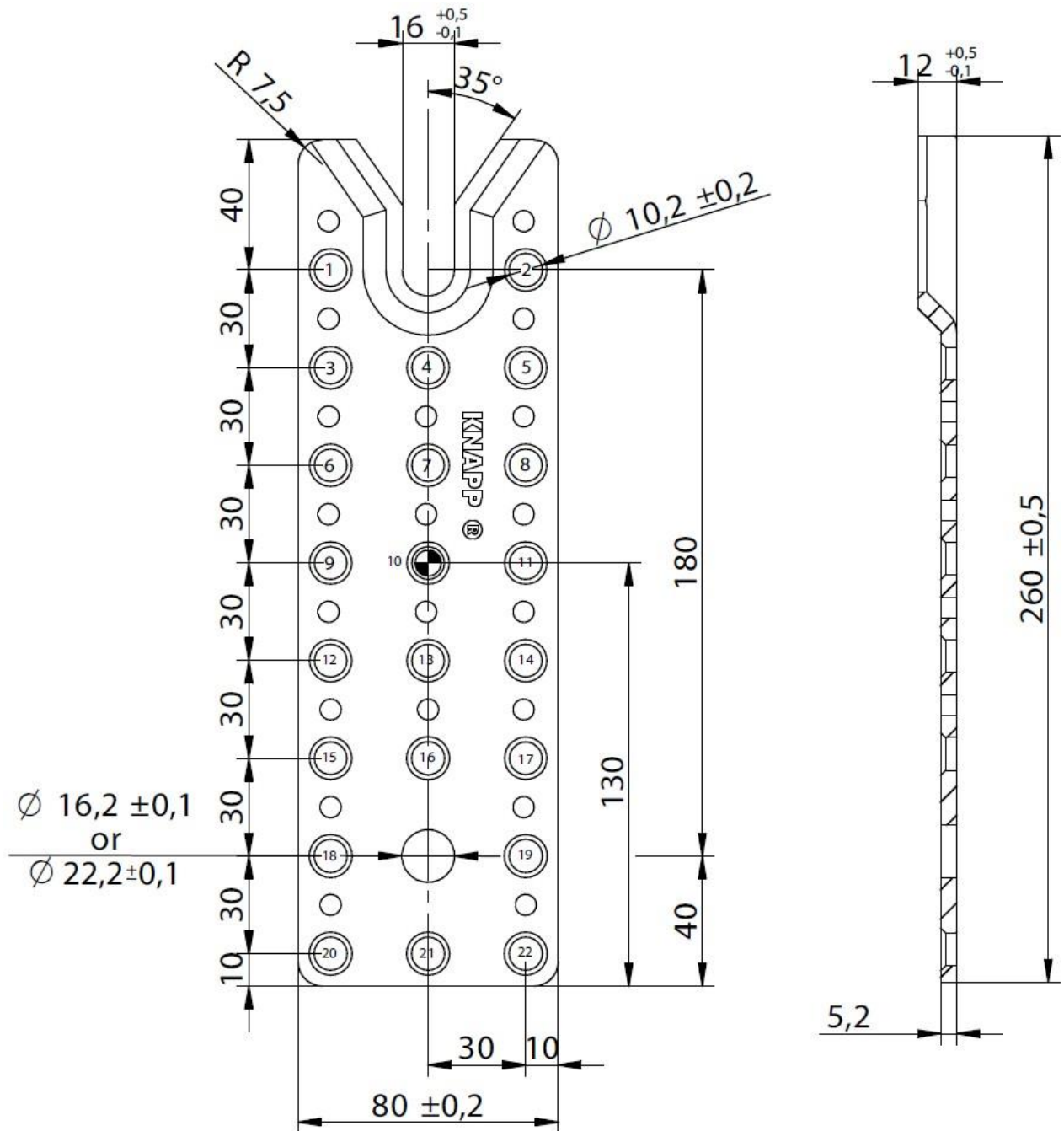


☉ Centre of gravity of screw pattern
Screw holes: Spacing and end/edge distance tolerance $\pm 0,2$
Welded collar bolt with 2 welding lines 5x20 mm

19 screws in Header / Joist

KNAPP® Clip Connector RICON® S 260/80 EK, GK, VK

5.2 mm thick steel grade DD13 according to EN 10111:2008-06 with yield strength R_e of 235 MPa;
Corrosion protection according to Eurocode 5-1-1

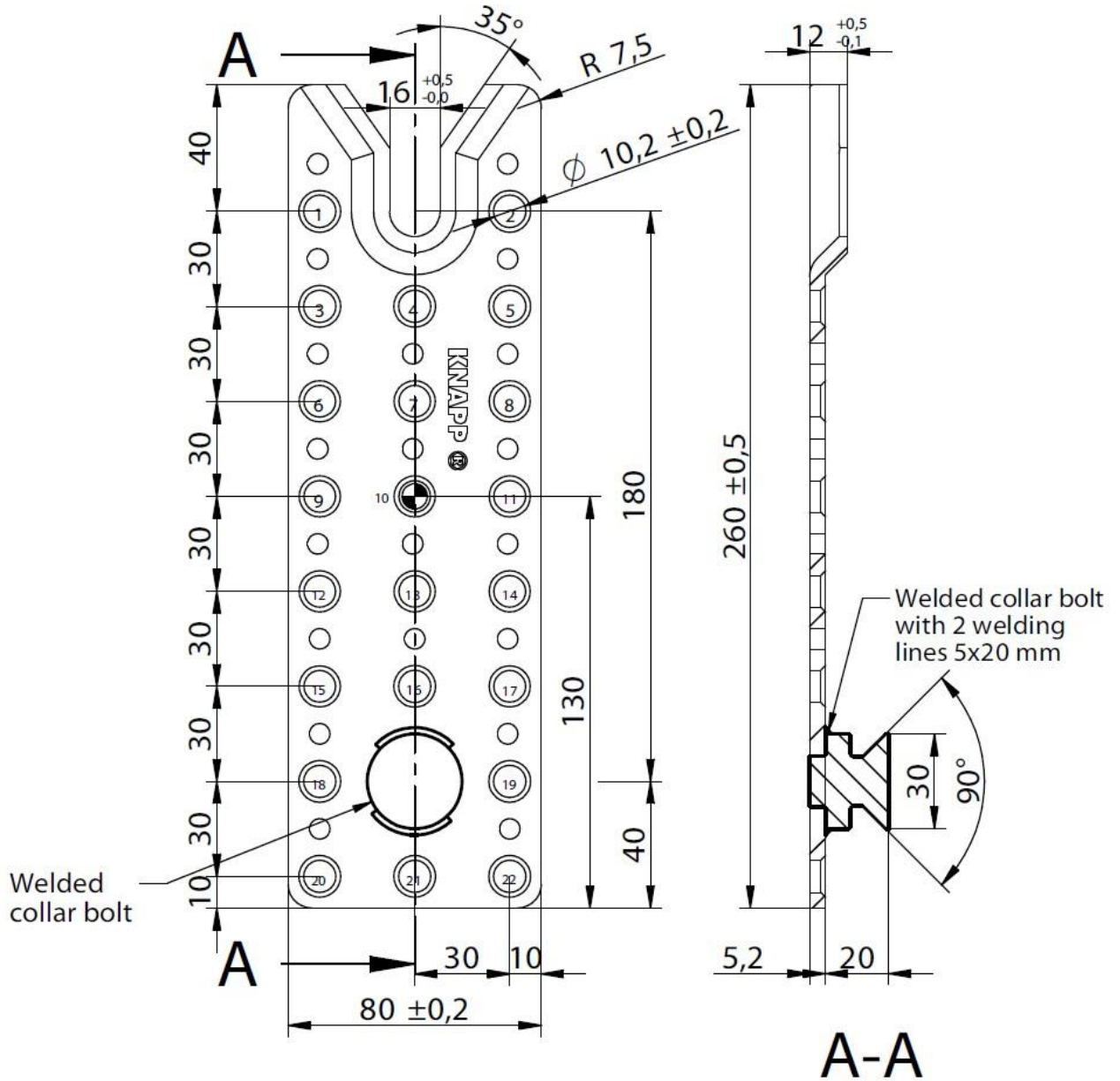


☉ Centre of gravity of screw pattern
Screw holes: Spacing and end/edge distance tolerance $\pm 0,2$

22 screws in Header / Joist

KNAPP® Clip Connector RICON® S 260/80 VS

5.2 mm thick steel grade DD13 according to EN 10111:2008-06 with yield strength R_e of 255 MPa;
Corrosion protection according to Eurocode 5-1-1

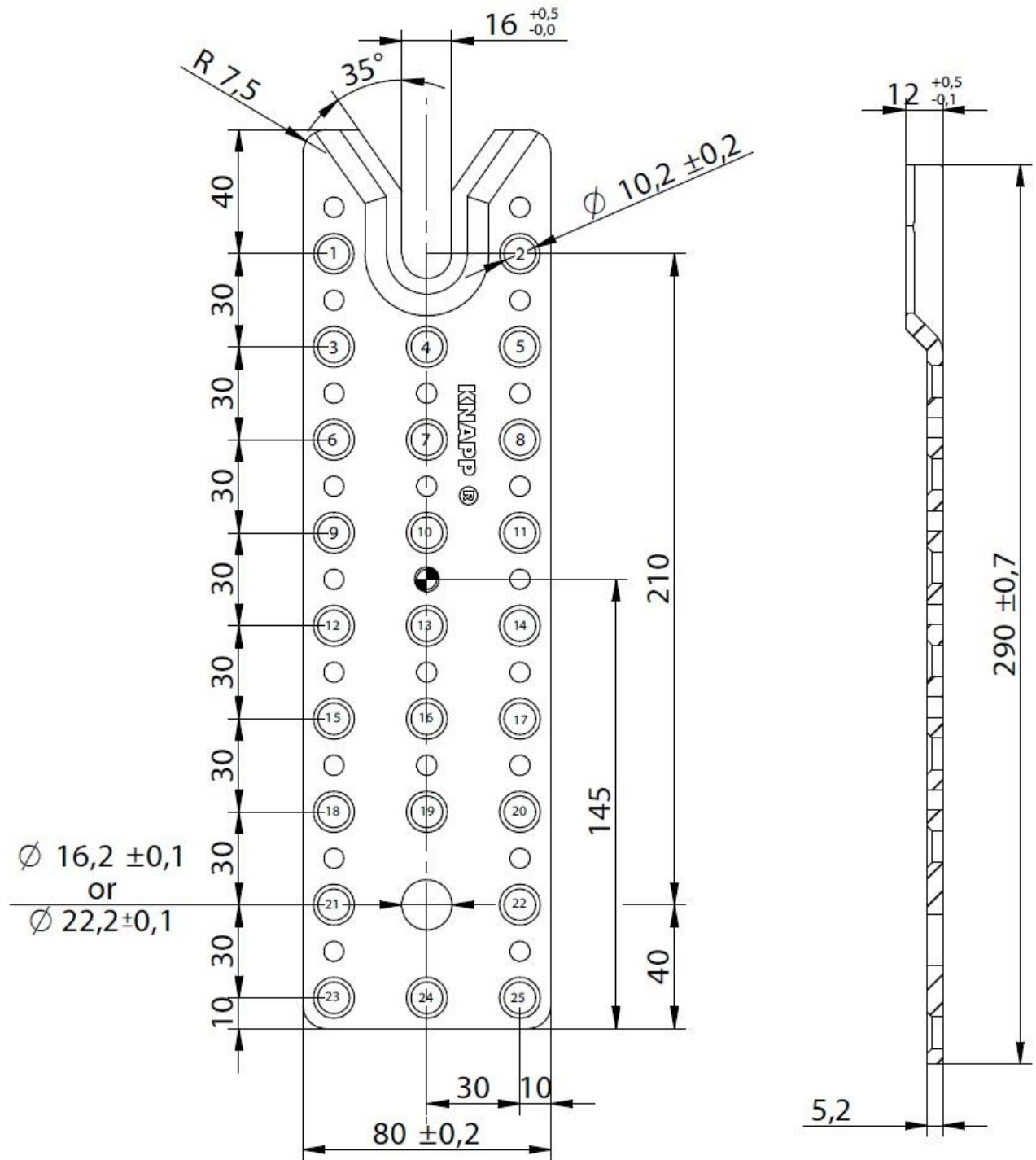


☉ Centre of gravity of screw pattern
Screw holes: Spacing and end/edge distance tolerance $\pm 0,2$
Welded collar bolt with 2 welding lines 5x20 mm

22 screws in Header / Joist

KNAPP® Clip Connector RICON® S 290/80 EK, GK, VK

5.2 mm thick steel grade DD13 according to EN 10111:2008-06 with yield strength R_e of 235 MPa;
Corrosion protection according to Eurocode 5-1-1

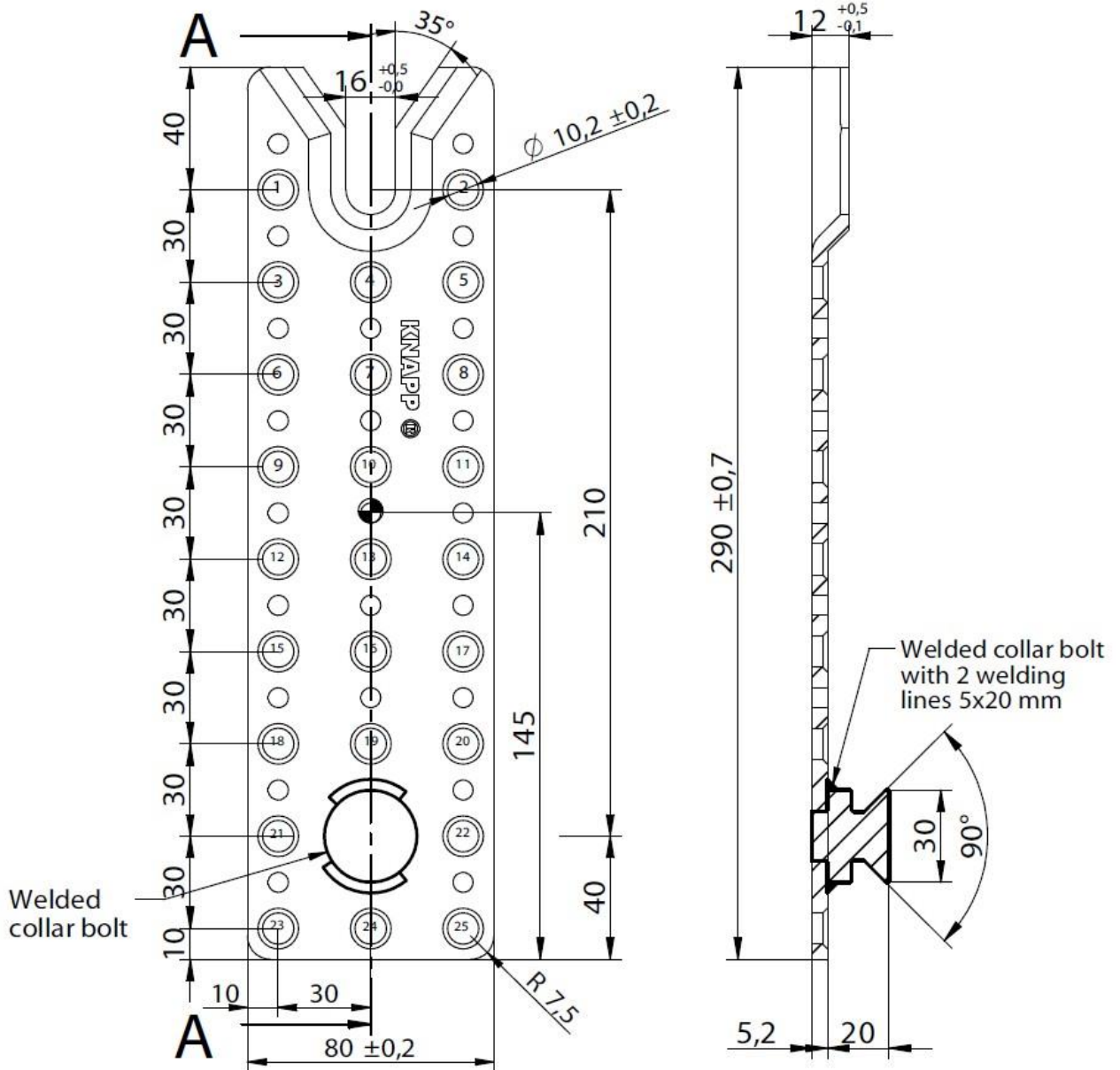


☉ Centre of gravity of screw pattern
Screw holes: Spacing and end/edge distance tolerance $\pm 0,2$

25 screws in Header / Joist

KNAPP® Clip Connector RICON® S 290/80 VS

5.2 mm thick steel grade DD13 according to EN 10111:2008-06 with yield strength R_e of 255 MPa;
Corrosion protection according to Eurocode 5-1-1



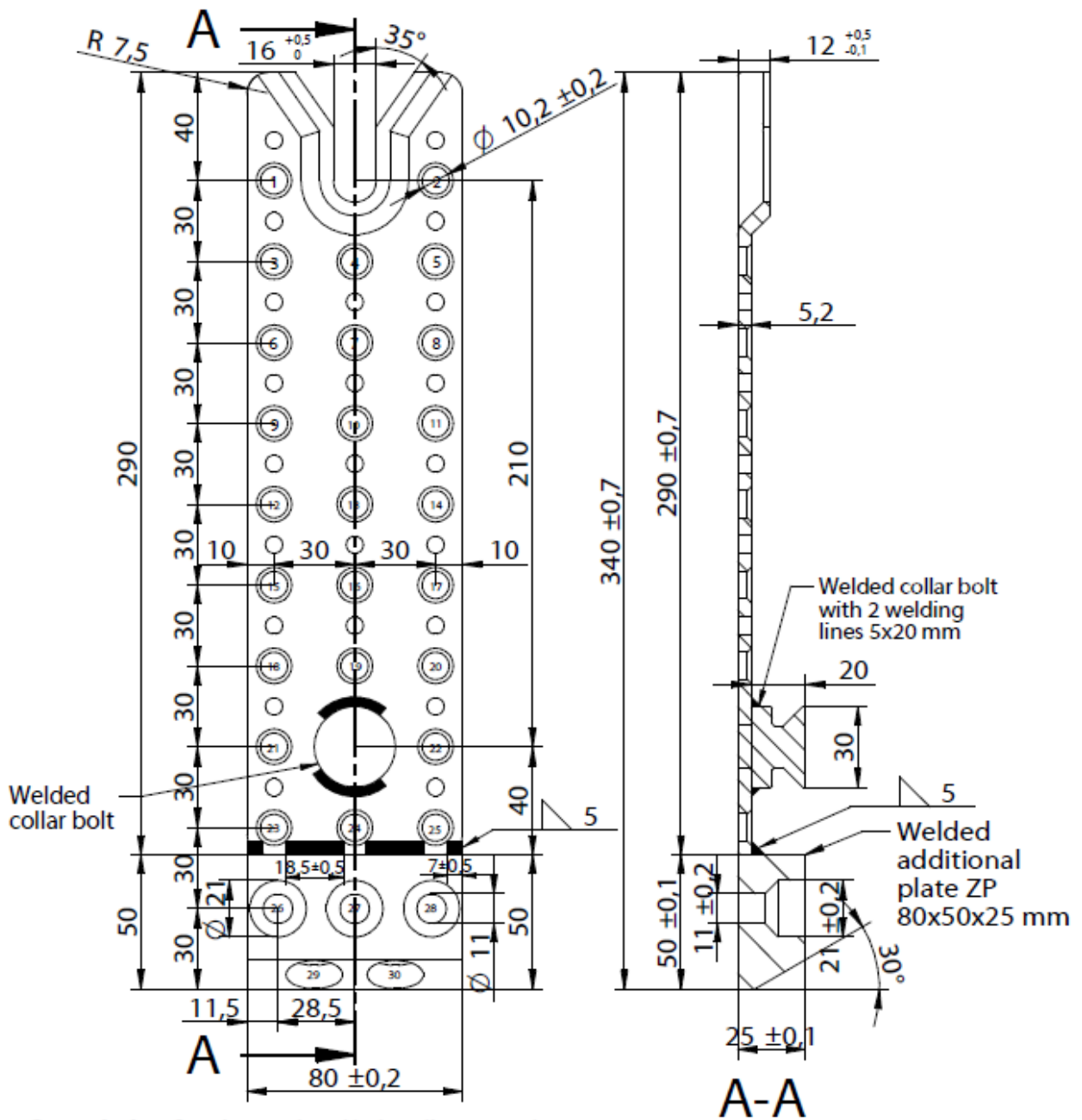
- ☉ Centre of gravity of screw pattern
- Screw holes: Spacing and end/edge distance tolerance $\pm 0,2$
- Welded collar bolt with 2 welding lines 5x20 mm

25 screws in Header / Joist

- Screws in Column:** Pattern 1: 1, 2, 4, 6, 8, 10, 12, 14, 15, 18, 20, 23, 25;
Pattern 2: 1, 2, 4, 6, 8, 10, 12, 13, 14, 15, 16, 17, 18, 19, 20, 21, 22, 23, 24, 25;

KNAPP® Clip Connector RICON® S 390/80 VS + ZP

5.0 mm thick steel grade DD13 according to EN 10111:2008-06 with minimum yield strength R_e of 255 MPa; Corrosion protection according to Eurocode 5-1-1



Screw holes: Spacing and end/edge distance tolerance $\pm 0,2$

Welded collar bolt with 2 welding lines 5x20 mm

dimensions in mm

Screws in Header / Joist:

Max. 28 screws - position:

1,2,3,4,5,6,7,8,9,10,11,12,13,14,15,16,17,18,19,20,21,22,23,25,26,27,28

(Header/column: CS 10x100; Joist CS 10x200 or CS 10x300)

Oblique holes: 29, 30

(Header CS $\geq 10x400$; Joist CS $\geq 10x450$)

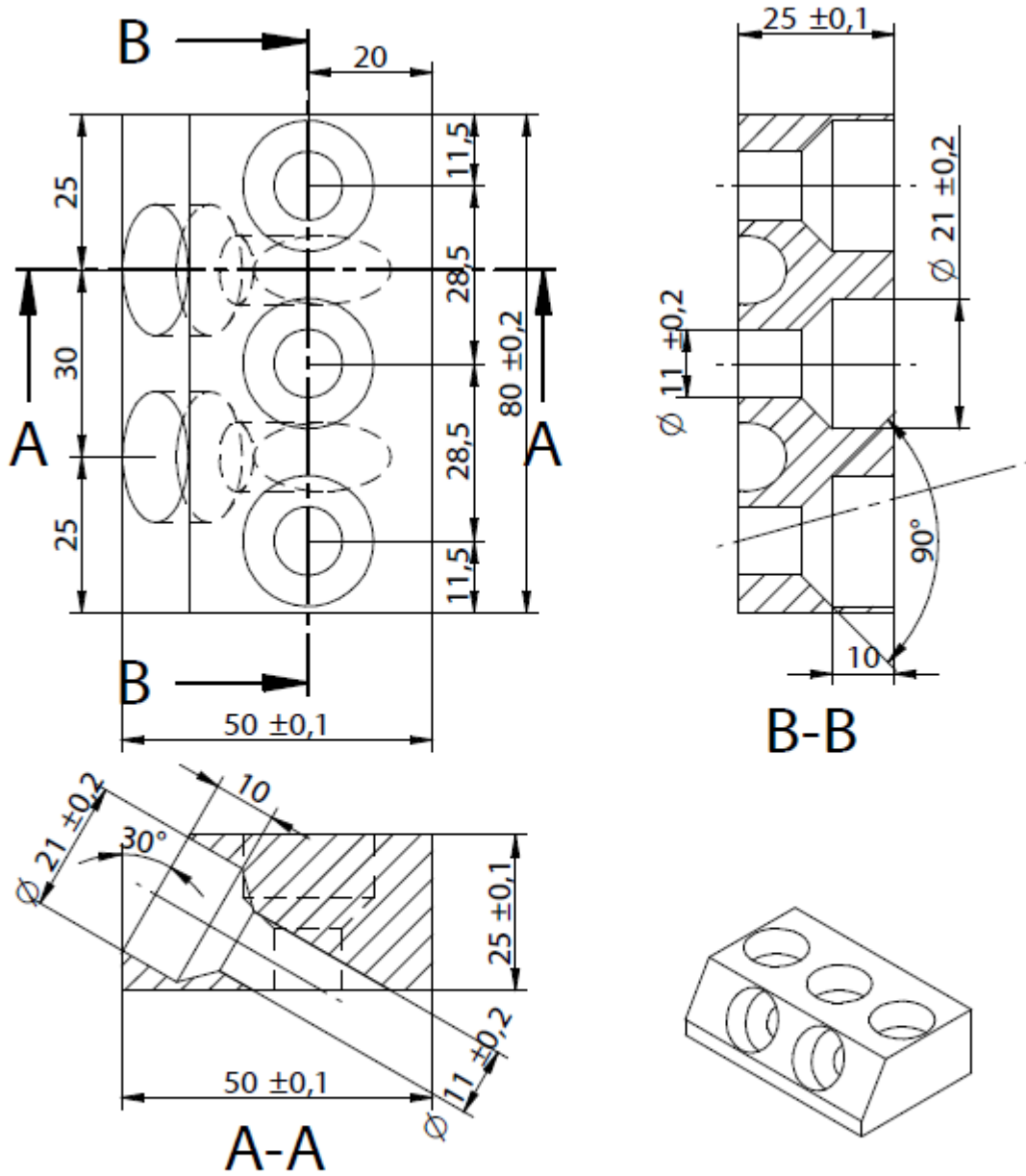
Screws in Column:

Pattern 1: 1, 2, 4, 6, 8, 10, 12, 14, 16, 18, 20, 23, 25;

Pattern 2: 1, 2, 4, 6, 8, 10, 12, 13, 14, 15, 16, 17, 18, 19, 20, 21, 22, 23, 24, 25, 26, 27, 28;

KNAPP® RICON® S 390x80 additional plate (ZP) 80x50x25

Additional plate of steel grade S235JR+AR according to EN 10025-2/2004 with minimum yield strength R_{eH} of 225 MPa, minimum tensile strength R_m of 360 MPa, maximum tensile strength R_m of 510 and minimum ultimate strain A_{80} of 26/24%
 Corrosion protection according to Eurocode 5-1-1

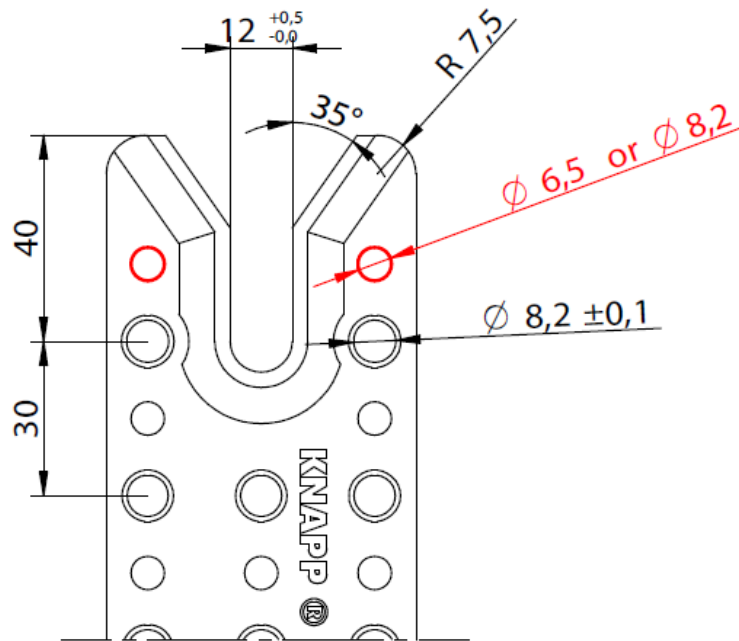


dimensions in mm

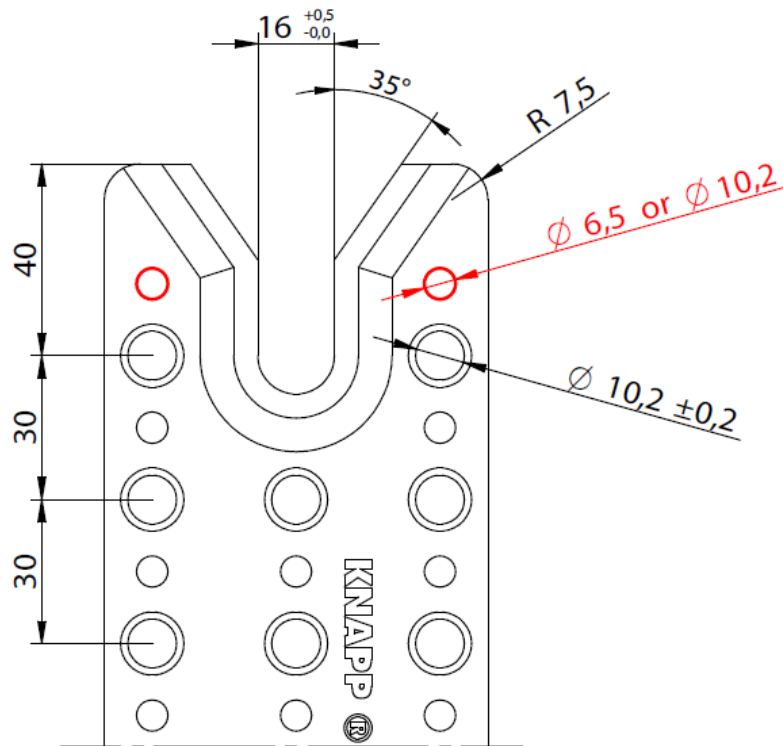
KNAPP® Clip Connector RICON® S 60 / RICON® S 80

Alternative screw position for uppest two screws (holes in red color):

RICON® S 60

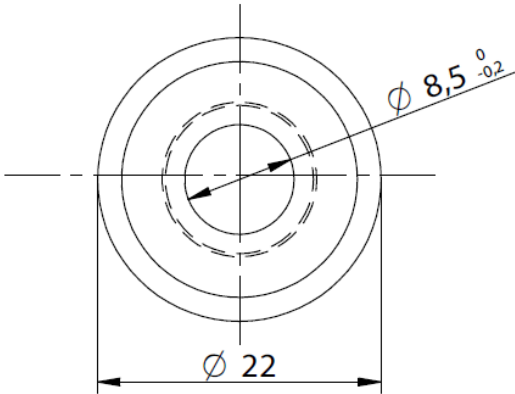
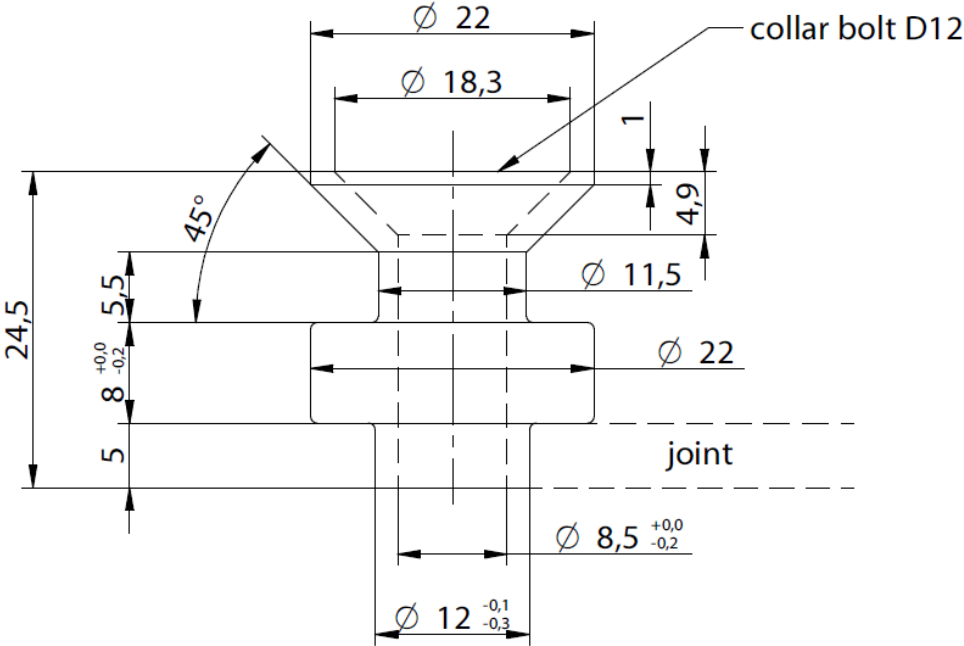


RICON® S 80:



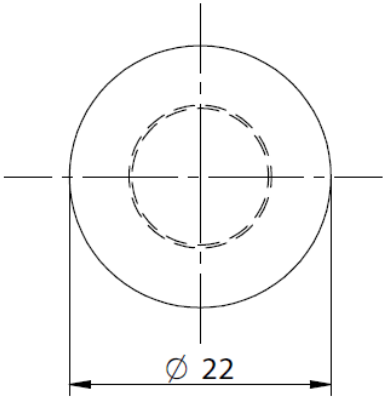
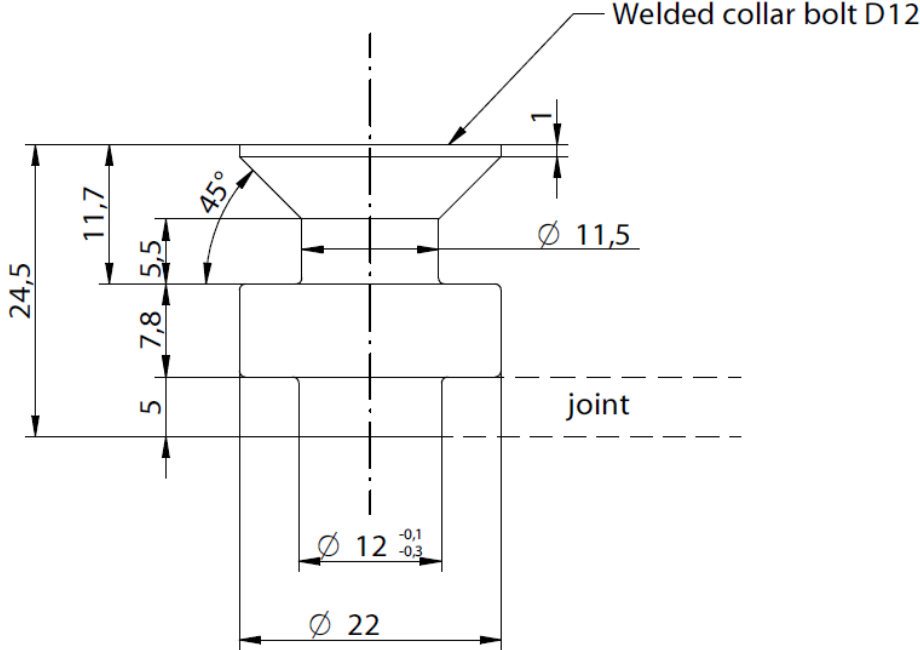
KNAPP® RICON® S 60 collar bolt D12

Collar bolt of pre-galvanized steel grade 11SMnPb30 according to EN 10277-3 with yield strength R_{eH} of 410 MPa, tensile strength R_m of 490 MPa, maximum tensile strength R_m of 760 and ultimate strain A_{80} of 7%; Corrosion protection according to Eurocode 5-1-1 ($\geq 5 \mu\text{m}$ zinc coating)



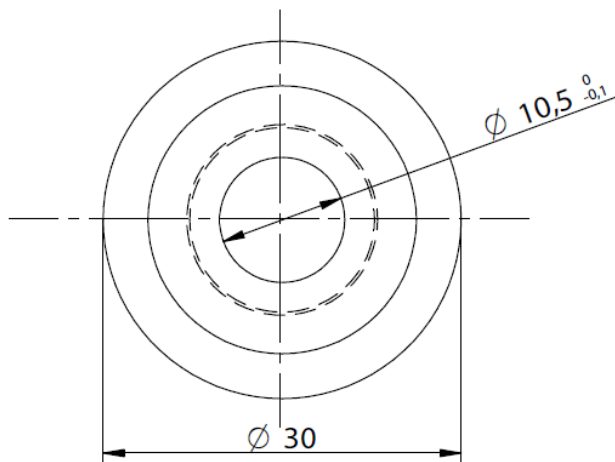
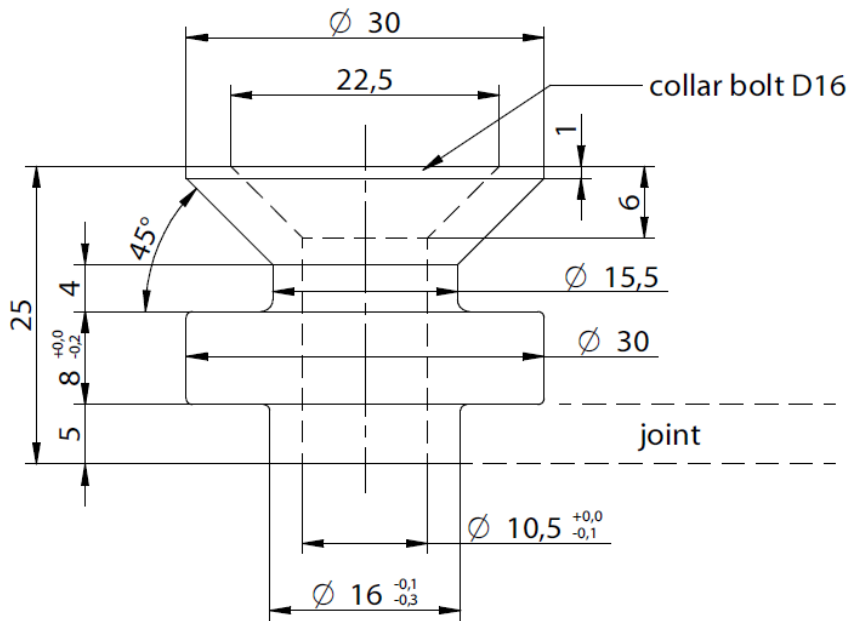
KNAPP® RICON® S 60 welded collar bolt D12 and for WALCO 60

Collar bolt of steel grade 16MnCr5 according to EN 10084 with HBW values 156 – 207
Corrosion protection according to Eurocode 5-1-1;



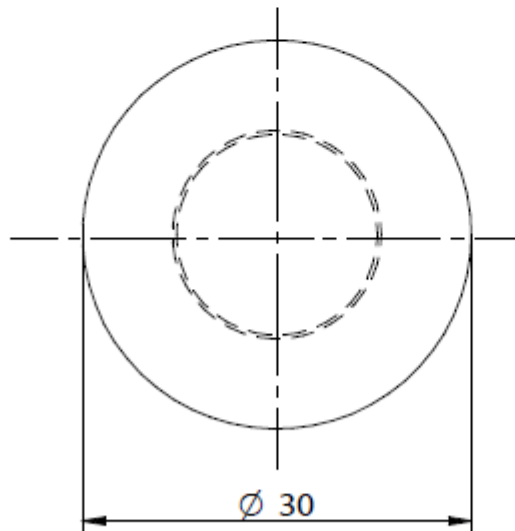
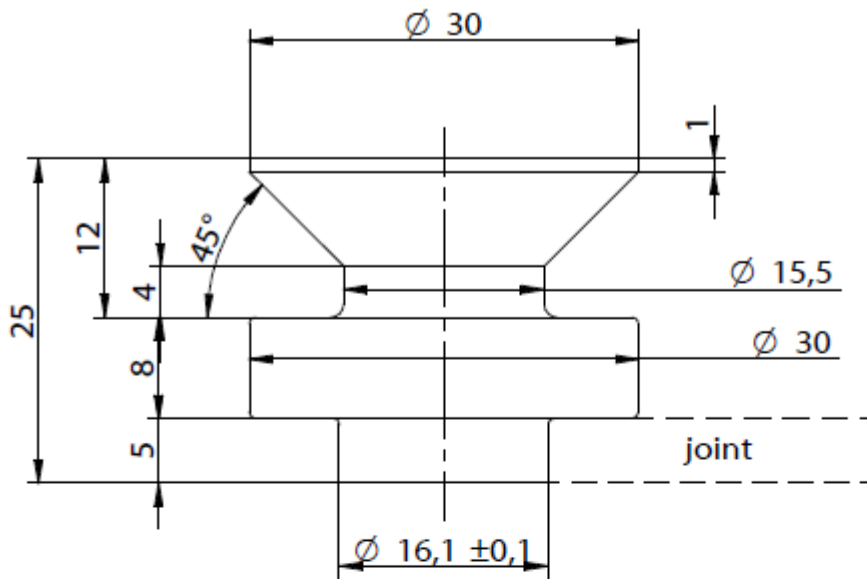
KNAPP® RICON® S 80 collar bolt D16

Collar bolt of pre-galvanized steel grade 11SMnPb30 according to EN 10277-3 with yield strength R_{eH} of 410 MPa, tensile strength R_m of 490 MPa, maximum tensile strength R_m of 760 MPa and ultimate strain A_{80} of 7%; Corrosion protection according to Eurocode 5-1-1 ($\geq 5 \mu\text{m}$ zinc coating);



KNAPP® RICON® S 80 welded collar bolt D16 (VS) and for WALCO 80

Collar bolt of steel grade 16MnCr5 according to EN 10084 with HBW 156-207
Corrosion protection according to Eurocode 5-1-1

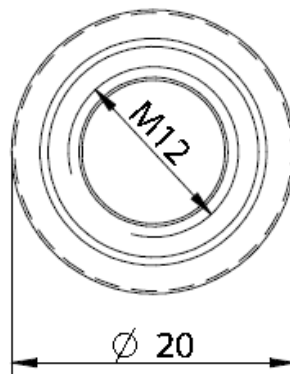
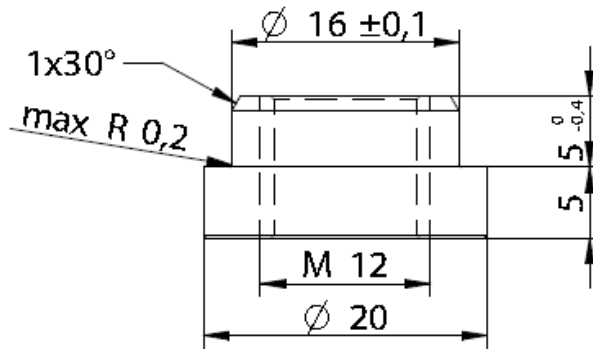


2:1

tolerance ± 0.5
dimensions in mm

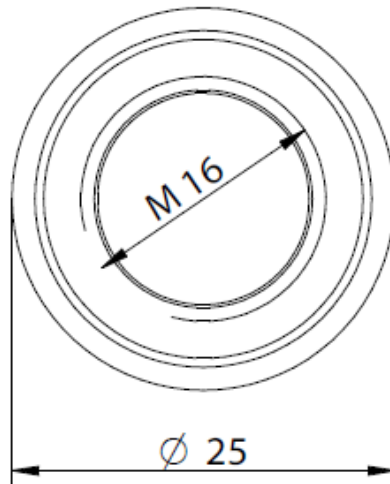
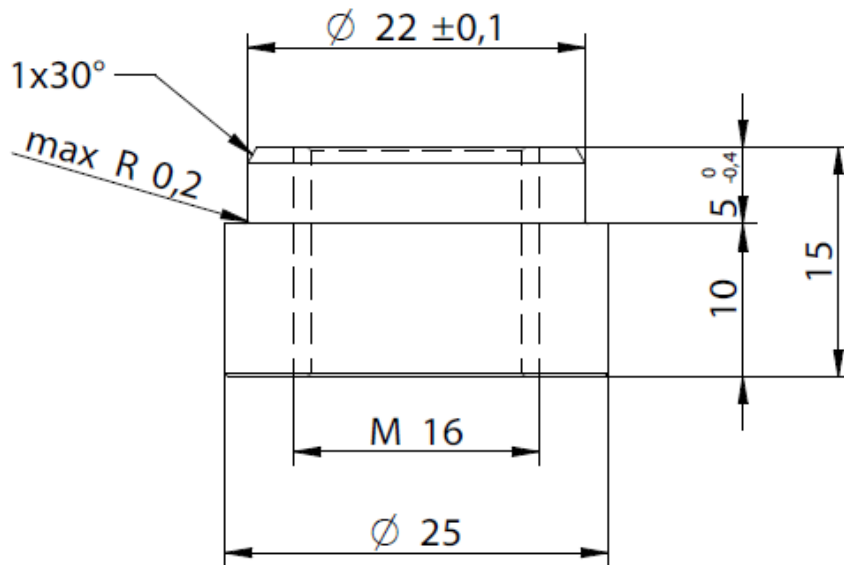
KNAPP® RICON® S 60 press nut M12 as retaining screw collar bolt M12

Press nut of pre-galvanized steel grade C45Pb according to EN 10277-2 with minimum yield strength $R_{p0.2}$ of 410 MPa, tensile strength R_m of 650 MPa, maximum tensile strength R_m of 1000 MPa and ultimate strain A_{80} of 7%. Corrosion protection according to Eurocode 5-1-1 ($\geq 5 \mu\text{m}$ zinc coating);



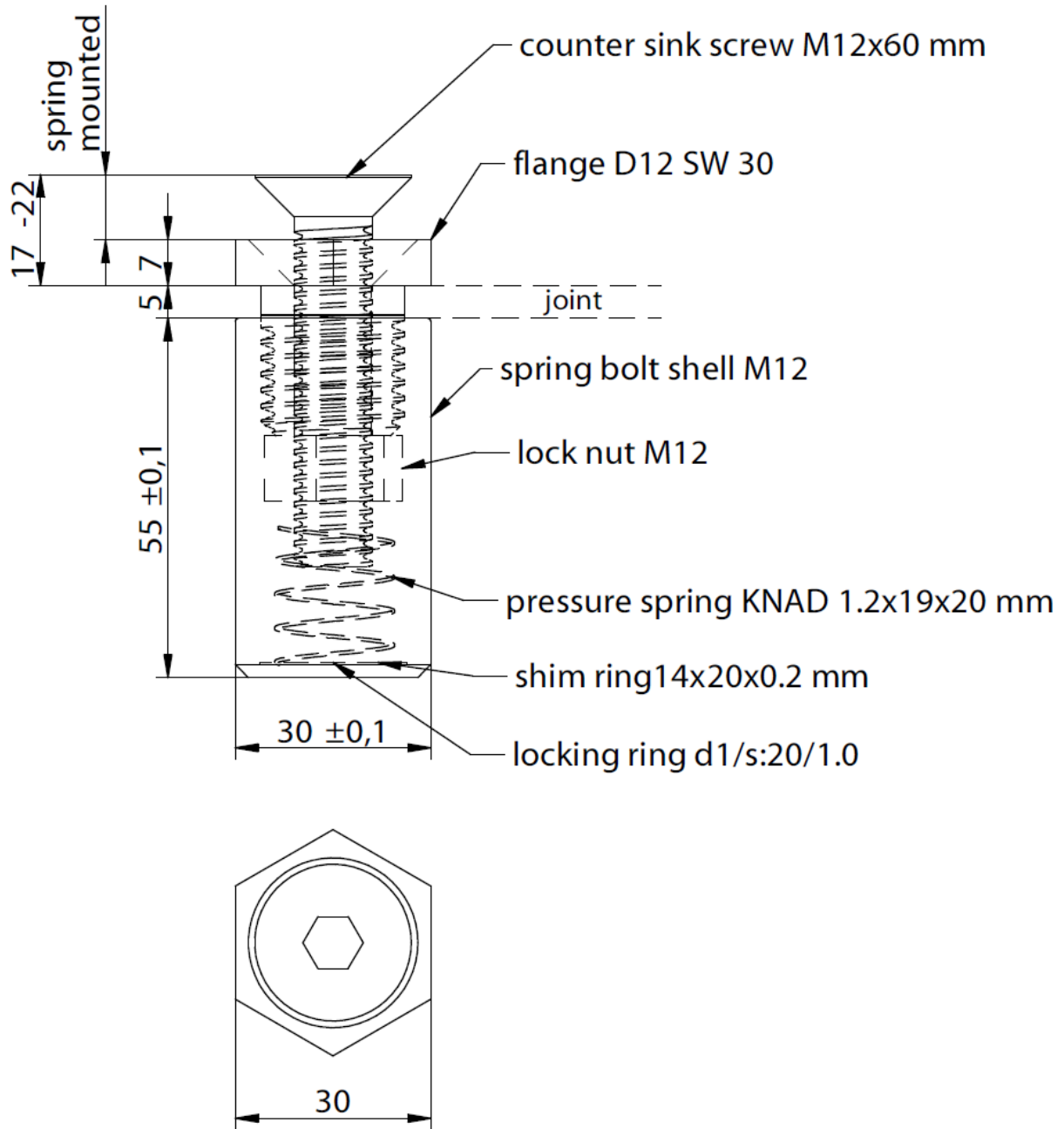
KNAPP® RICON® S 80 press nut M16 as retaining screw collar bolt M16

Press nut of pre-galvanized steel grade C45Pb according to EN 10277-2 with minimum yield strength $R_{p0.2}$ of 410 MPa, tensile strength R_m of 650 MPa, maximum tensile strength R_m of 1000 MPa and ultimate strain A_{80} of 7%. Corrosion protection according to Eurocode 5-1-1 ($\geq 5 \mu\text{m}$ zinc coating);



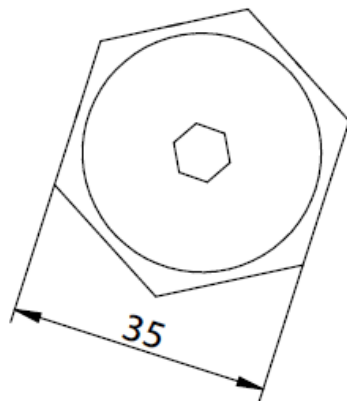
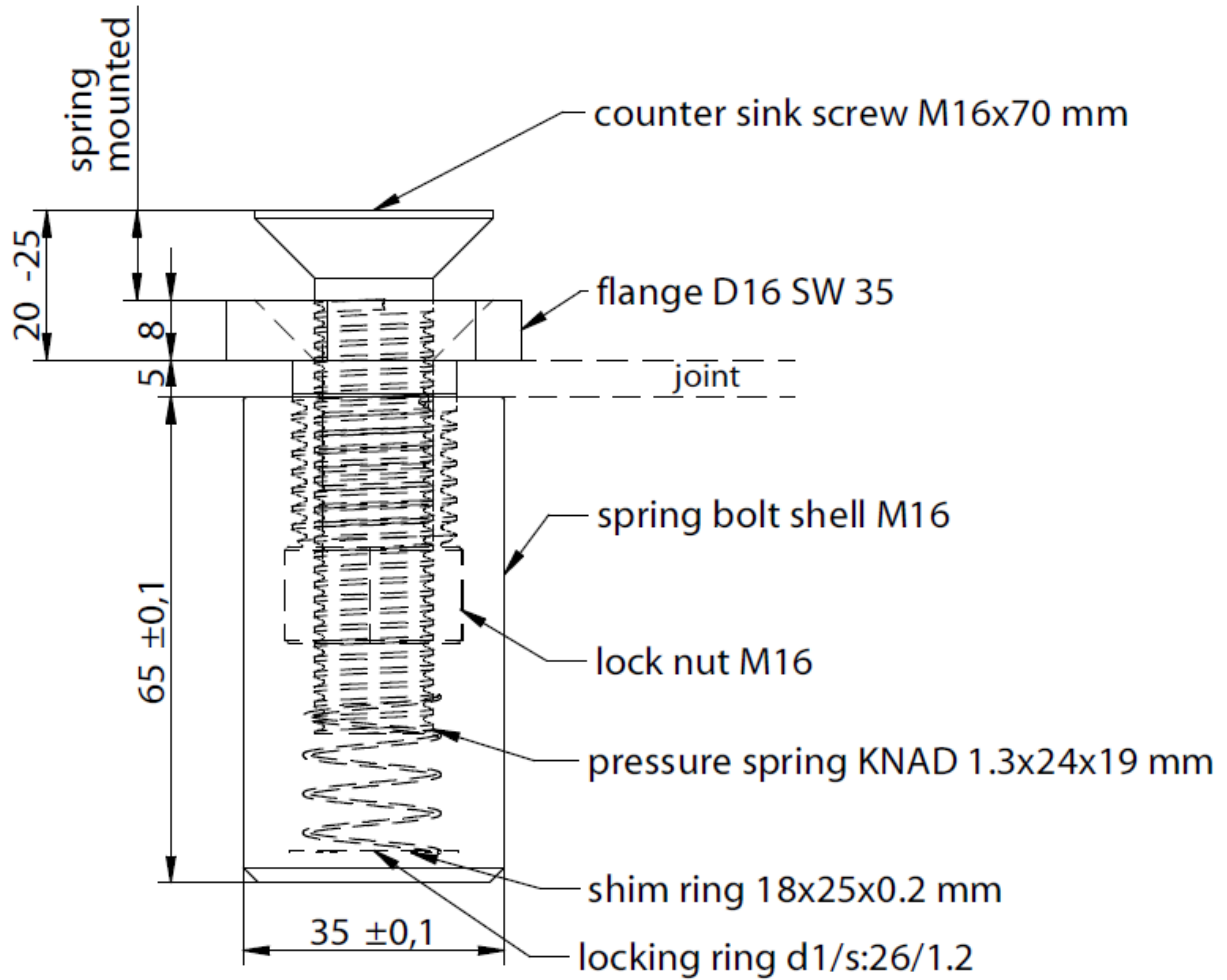
KNAPP® RICON® S 60 spring retaining screw collar bolt M12

Collar bolt and locknut of pre-galvanized steel grade 11SMnPb30 according to EN 10277-3 with yield strength R_{eH} of 410 MPa, tensile strength R_m of 490 MPa, maximum tensile strength R_m of 760 and ultimate strain A_{80} of 7%; counter sink screw of pre-galvanized steel grade 8.8 according to EN ISO 898-1; pressure spring of unalloyed spring steel with specification SM according to EN 10270-1, tensile strength R_m of 1900 MPa, maximum tensile strength R_m of 2160 and ultimate strain A_{80} of 40%;



KNAPP® RICON® S 80 spring retaining screw collar bolt M16

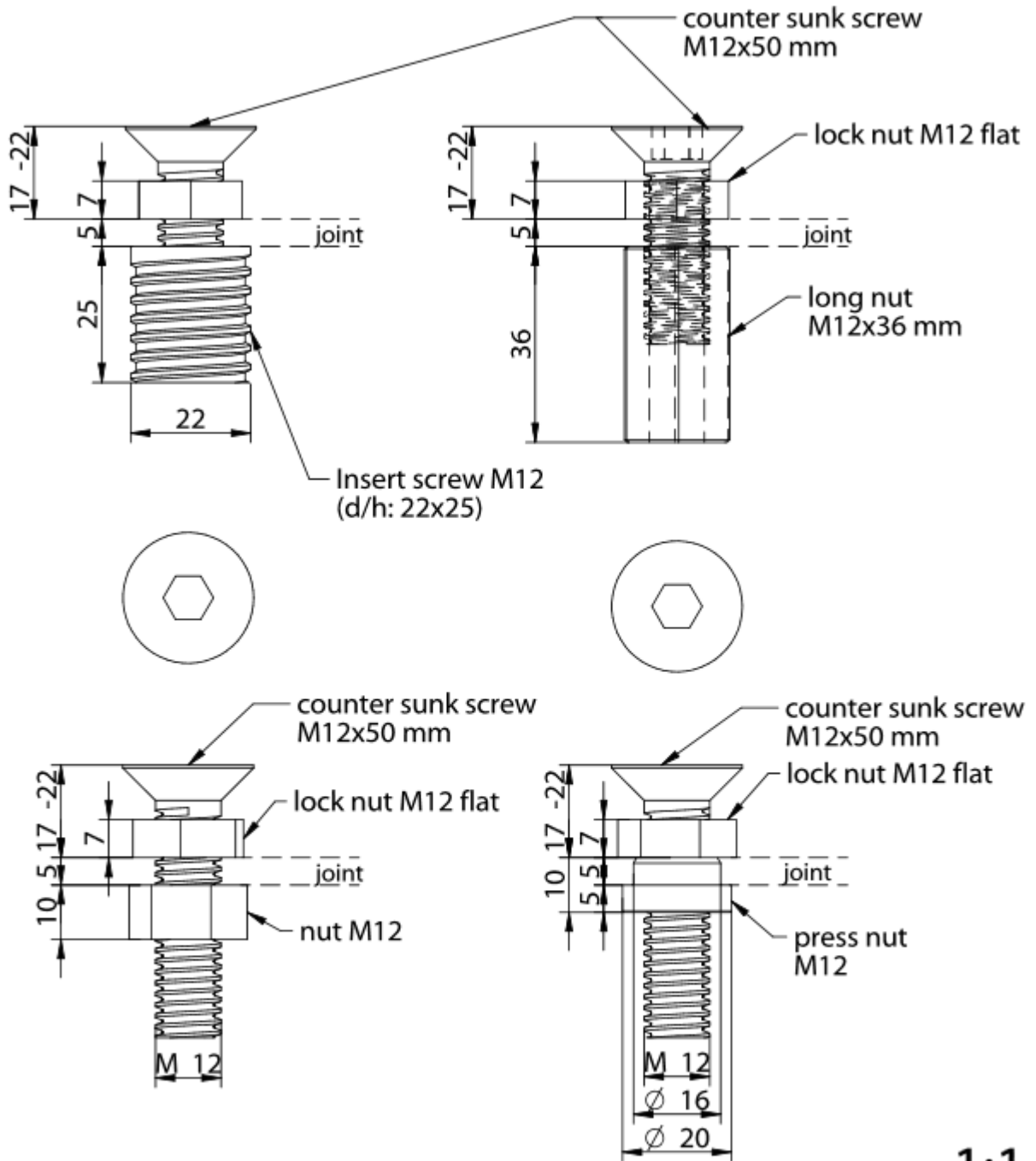
Collar bolt and locknut of pre-galvanized steel grade 11SMnPb30 according to EN 10277-3 with yield strength R_{eH} of 410 MPa, tensile strength R_m of 490 MPa, maximum tensile strength R_m of 760 and ultimate strain A_{80} of 7%; counter sink screw of pre-galvanized steel grade 8.8 according to EN ISO 898-1; pressure spring of unalloyed spring steel with specification SM according to EN 10270-1, tensile strength R_m of 1900 MPa, maximum tensile strength R_m of 2160 MPa and ultimate strain A_{80} of 40%;



KNAPP® RICON® S 60 retaining screw collar bolt M12 with insert screw or long nut
with press nut or nut M12

Retaining screw bolt, locknut and longnut of pre-galvanized steel grade 11SMnPb30 according to EN 10277-3 with yield strength R_{eH} of 410 MPa, tensile strength R_m of 490 MPa, maximum tensile strength R_m of 760 MPa and ultimate strain A_{80} of 7%; counter sink screw of pre-galvanized steel grade 8.8 according to EN ISO 898-1.

The material properties of the press nut M12 is defined on page 54. The steel grade of the nut M12 is 8 (acc. to EN ISO 898-1; EN ISO 4032); the nut M12 can be fixed by a welding point or similar method (e.g. with adhesive) to avoid turning at the assembly process.



1:1

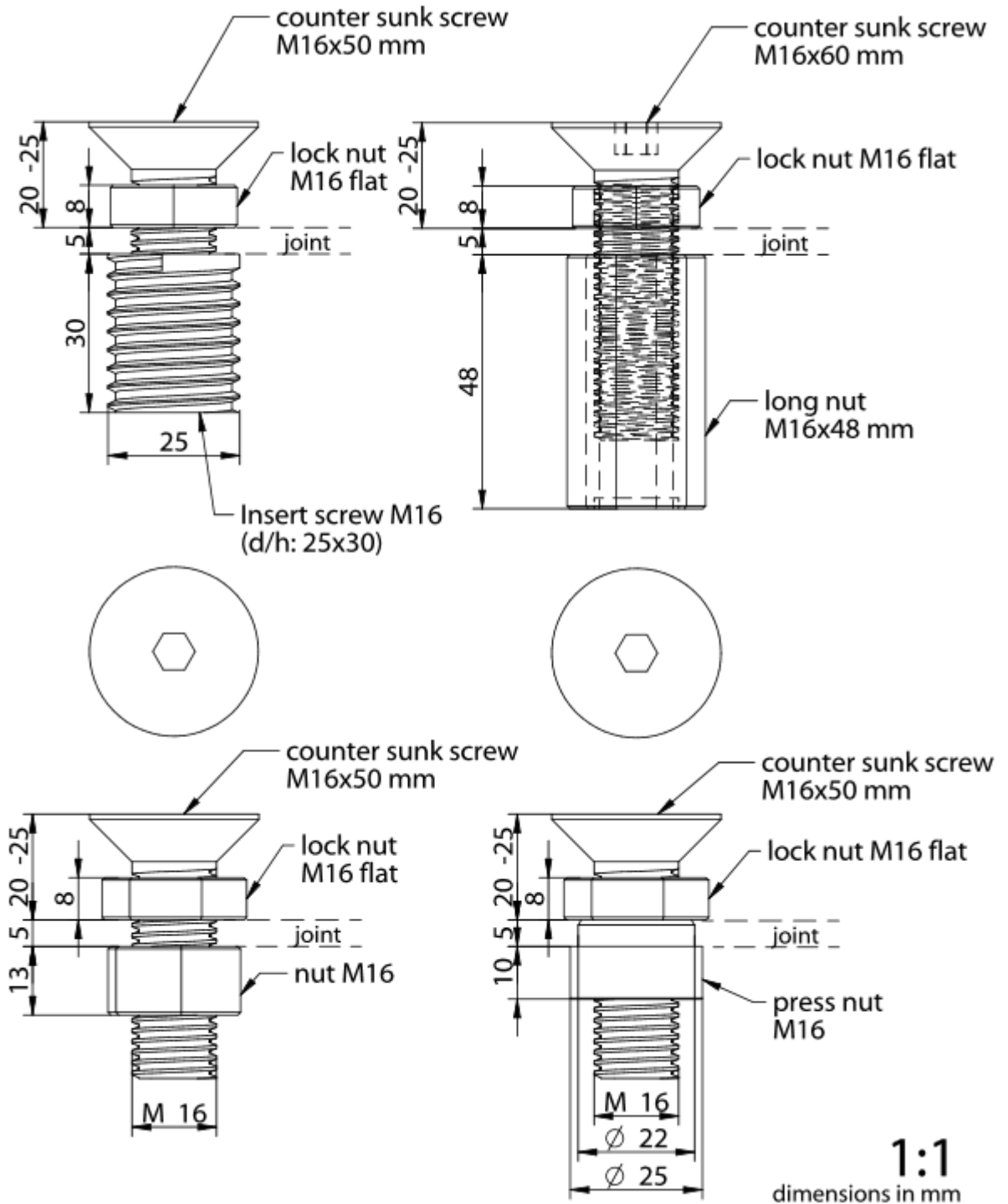
dimensions in mm

KNAPP® RICON® S 80 retaining screw collar bolt M16

**with insert screw or long nut
with press nut or nut M16**

Retaining screw bolt, locknut and longnut of pre-galvanized steel grade 11SMnPb30 according to EN 10277-3 with yield strength R_{eH} of 410 MPa, tensile strength R_m of 490 MPa, maximum tensile strength R_m of 760 MPa and minimum ultimate strain A_{80} of 7%; counter sink screw of pre-galvanized steel grade 8.8 according to EN ISO 898-1

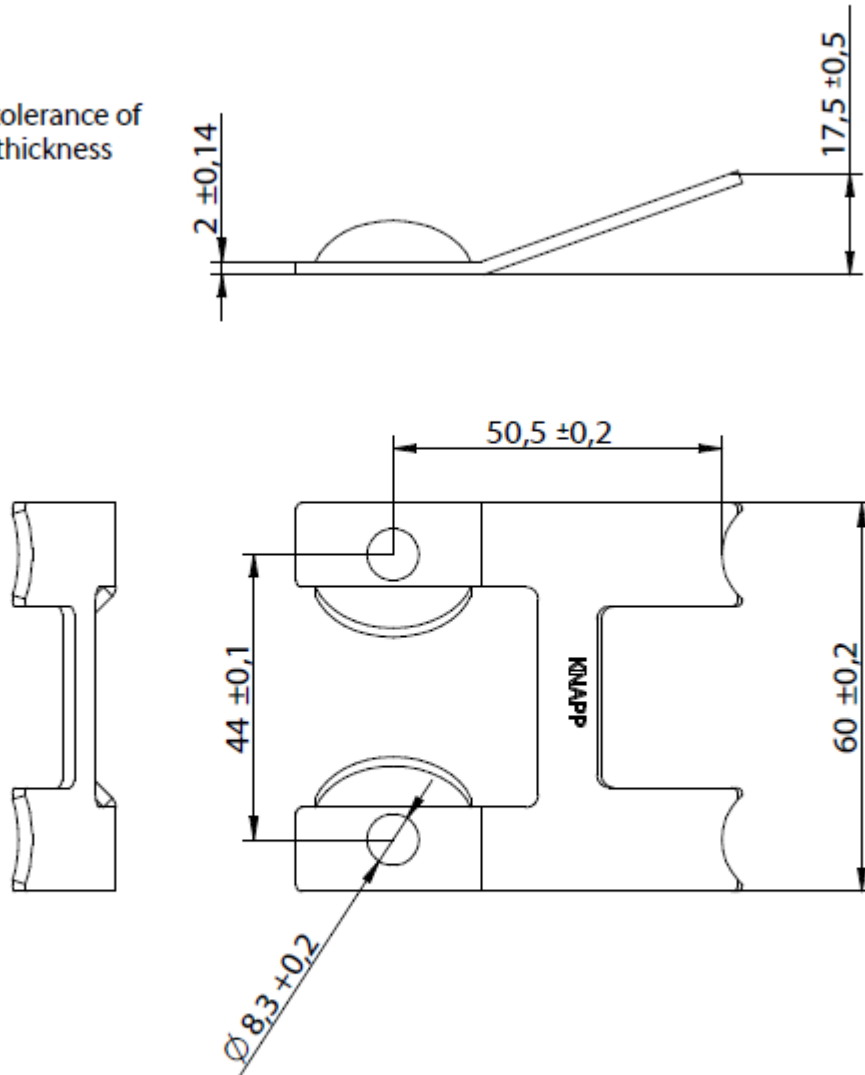
The material properties of the press nut M16 is defined on page 55. The steel grade of the nut M16 is 8 (acc. to EN ISO 898-1; EN ISO 4032); the nut M16 can be fixed by a welding point or similar method (e.g. with adhesive) to avoid turning at the assembly process.



KNAPP® RICON® S 60 clip lock

2.0 mm thick stainless steel grade X10CrNi 18-8 (AISI 302, material No. 1.4310) according to EN 17224-2:1995-11 with minimum tensile strength R_m of 1200 MPa

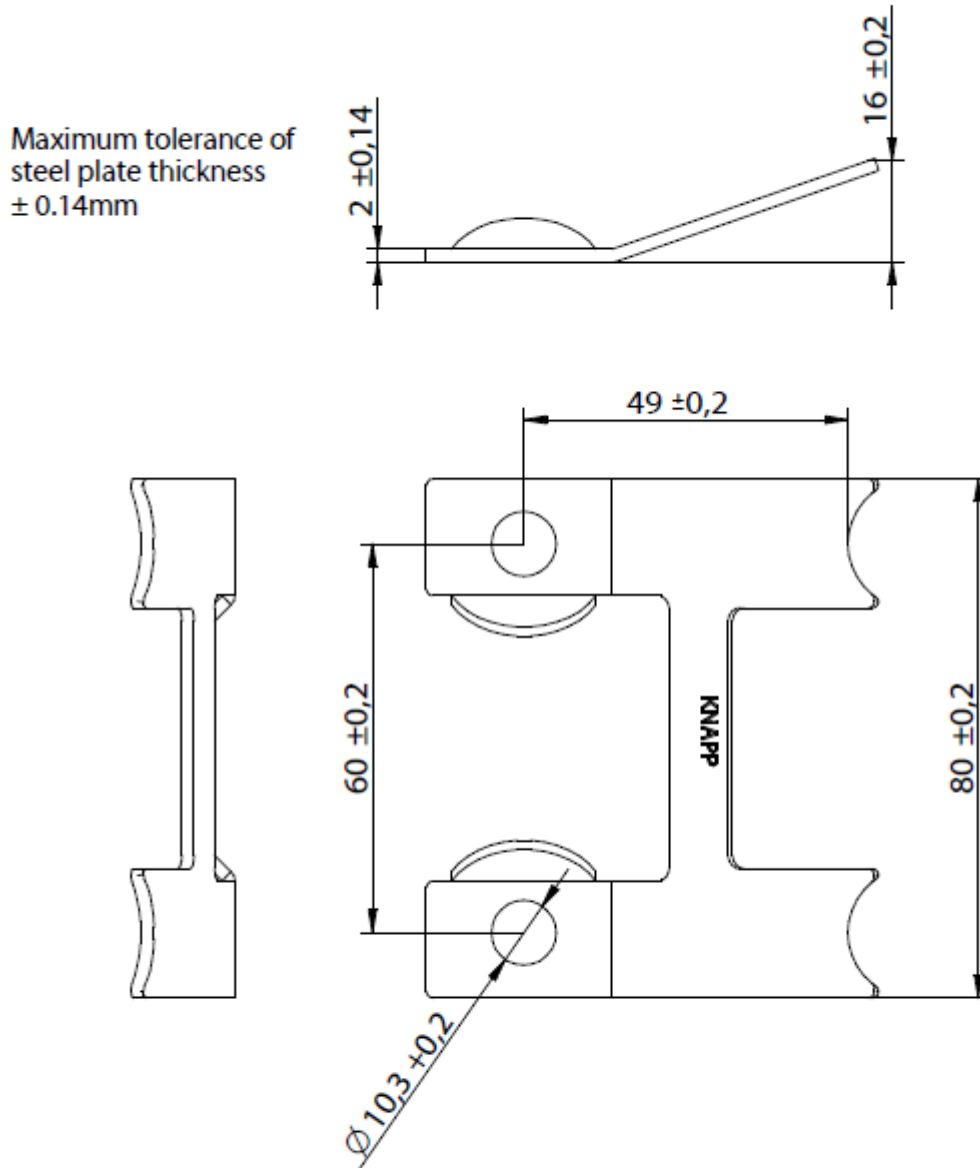
Maximum tolerance of steel plate thickness ± 0.14 mm



1:1
dimensions in mm

KNAPP® RICON® S 80 clip lock

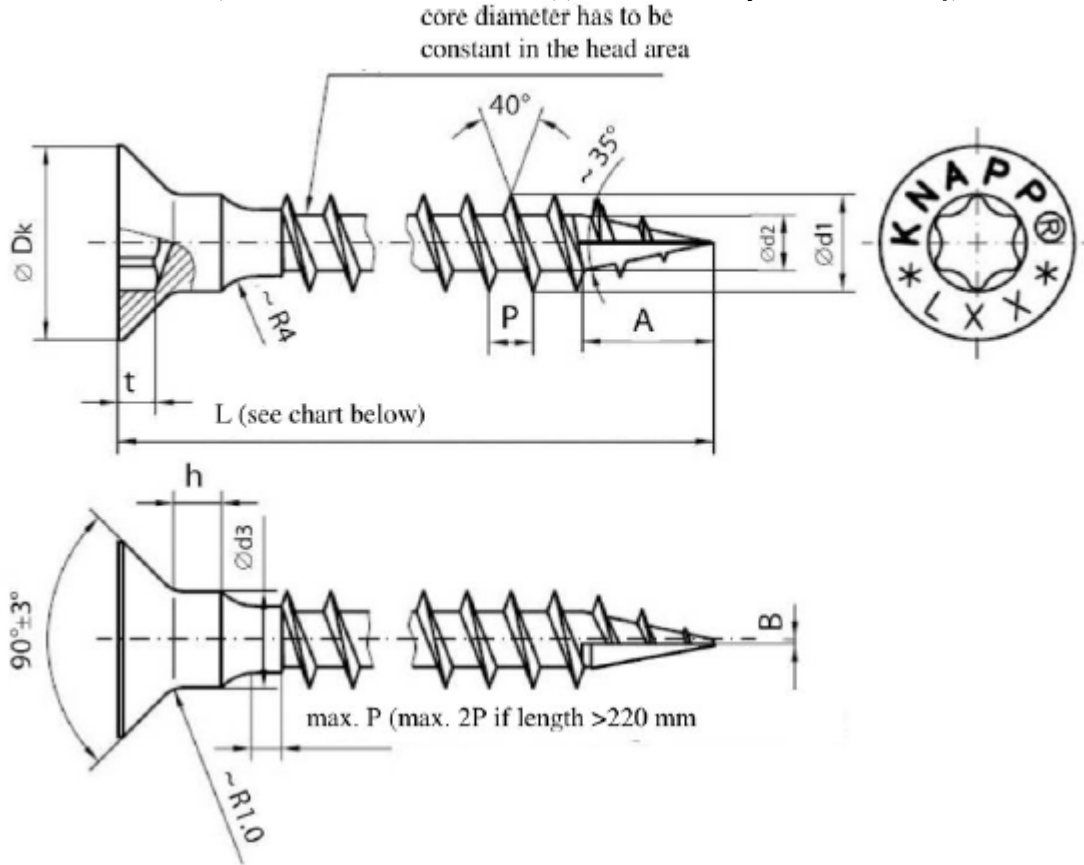
2.0 mm thick stainless steel grade X10CrNi 18-8 (AISI 302, material No. 1.4310) according to EN 17224-2:1995-11 with minimum tensile strength R_m of 1200 MPa



1:1
dimensions in mm

KNAPP® RICON® S screw diameter 8 mm and 10 mm

Screws according to EN 14592 manufactured of carbon steel according to specifications on file at ETA Danmark, corrosion protection according to Eurocode 5-1-1; minimum tension $f_{tens,k}$ of 20 kN and minimum torque $M_{t,u,k}$ of 30 Nm and yield moment $M_{y,k} = 20$ Nm for screw diameter 8 mm; for screw diameter 10 mm is minimum tension $f_{tens,k}$ of 32 kN and minimum $M_{t,u,k} = 50$ Nm and yield moment $M_{y,k} = 35$ Nm



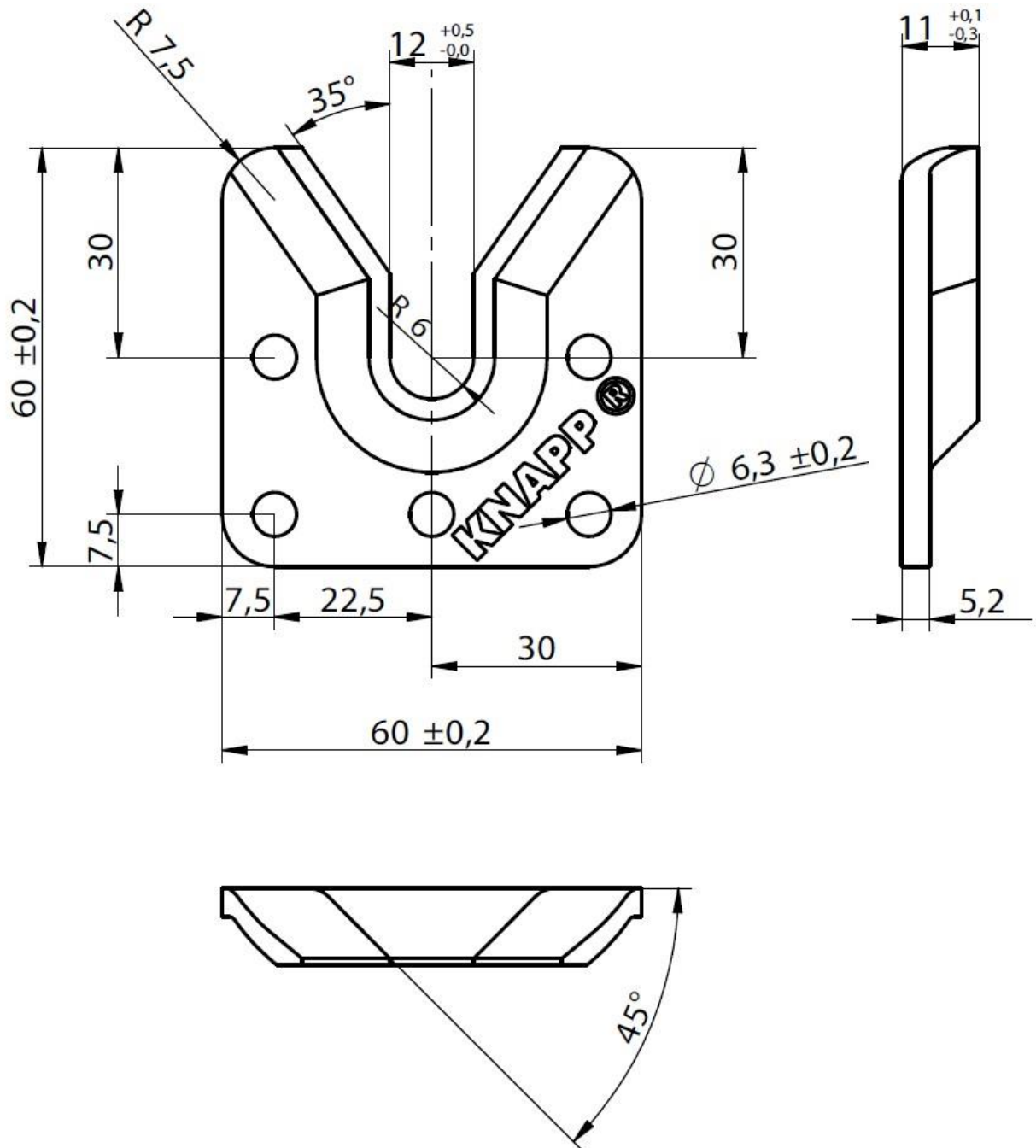
RICON® S60								
nominal Ø d1	wire Ø	bolt Ø	external Ø d1	core Ø d2	gradient P	milling length A	centreptich B	
8.0	5.67-5.79	5.77-5.85	8.0-0.3	5.3-0.3	3.6±0.18	11±1.5	0.1+0.5	
nominal Ø d1	head Ø	joining height h	joining Ø d3	drive	m	t	nominal length L	nominal length L
8.0	15.0-0.8	3.00±0.5	7.4±0.1	6Lobe40-253	6.8	3.05-3.42	80-1.5 50-1.5	160-1.5 240-1.8

RICON® S80								
nominal Ø d1	wire Ø	bolt Ø	external Ø d1	core Ø d2	gradient	milling	centreptich	
10.0	6.95-6.98	6.96-7.05	10.0-0.3	6.3-0.3	4.5±0.18	13±1.5	0.1+0.5	
nominal Ø d1	head Ø	joining height h	joining Ø d3	drive	m	t	nominal length L	nominal length L
10.0	18.5-0.9	3.20±0.5	9.4±0.1	6Lobe40-250	6.8	3.43-3.80	100-1.8 60-1.5	200-1.8 300-1.8

dimensions in mm

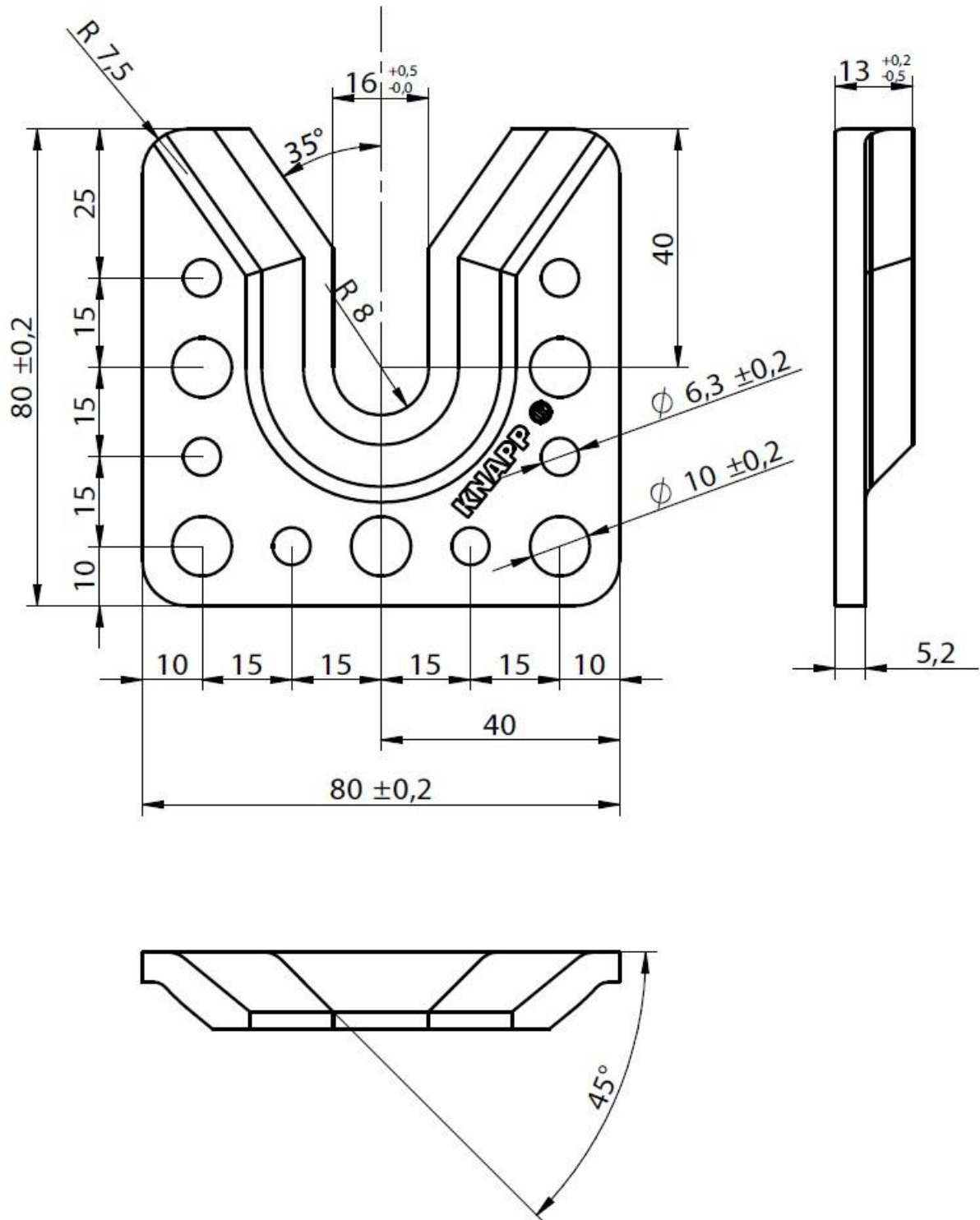
KNAPP® Clip Connector WALCO® V 60

5.2 mm thick steel grade DD13 according to EN 10111:2008-06 with yield strength R_e of 235 MPa;
Corrosion protection according to Eurocode 5-1-1



KNAPP® Clip Connector WALCO® V 80

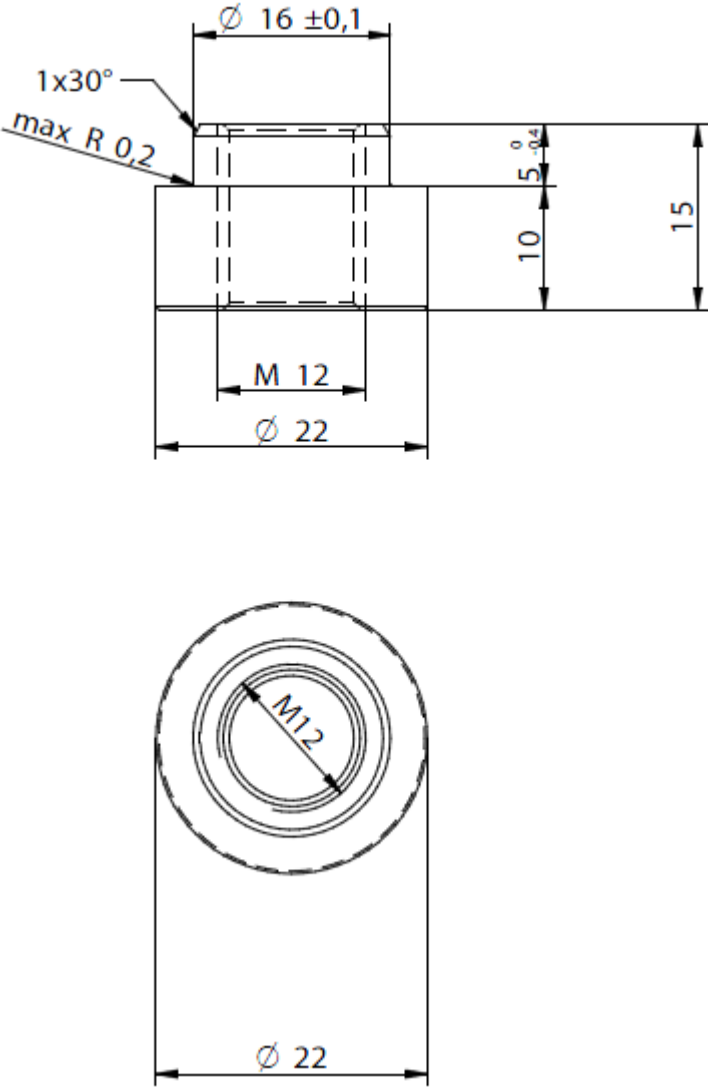
5.2 mm thick steel grade DD13 according to EN 10111:2008-06 with yield strength R_e of 235 MPa;
Corrosion protection according to Eurocode 5-1-1



KNAPP® WALCO® V threaded sleeve for WALCO 60 base plate

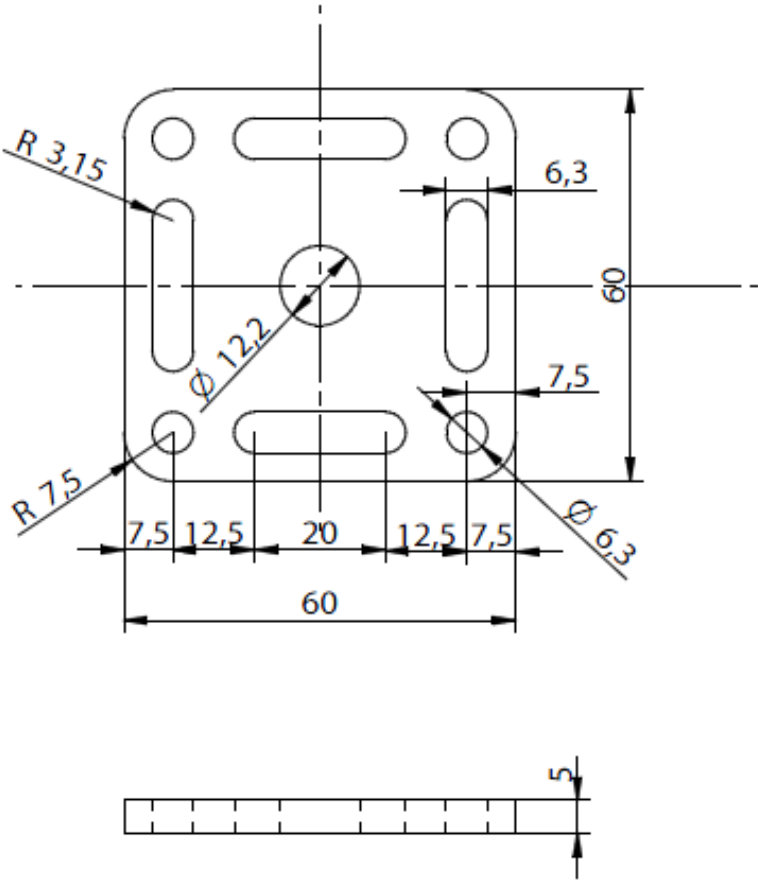
M12 threaded sleeve of pre-galvanized steel grade 16MnCrS5 according to EN 10277-4 with HBW values 156 - 207

Corrosion protection according to Eurocode 5-1-1 (>5mm zinc coating)



KNAPP® Clip Connector WALCO® 60 VS base plate

5.0 mm thick steel grade DD13 according to EN 10111:2008-06 with minimum yield strength Re of 235 MPa; Corrosion protection according to Eurocode 5-1-1

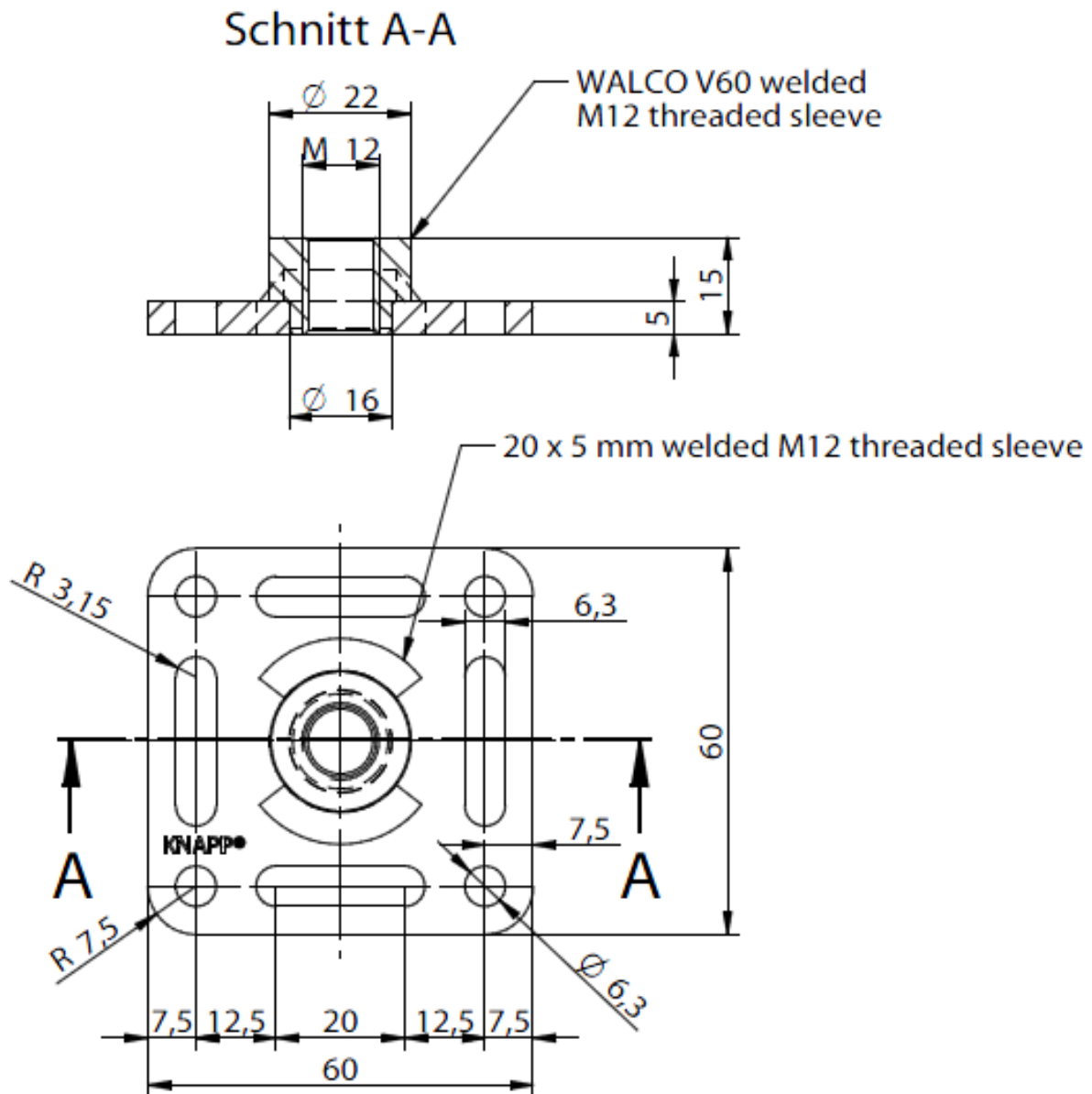


KNAPP® Clip Connector WALCO® 60 M12 welded

5.0 mm thick steel grade DD13 according to EN 10111:2008-06 with minimum yield strength Re of 235 MPa;

M12 threaded sleeve of pre-galvanized steel grade 16MnCrS5 according to EN 10277-4 with HBW values 156 - 20

Corrosion protection according to Eurocode 5-1-1



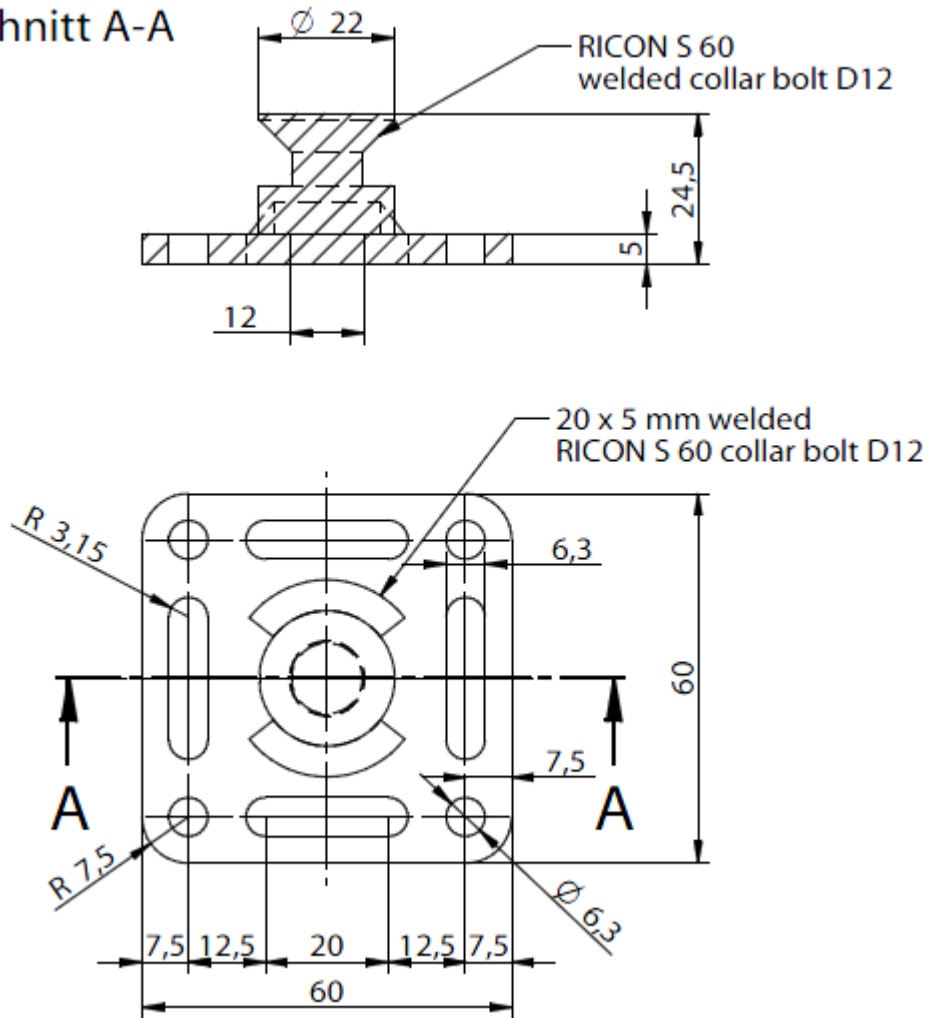
KNAPP® Clip Connector WALCO® 60 VS

5.0 mm thick steel grade DD13 according to EN 10111:2008-06 with minimum yield strength R_e of 235 MPa;

Collar bolt of steel grade 16 MnCr5 according to EN 10084 with HBW values 156-207

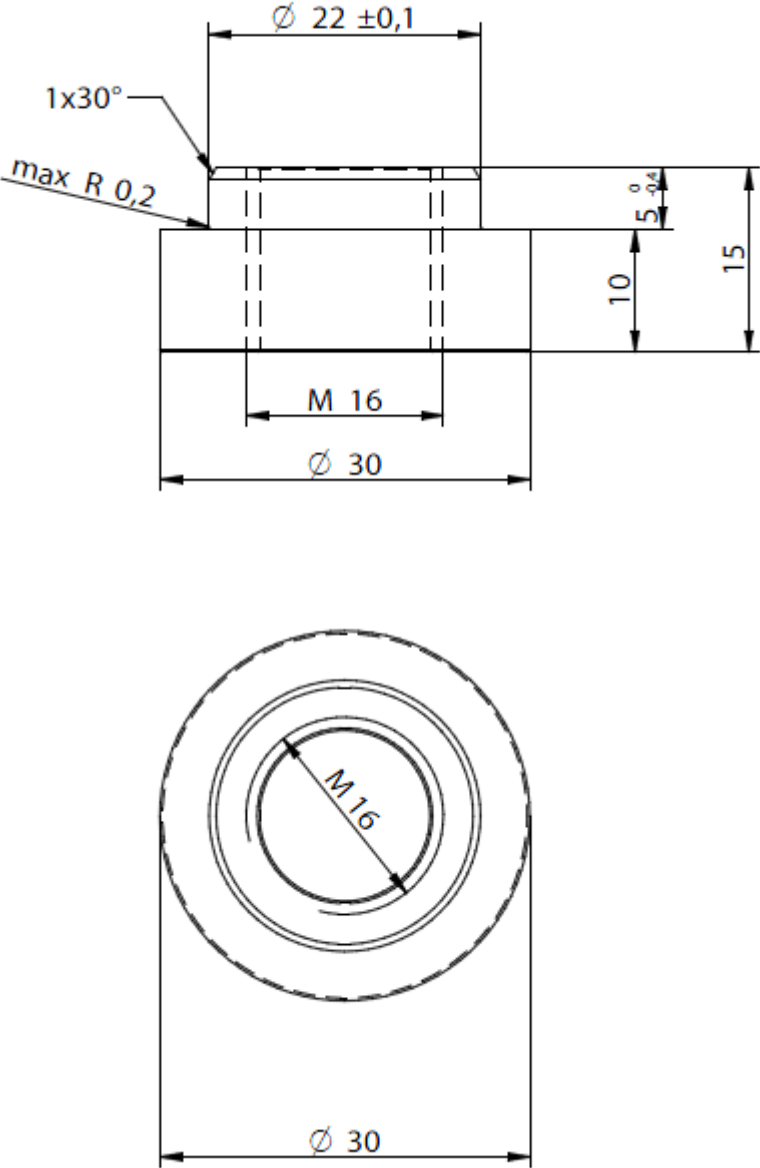
Corrosion protection according to Eurocode 5-1-1

Schnitt A-A



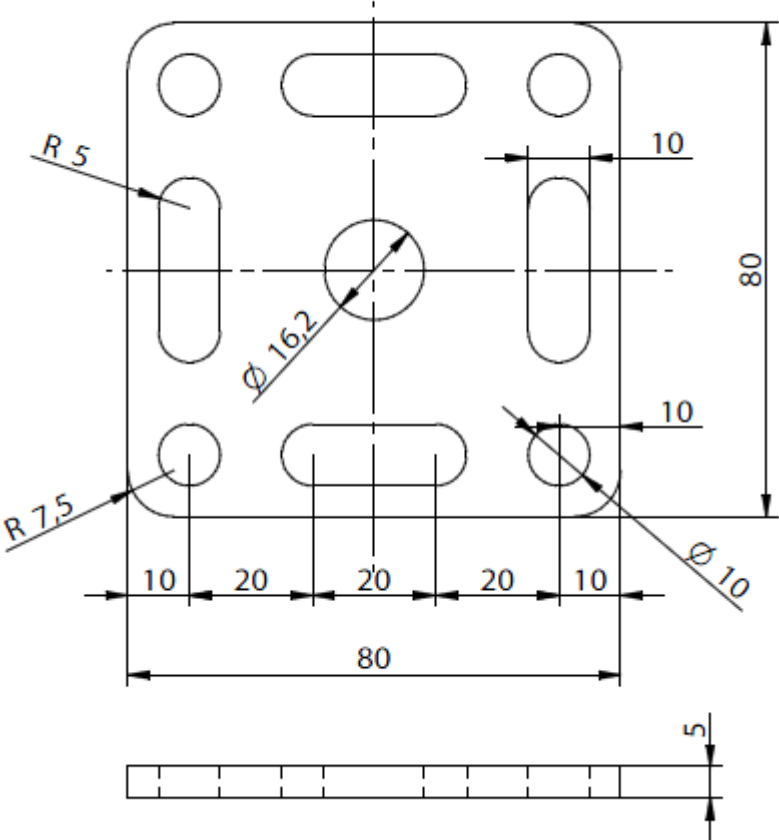
KNAPP® WALCO® V threaded sleeve for WALCO 80 base plate

M16 threaded sleeve of pre-galvanized steel grade 16MnCrS5 according to EN 10277-4 with HBW values 156 - 207
Corrosion protection according to Eurocode 5-1-1 (>5mm zinc coating)



KNAPP® Clip Connector WALCO® 80 VS base plate

5.0 mm thick steel grade DD13 according to EN 10111:2008-06 with minimum yield strength Re of 235 MPa; Corrosion protection according to Eurocode 5-1-1

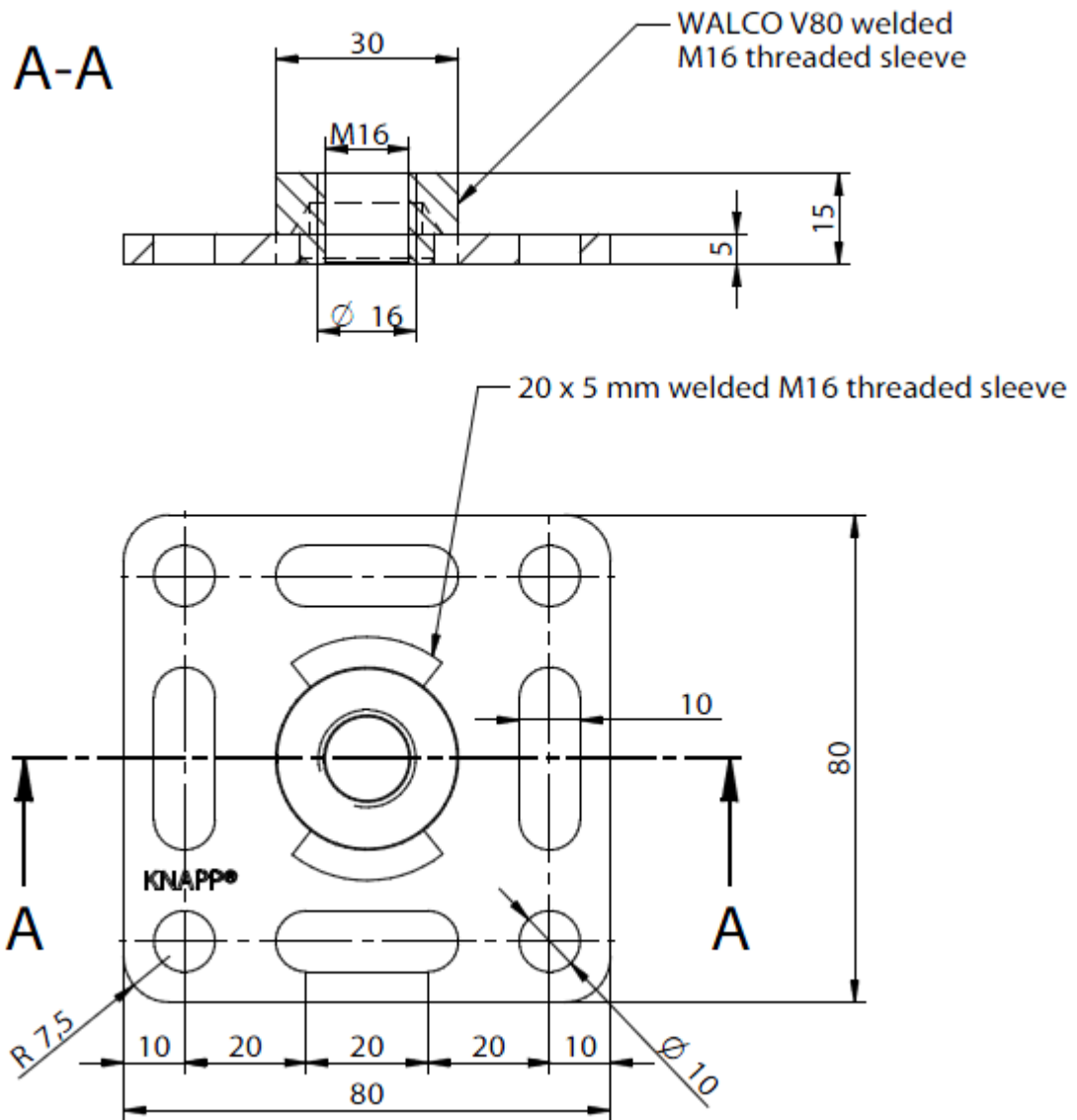


KNAPP® Clip Connector WALCO® 80 M16 welded

5.0 mm thick steel grade DD13 according to EN 10111:2008-06 with minimum yield strength R_e of 235 MPa;

M12 threaded sleeve of pre-galvanized steel grade 16MnCrS5 according to EN 10277-4 with HBW values 156 - 20

Corrosion protection according to Eurocode 5-1-1

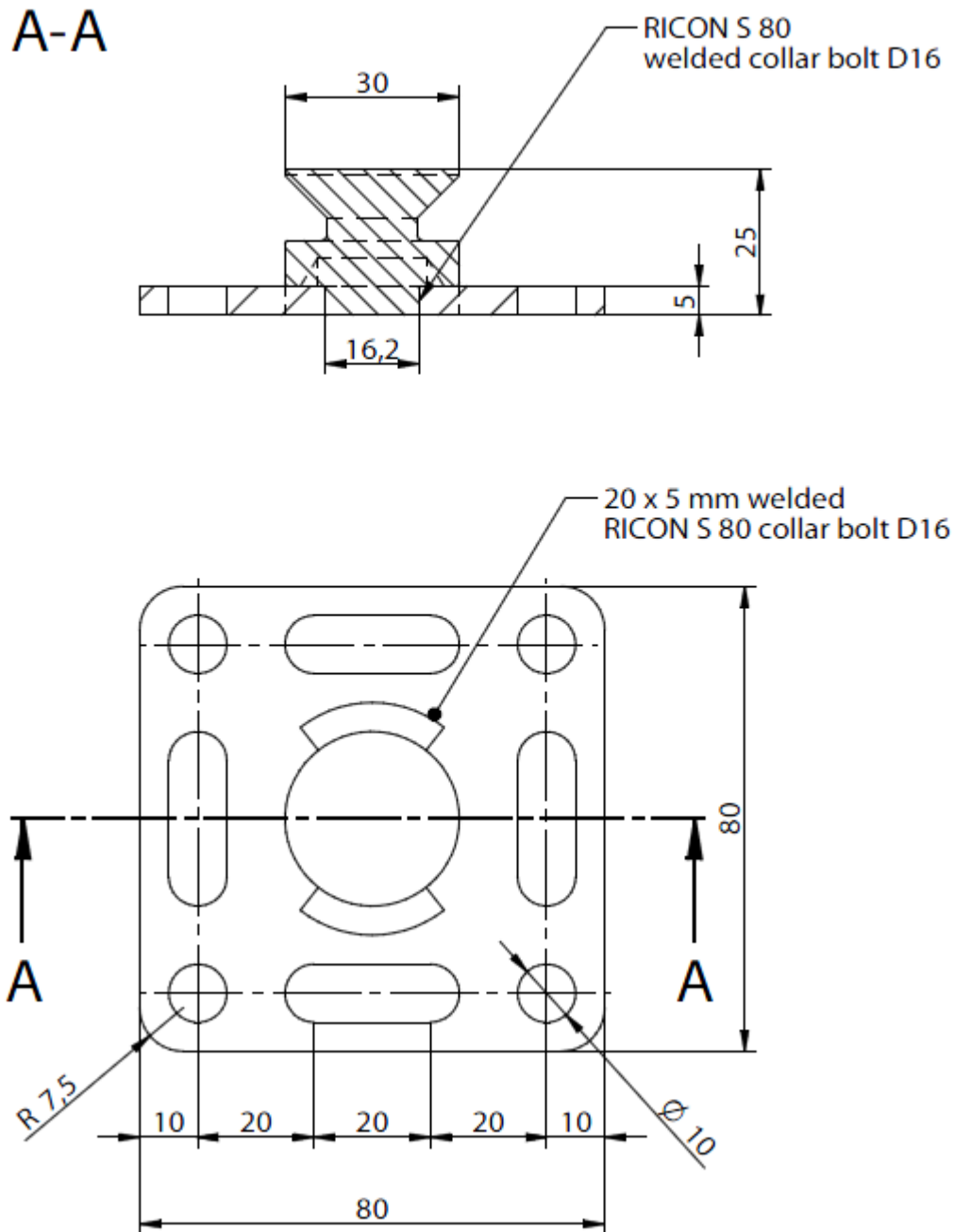


KNAPP® Clip Connector WALCO® 80 VS

5.0 mm thick steel grade DD13 according to EN 10111:2008-06 with minimum yield strength R_e of 235 MPa;

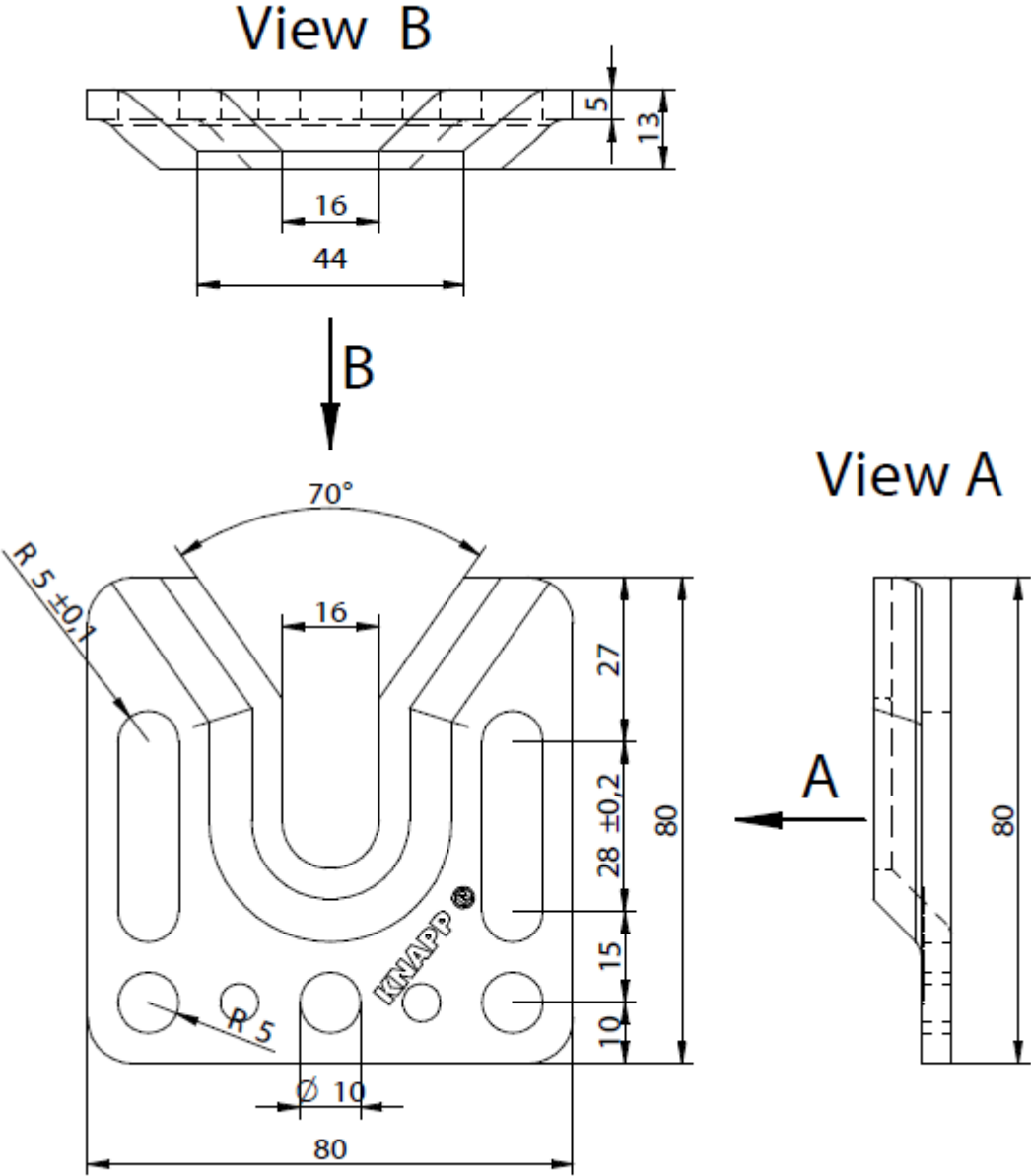
Collar bolt of steel grade 16 MnCr5 according to EN 10084 with HBW values 156-207

Corrosion protection according to Eurocode 5-1-1



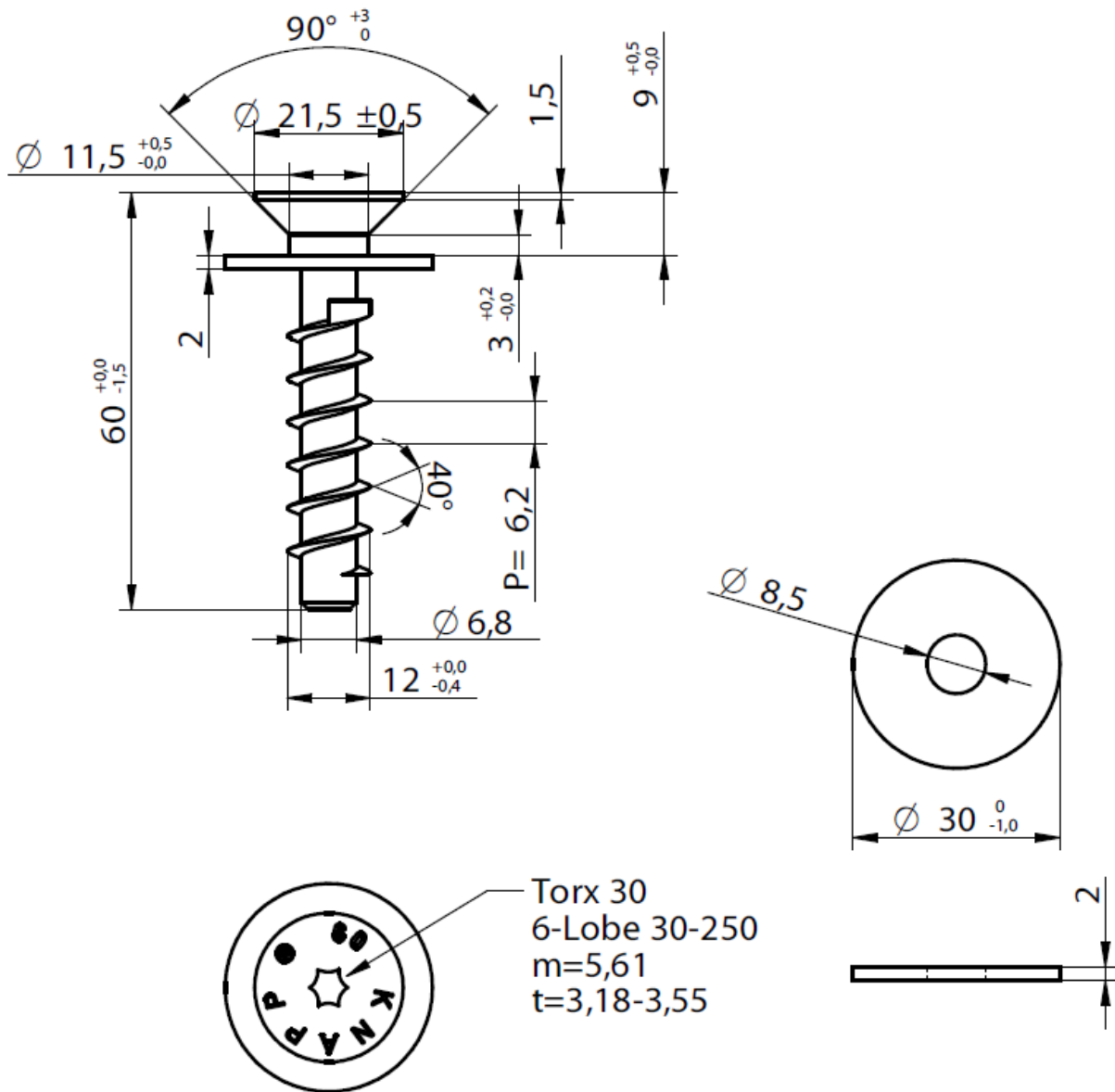
WALCO® V 80 oblong hole base plate

5.0 mm thick steel grade DD13 according to EN 10111:2008-06 with minimum yield strength Re of 235 MPa; Corrosion protection according to Eurocode 5-1-1



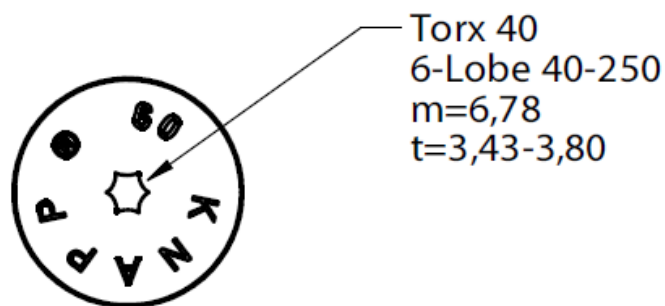
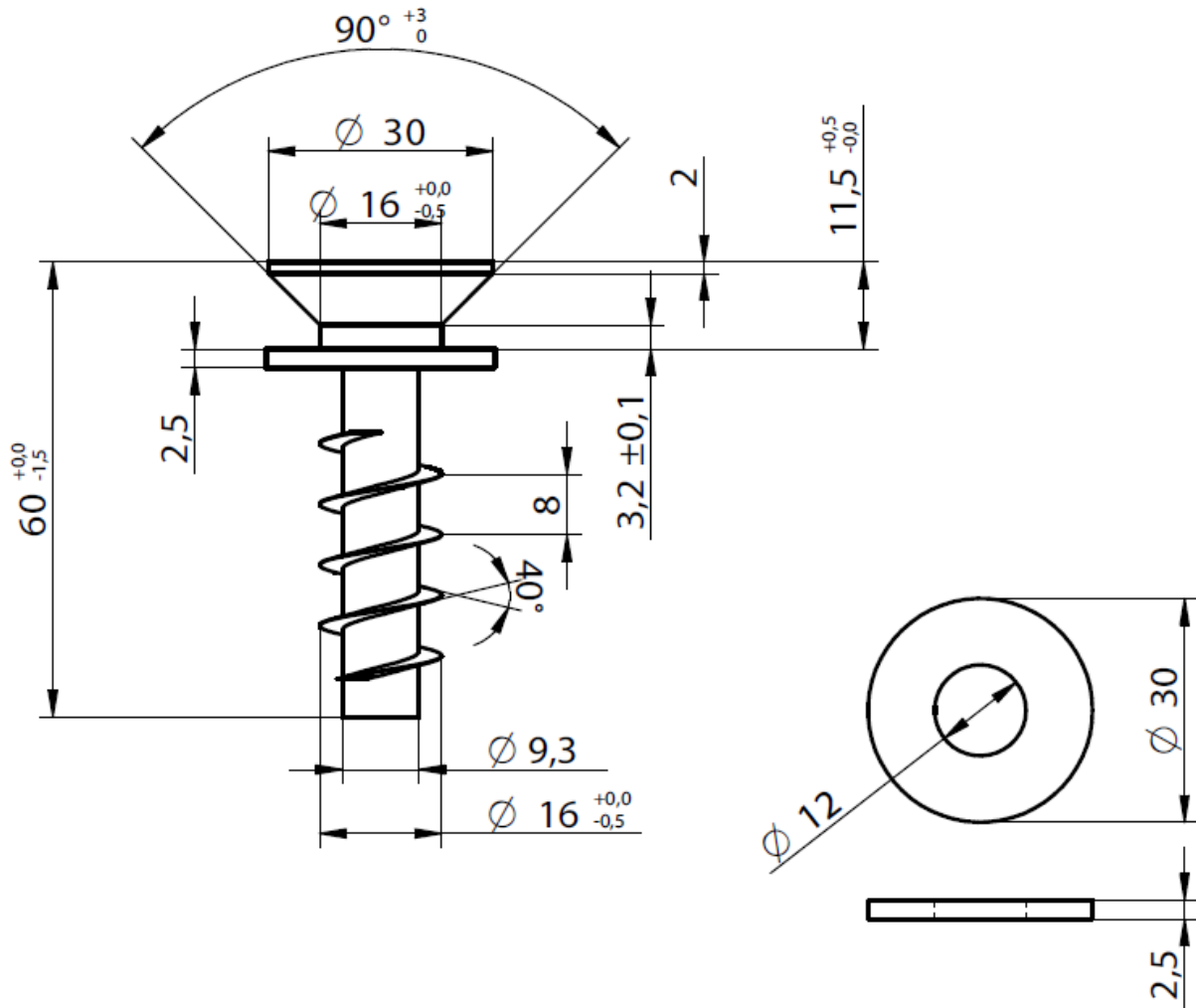
KNAPP® Clip Connector WALCO® V collar screw KS 12x60

Screws according to EN 14592 with tensile capacity $R_{t,u,k}$ of 29 kN; corrosion protection according to Eurocode 5;



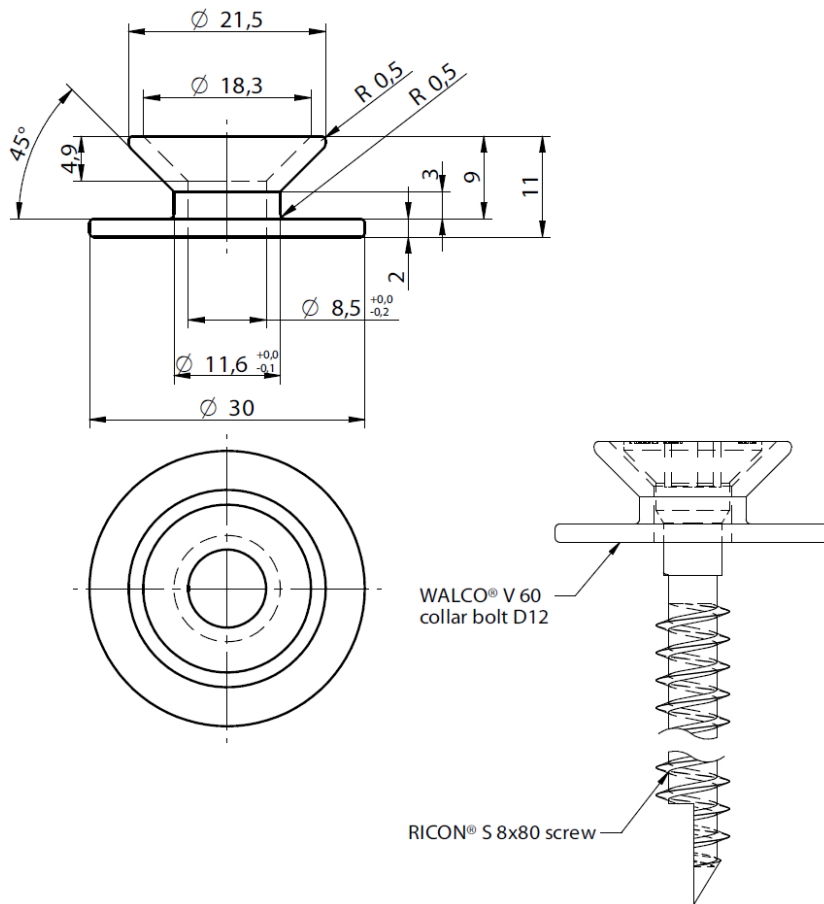
KNAPP® Clip Connector WALCO® V collar screw KS 16x60

Screws according to EN 14592 with tensile capacity $R_{t,u,k}$ of 48 kN; corrosion protection according to Eurocode 5 ($\geq 5 \mu\text{m}$ zinc coating);



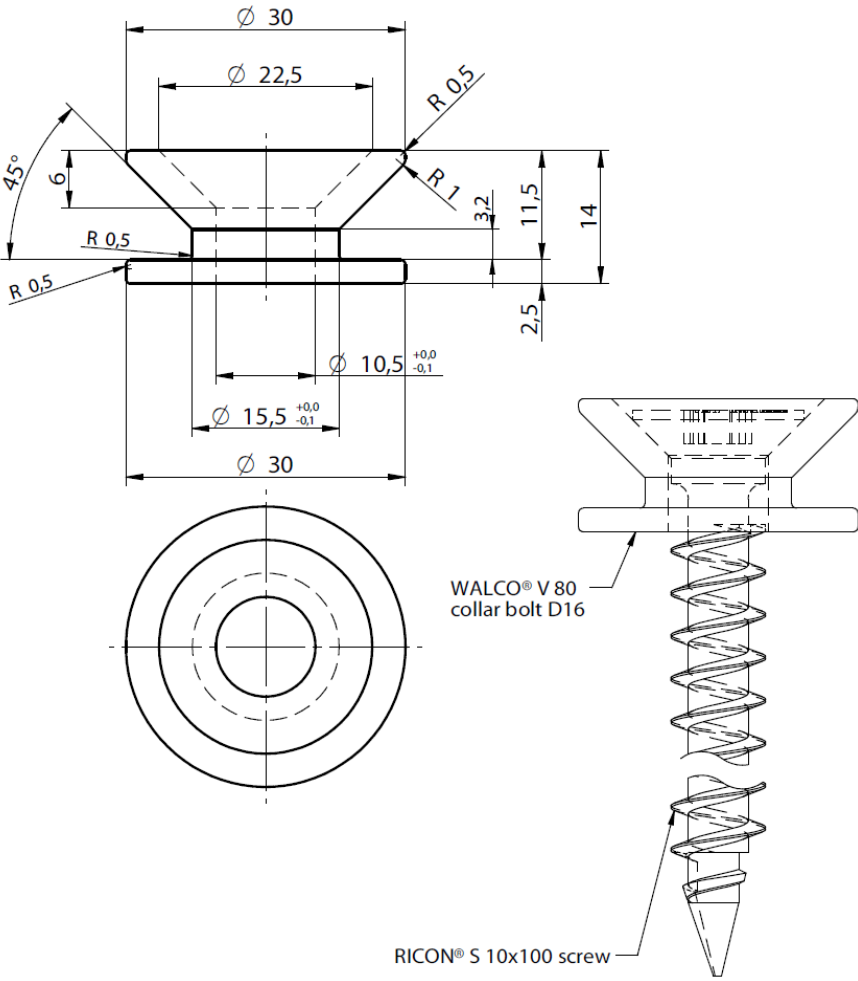
KNAPP® WALCO® V 60 collar bolt D12

Collar bolt of pre-galvanized steel grade 11SMnPb30 according to EN 10277-3 with yield strength R_{eH} of 410 MPa, tensile strength R_m of 490 MPa, maximum tensile strength R_m of 760 and minimum ultimate strain A80 of 7%; corrosion protection according to Eurocode 5-1-1



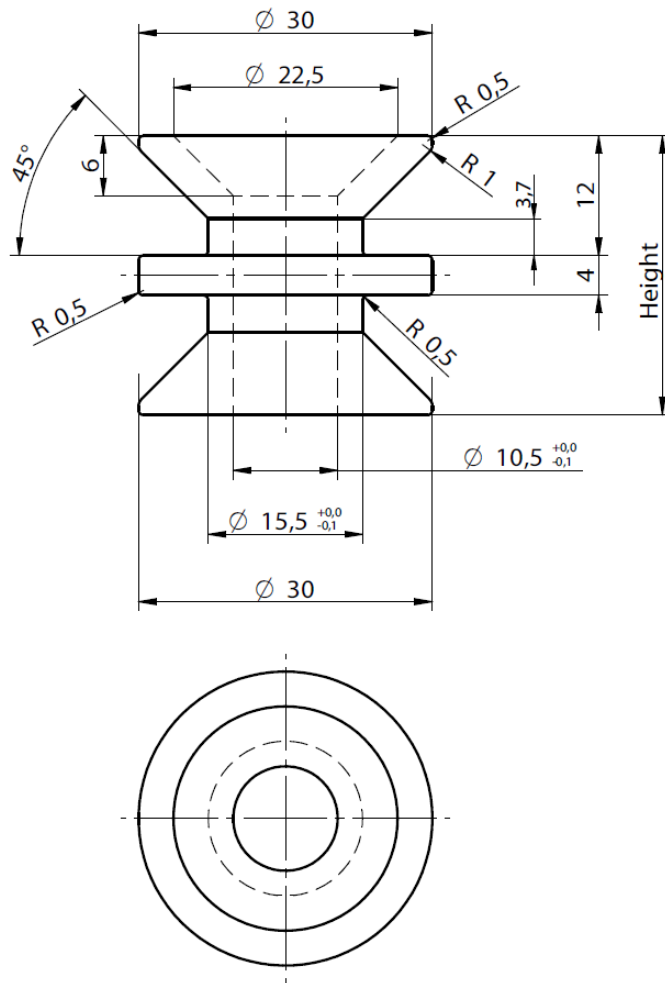
KNAPP® WALCO® V 80 collar bolt D16

Collar bolt of pre-galvanized steel grade 11SMnPb30 according to EN 10277-3 with yield strength R_{eH} of 410 MPa, tensile strength R_m of 490 MPa, maximum tensile strength R_m of 760 and minimum ultimate strain A_{80} of 7%; Corrosion protection according to Eurocode 5-1-1 ($\geq 5 \mu\text{m}$ zinc coating)



KNAPP® WALCO® V 80 double collar bolt D16 *)

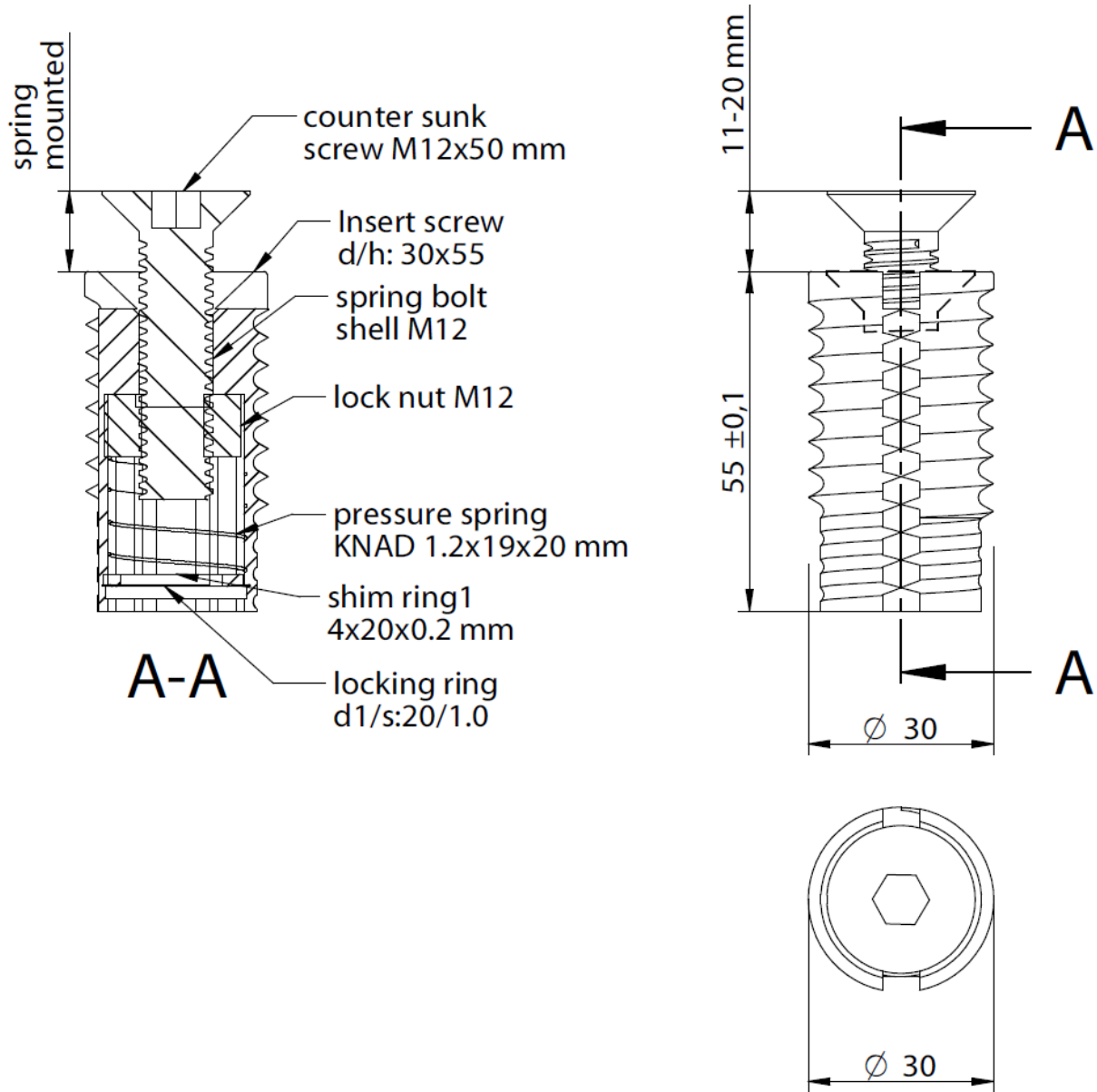
Collar bolt of pre-galvanized steel grade 11SMnPb30 according to EN 10277-3 with yield strength R_{eH} of 410 MPa, tensile strength R_m of 490 MPa, maximum tensile strength R_m of 760 and minimum ultimate strain A_{80} of 7%;
Corrosion protection according to Eurocode 5-1-1



*) KNAPP® WALCO® V60 double collar bolt D12 is in principal similar as the given drawing

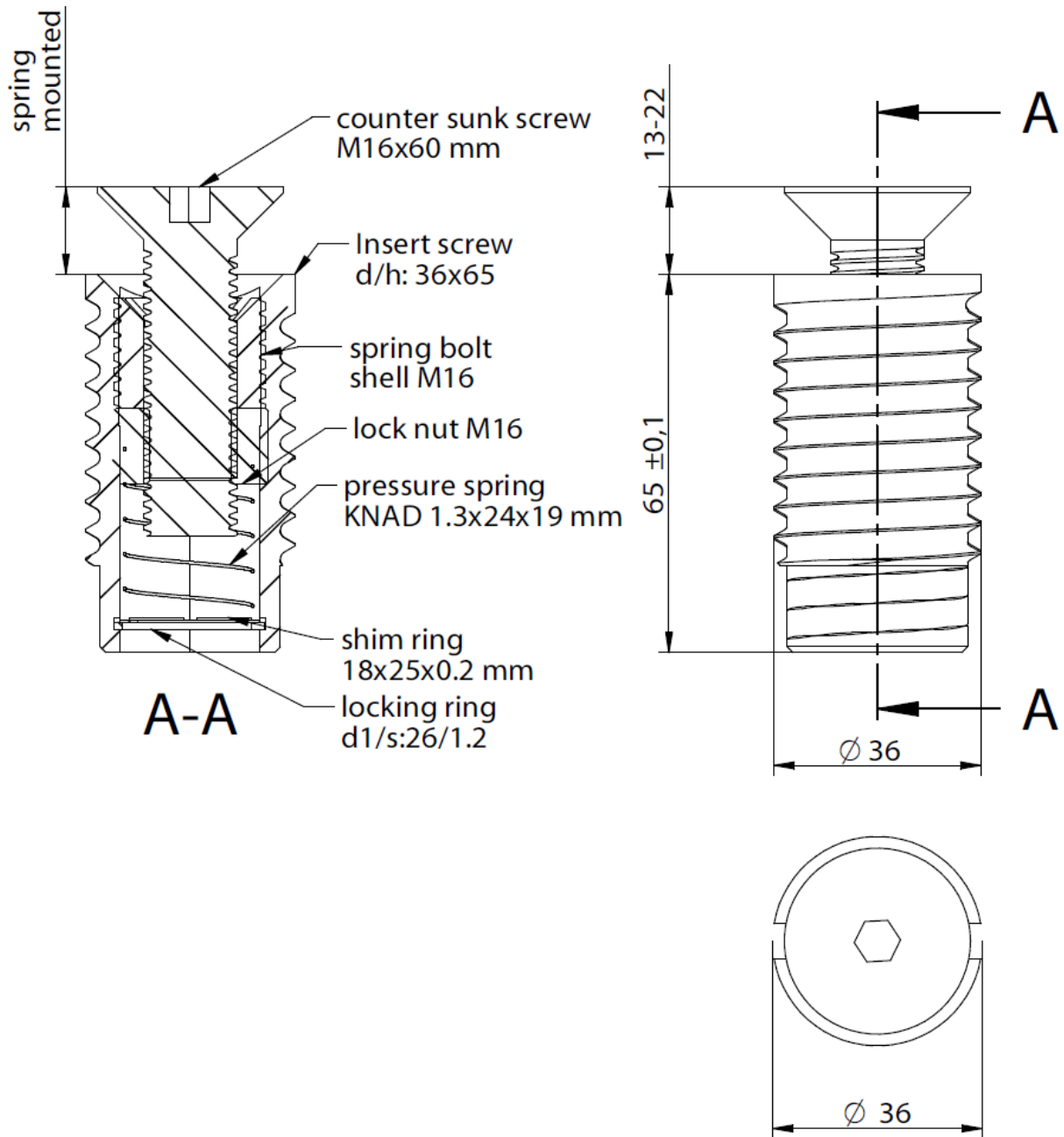
KNAPP® WALCO® V 60 spring retaining screw collar bolt M12

Collar bolt and locknut of pre-galvanized steel grade 11SMnPb30 according to EN 10277-3 with yield strength R_{eH} of 410 MPa, tensile strength R_m of 490 MPa, maximum tensile strength R_m of 760 and ultimate strain A_{80} of 7%; counter sink screw of pre-galvanized steel grade 8.8 according to EN ISO 898-1; pressure spring of unalloyed spring steel with specification SM according to EN 10270-1, tensile strength R_m of 1900 MPa, maximum tensile strength R_m of 2160 and ultimate strain A_{80} of 40%;



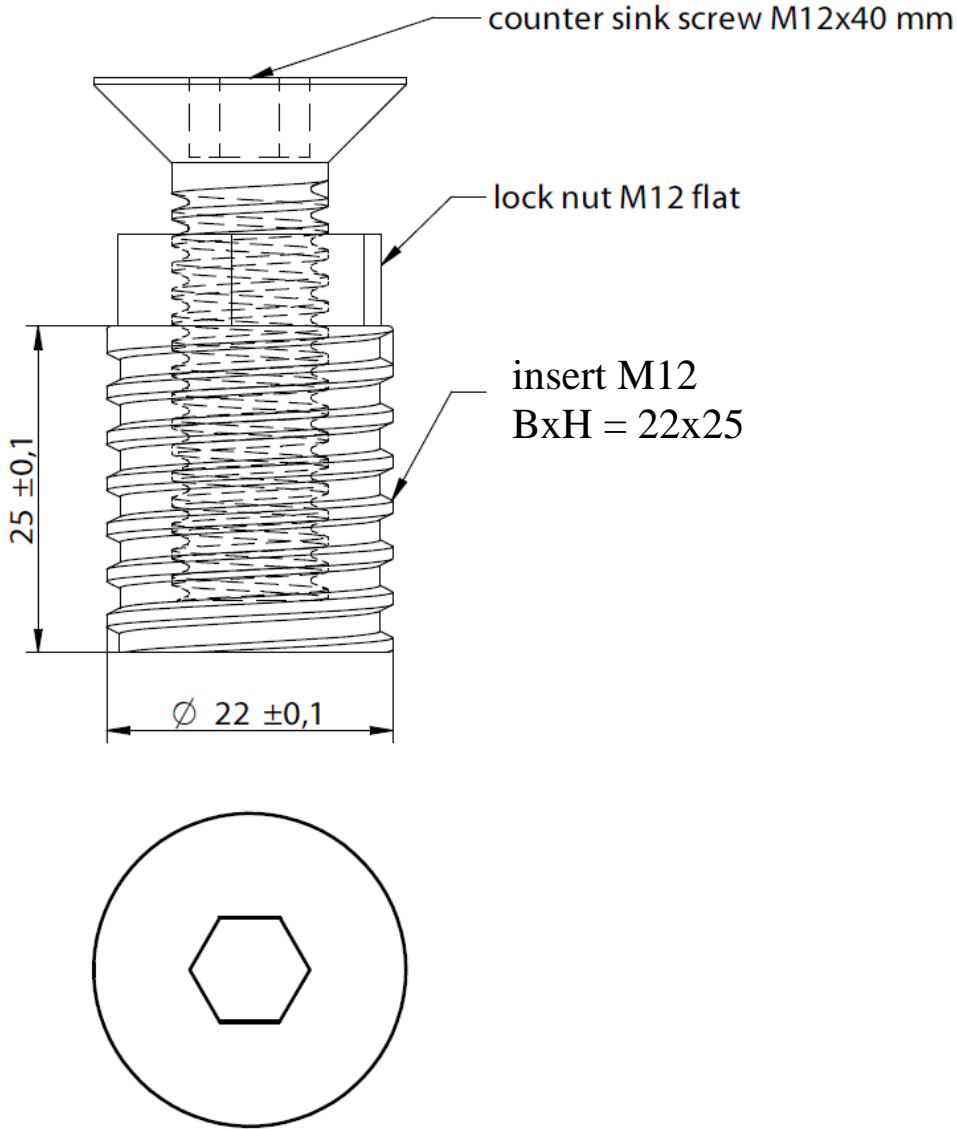
KNAPP® WALCO® V 80 spring retaining screw collar bolt M16

Collar bolt and locknut of pre-galvanized steel grade 11SMnPb30 according to EN 10277-3 with yield strength R_{eH} of 410 MPa, tensile strength R_m of 490 MPa, maximum tensile strength R_m of 760 and ultimate strain A_{80} of 7%; counter sink screw of pre-galvanized steel grade 8.8 according to EN ISO 898-1; pressure spring of unalloyed spring steel with specification SM according to EN 10270-1, tensile strength R_m of 1900 MPa, maximum tensile strength R_m of 2160 and minimum ultimate strain A_{80} of 40%;



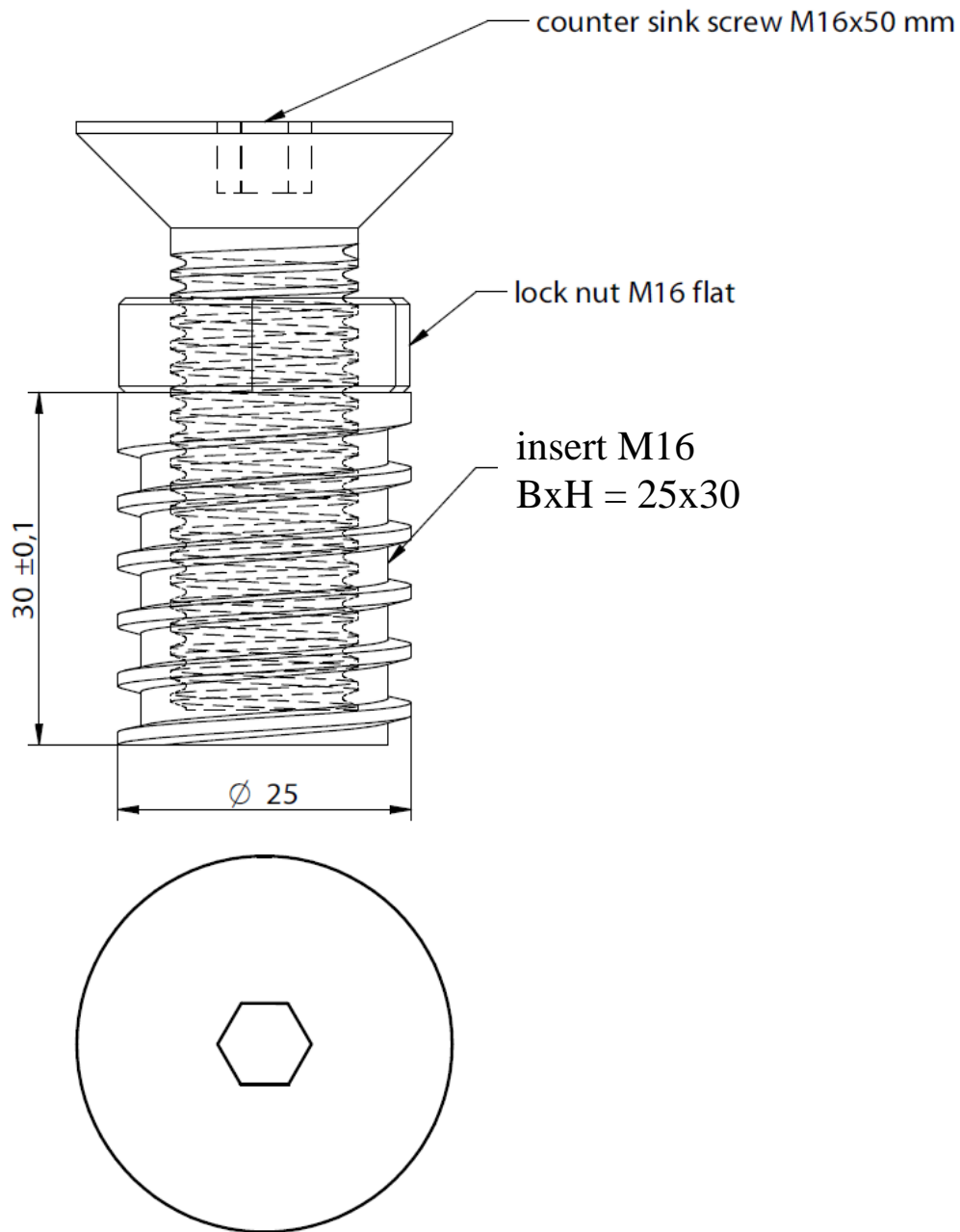
KNAPP® WALCO® V 60 retaining screw collar bolt M12

Retaining screw bolt, lock nut and insert of pre-galvanized steel grade according to EN ISO 898-1; counter sink screw and lock nut of pre-galvanized steel grade 8.8 according to EN ISO 898-1; Corrosion protection according to Eurocode 5-1-1



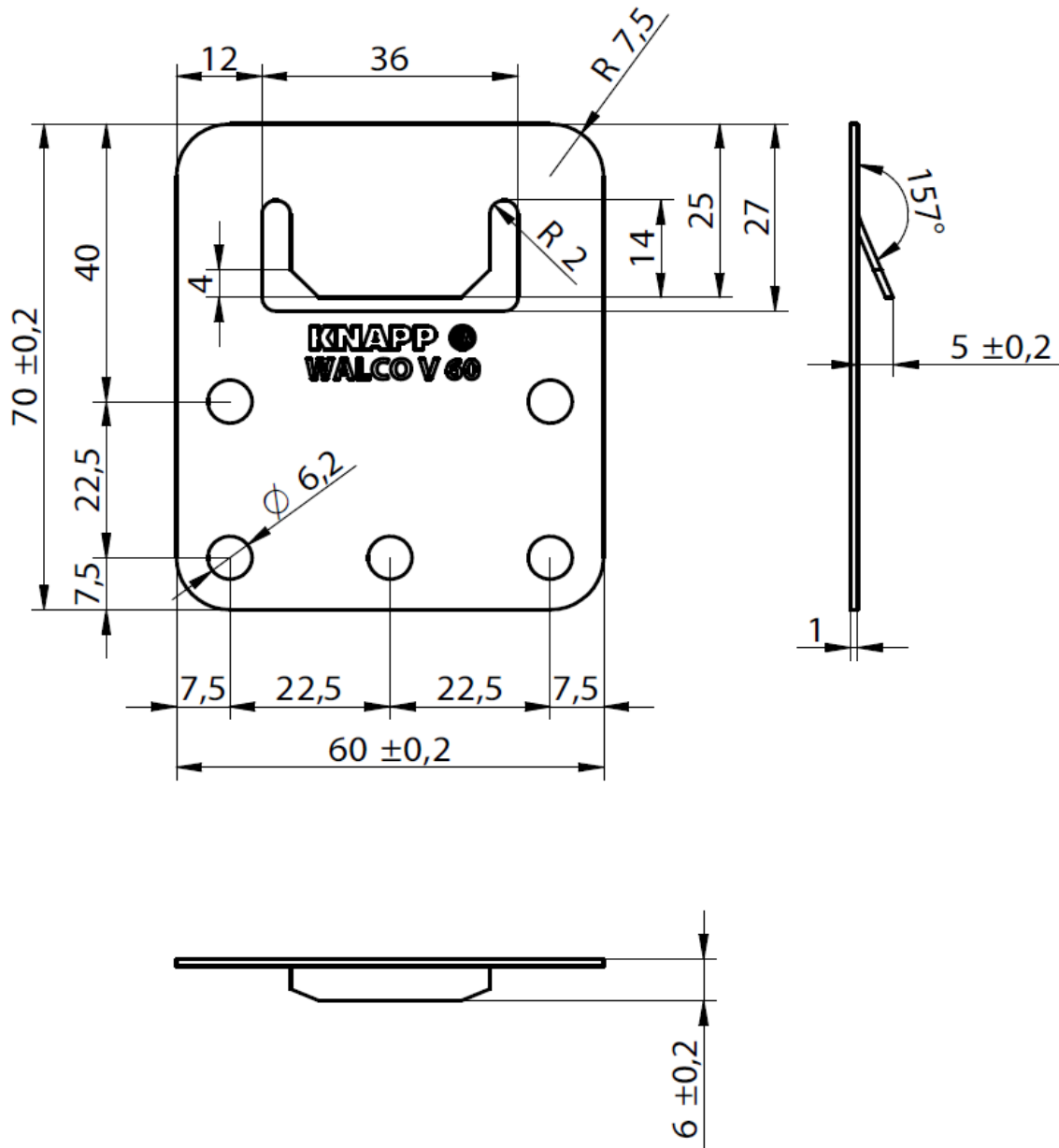
KNAPP® WALCO® V 80 retaining screw collar bolt M16

Retaining screw bolt, lock nut and insert of pre-galvanized steel grade according to EN ISO 898-2; counter sink screw and lock nut of pre-galvanized steel grade 8.8 according to EN ISO 898-1;
Corrosion protection according to Eurocode 5-1-1



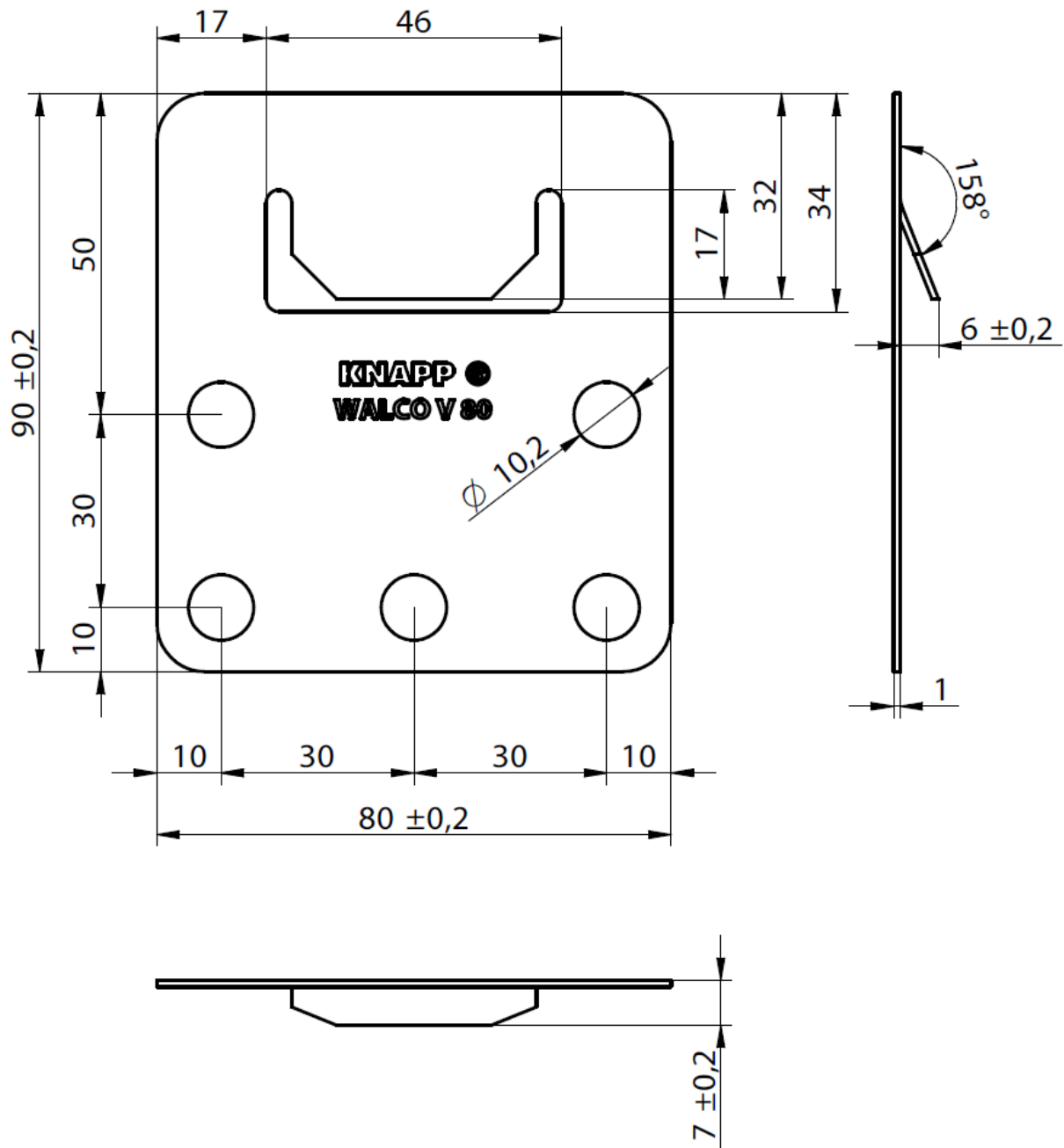
KNAPP® WALCO® V 60 clip lock

1.0 mm thick stainless steel grade X5CrNi18-10 material number 1.4301 according to EN 10151 with tensile strength R_m of 1100 MPa)



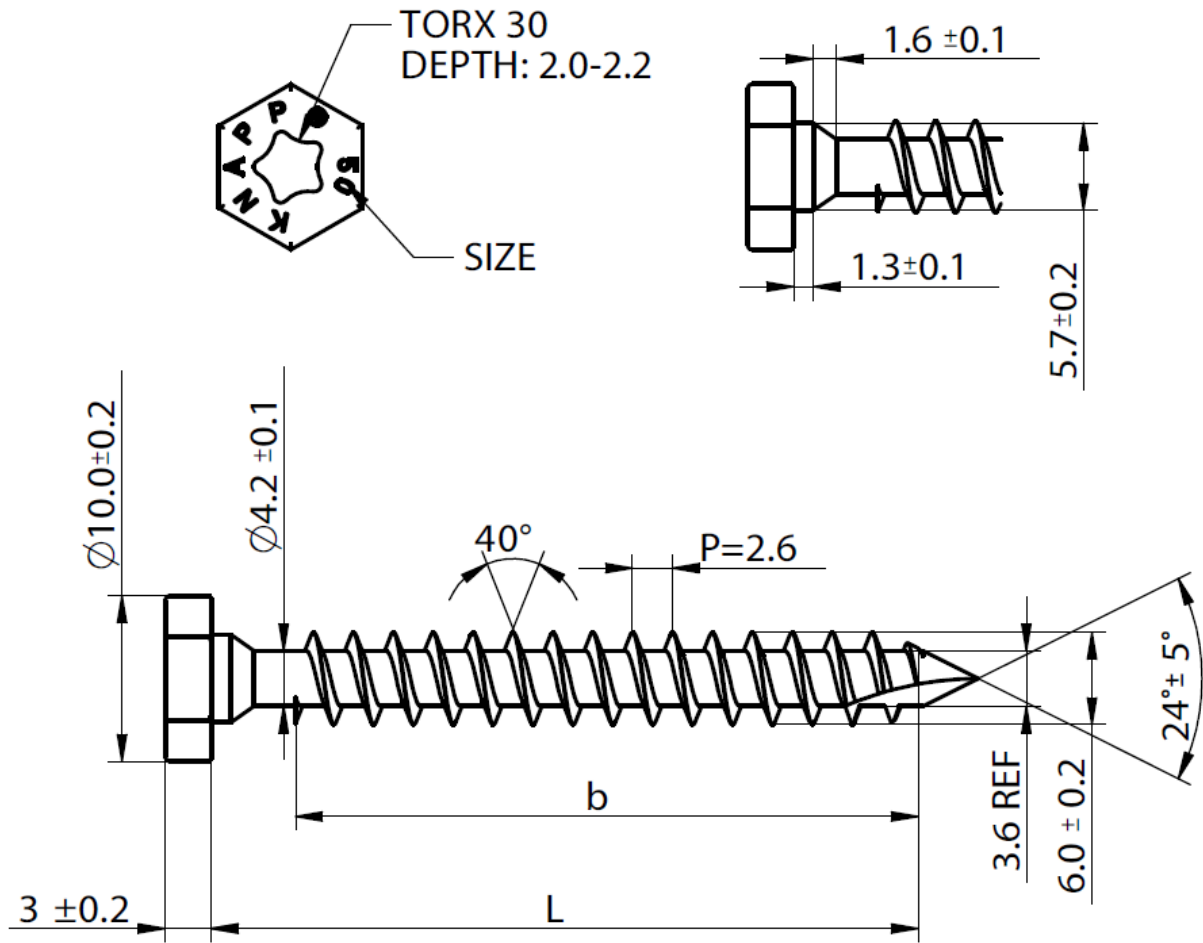
KNAPP® WALCO® V 80 clip lock

1.0 mm thick stainless steel grade X5CrNi18-10 material number 1.4301 according to EN 10151 with tensile strength R_m of 1100 MPa)



KNAPP® WALCO® V PH screw 6x50, 6x80

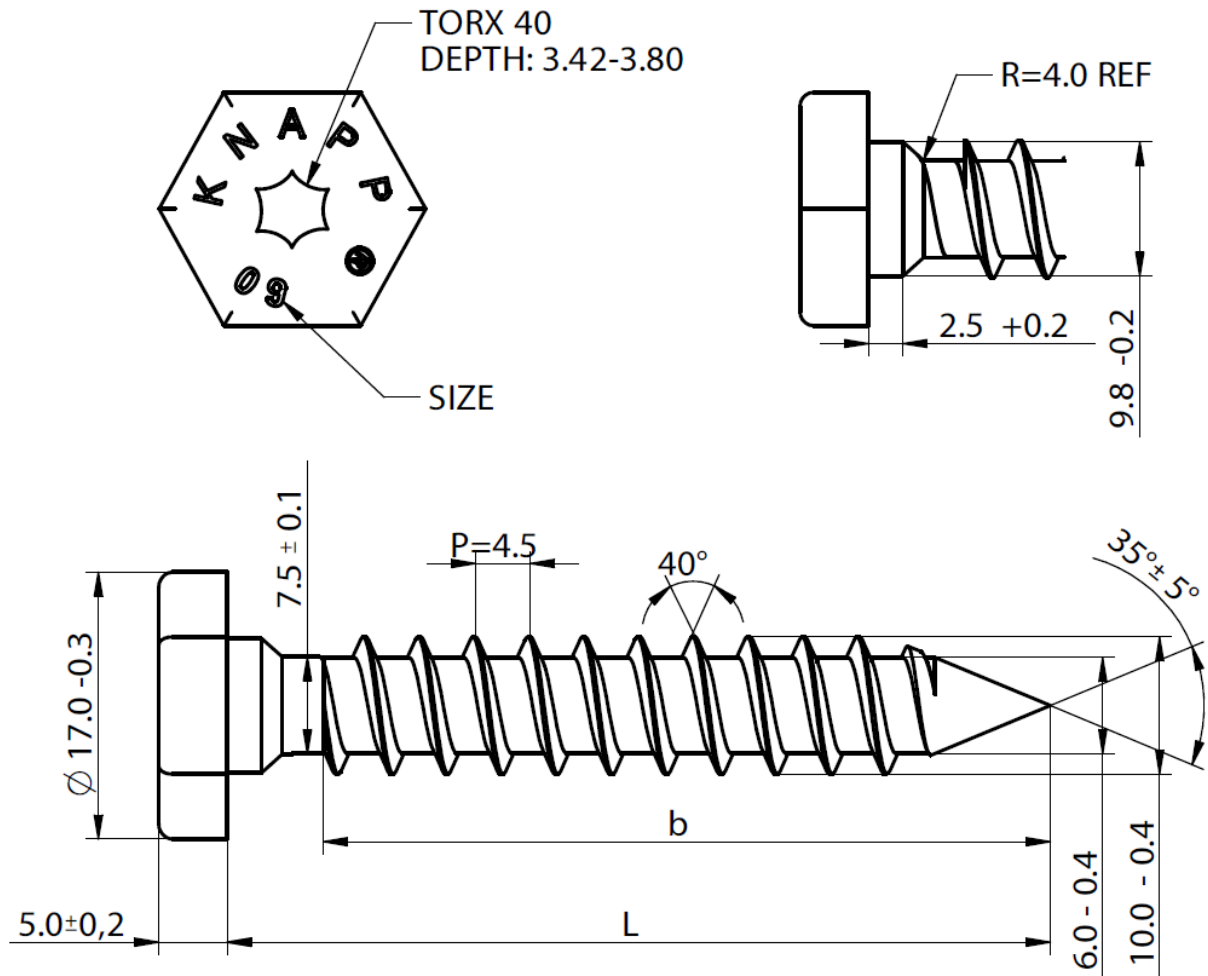
Screws according to EN 14592 manufactured of carbon steel, tension $f_{tens,k}$ of 10,5 kN and torque $M_{t,u,k}$ of 10,5 Nm; corrosion protection according to Eurocode 5-1-1;



L	50 - 1,5	80 - 3,0
b	45 - 1,0	76 - 1,0

KNAPP® WALCO® V PH screw 10x50, 10x60, 10x100

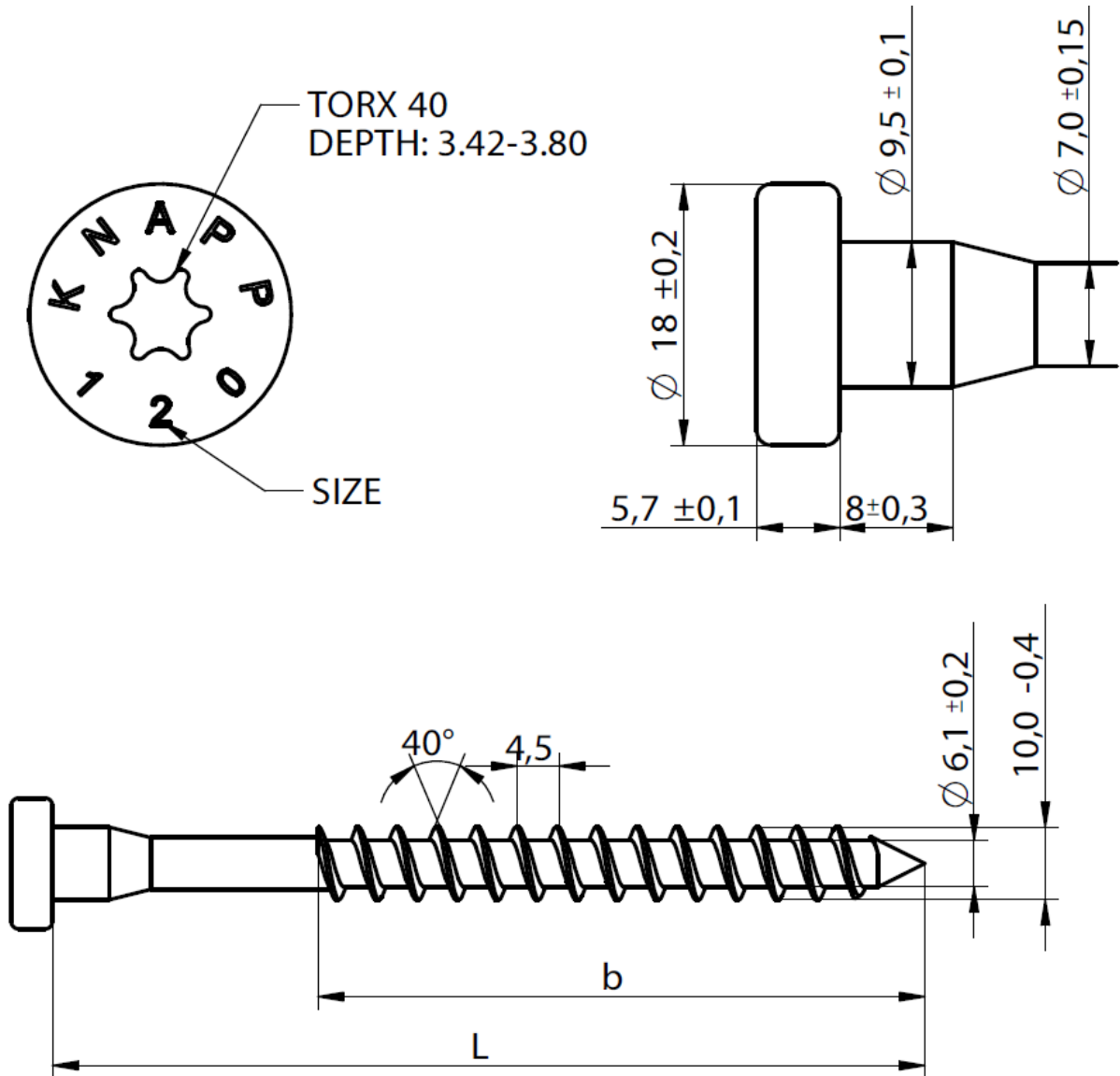
Screws according to EN 14592 manufactured of carbon steel, tension $f_{tens,k}$ of 24 kN and torque $M_{t,u,k}$ of 40 Nm; corrosion protection according to Eurocode 5-1-1;



L	50 - 1,5	60 - 1,5	100 - 3,5
b	40 ±1,0	50 ±1,0	90 ±1,0

KNAPP® WALCO® V PH screw 10x80, 10x120

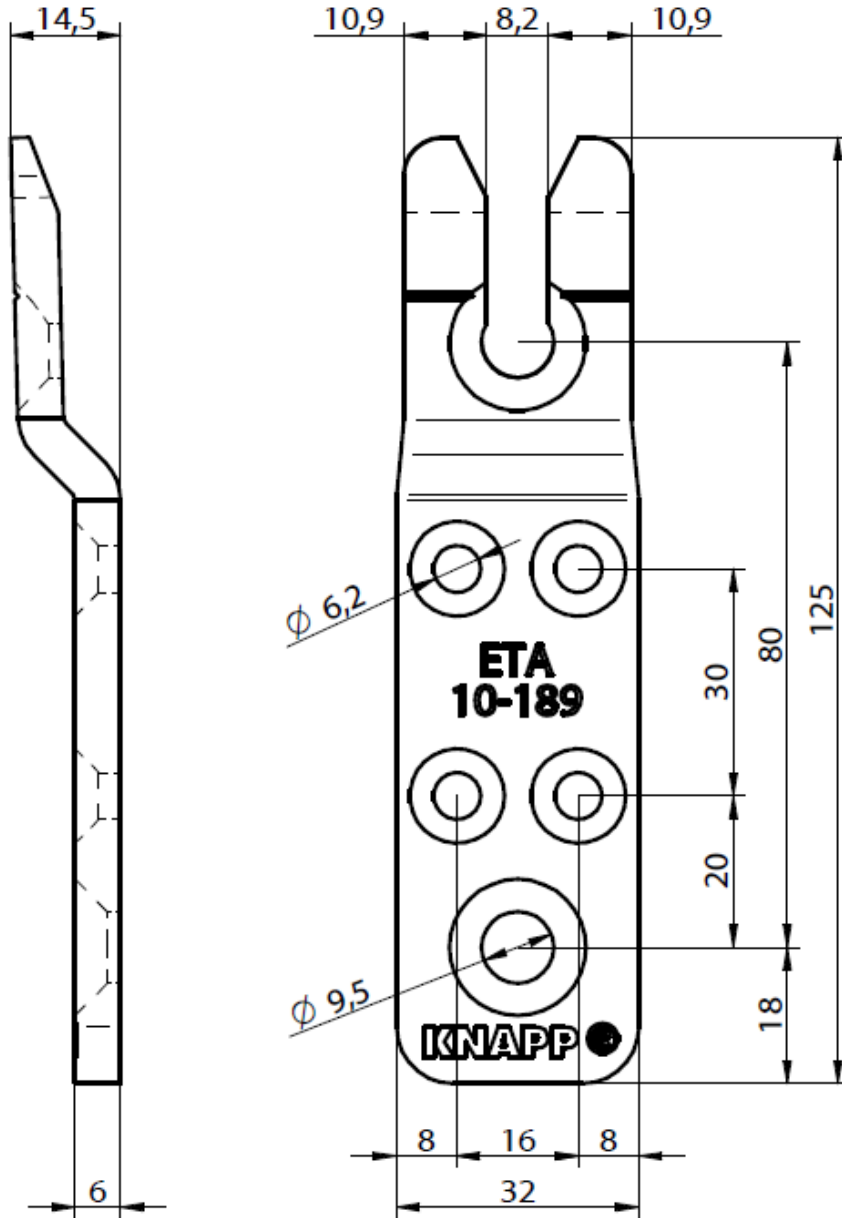
Screws according to EN 14592 manufactured of carbon steel, tension $f_{tens,k}$ of 24 kN and torque $M_{t,u,k}$ of 40 Nm; corrosion protection according to Eurocode 5-1-1;



L	$80 \pm 3,5$	$120 \pm 3,5$
b	$54 \pm 2,0$	$84 \pm 2,0$

KNAPP® Clip Connector WALCO® Z32

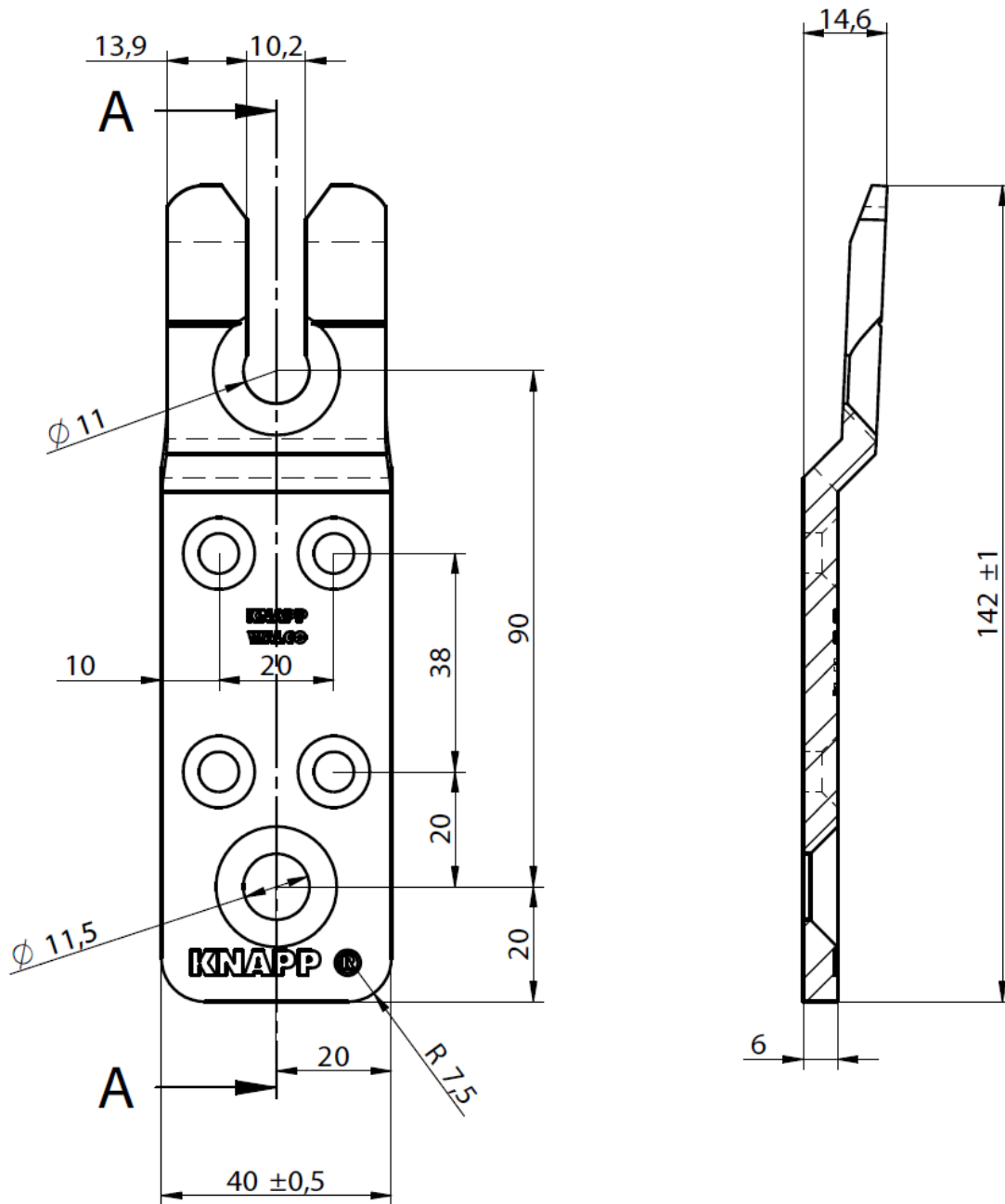
6.0 mm thick steel, grade DD13 according to EN 10111, with yield strength R_e of 235 MPa.
Pre-galvanized steel plate with coating Zn5C



dimensions in mm

KNAPP® Clip Connector WALCO® Z40

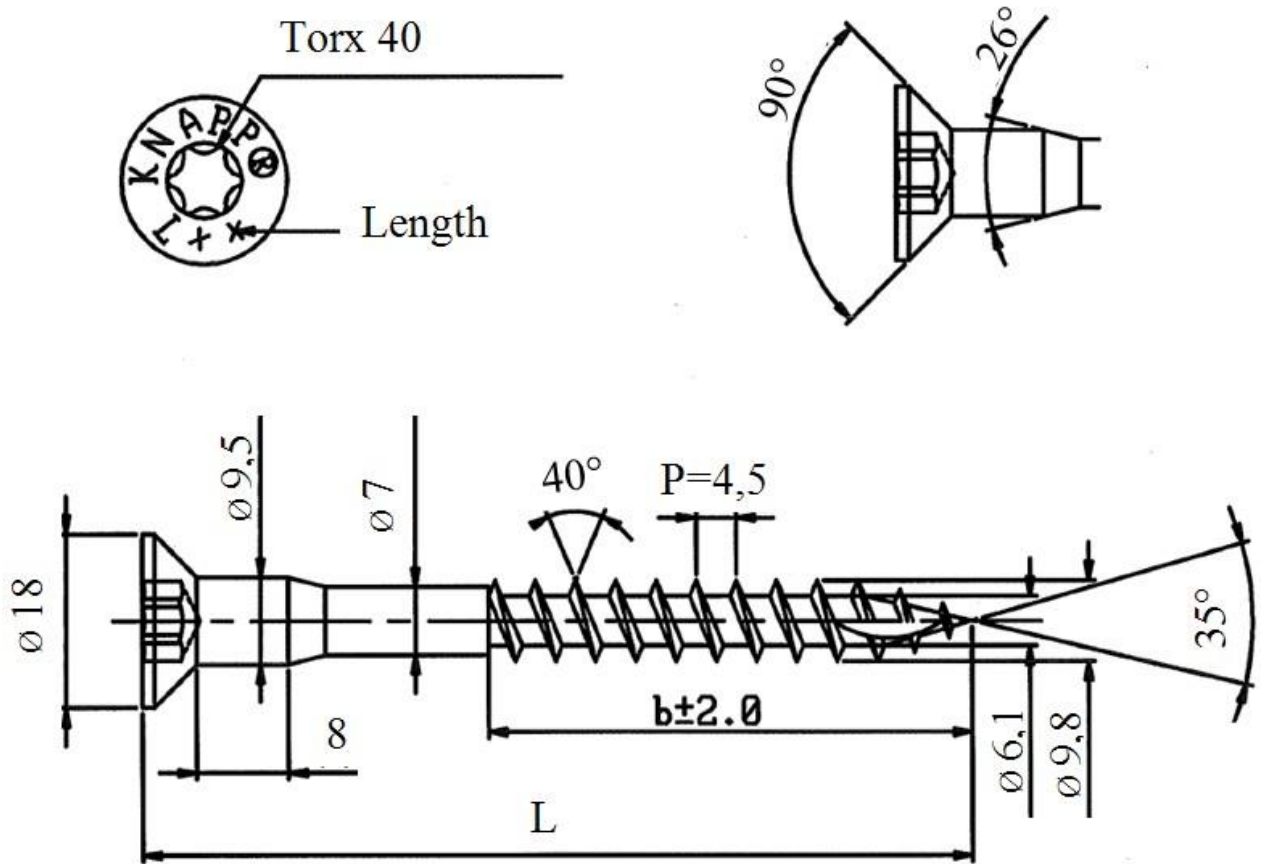
6.0 mm thick steel, grade DD13 according to EN 10111, with yield strength R_e of 235 MPa.
Pre-galvanized steel plate with coating Zn5C



dimensions in mm

KNAPP® WALCO Z40 screw SK 10x60, SK10x80, SK 10x120

Screws according to EN 14592 manufactured of carbon steel, tension $f_{tens,k}$ of 30 kN, torque $M_{t,u,k}$ of 30Nm and corrosion protection according to Eurocode 5



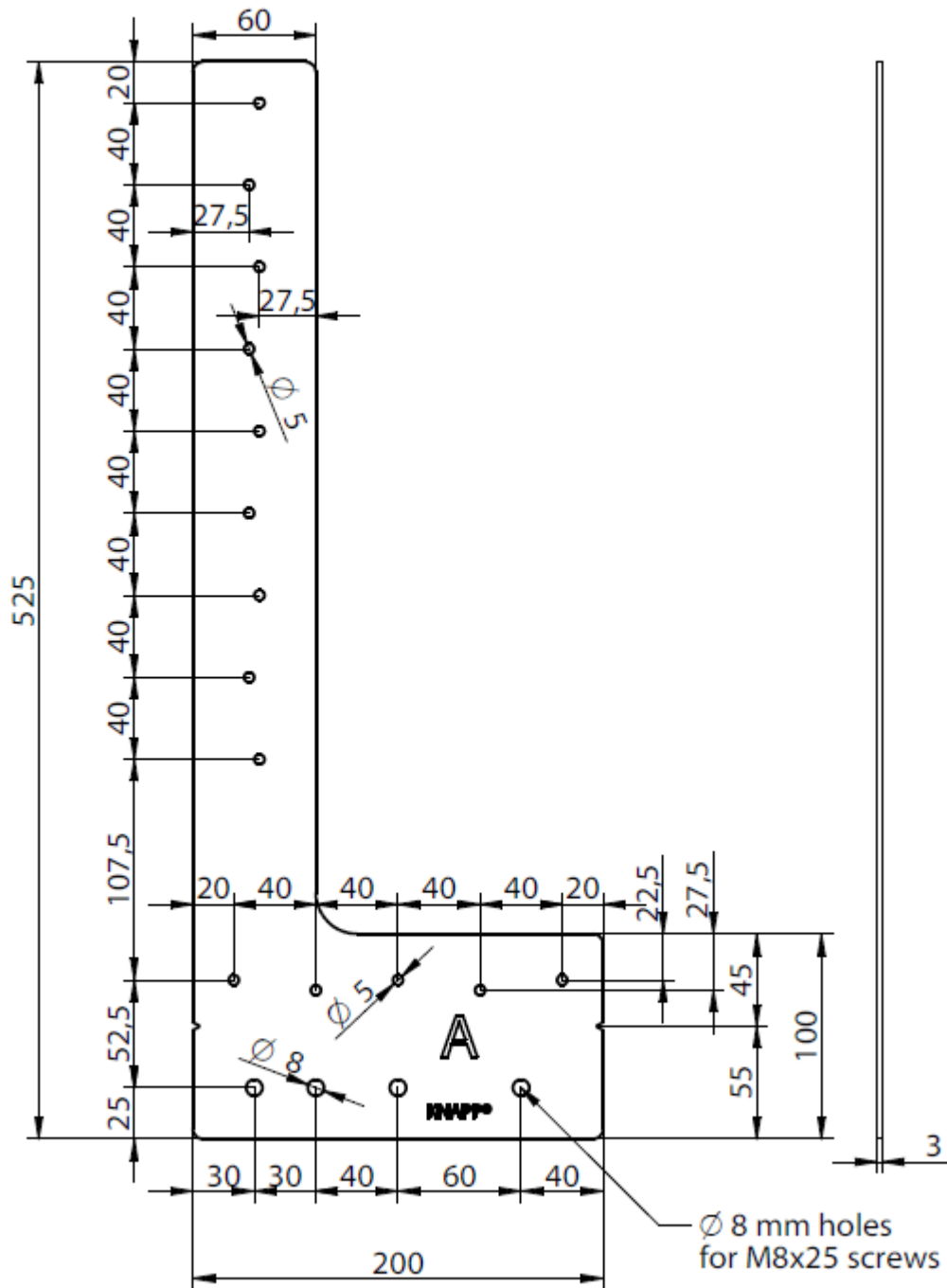
L	b
60 -1,5	42
80 -1,5	54
120 -1,75	84

KNAPP® Hold Down WALCO® L T

KNAPP® Clip Connector WALCO® L / T steel plate 525x200x3

3.0 mm thick steel grade S235 JR + N according to EN 10025-2 with yield strength R_e of 225 - 235 MPa; tensile strength R_m of 360-510 MPa

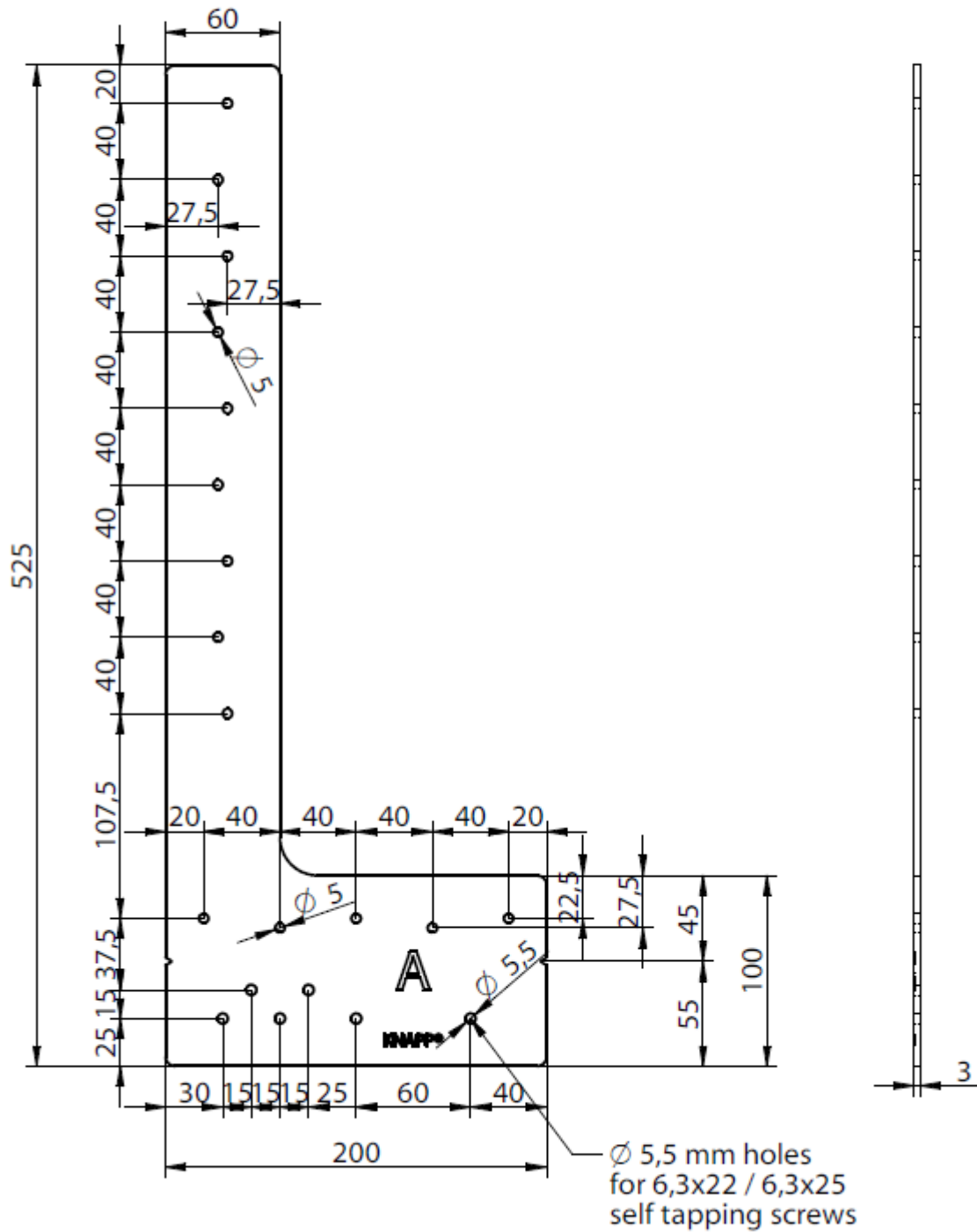
Corrosion protection according to Eurocode 5-1-1



dimensions in mm

KNAPP® Clip Connector WALCO® L / T steel plate 525x200x3

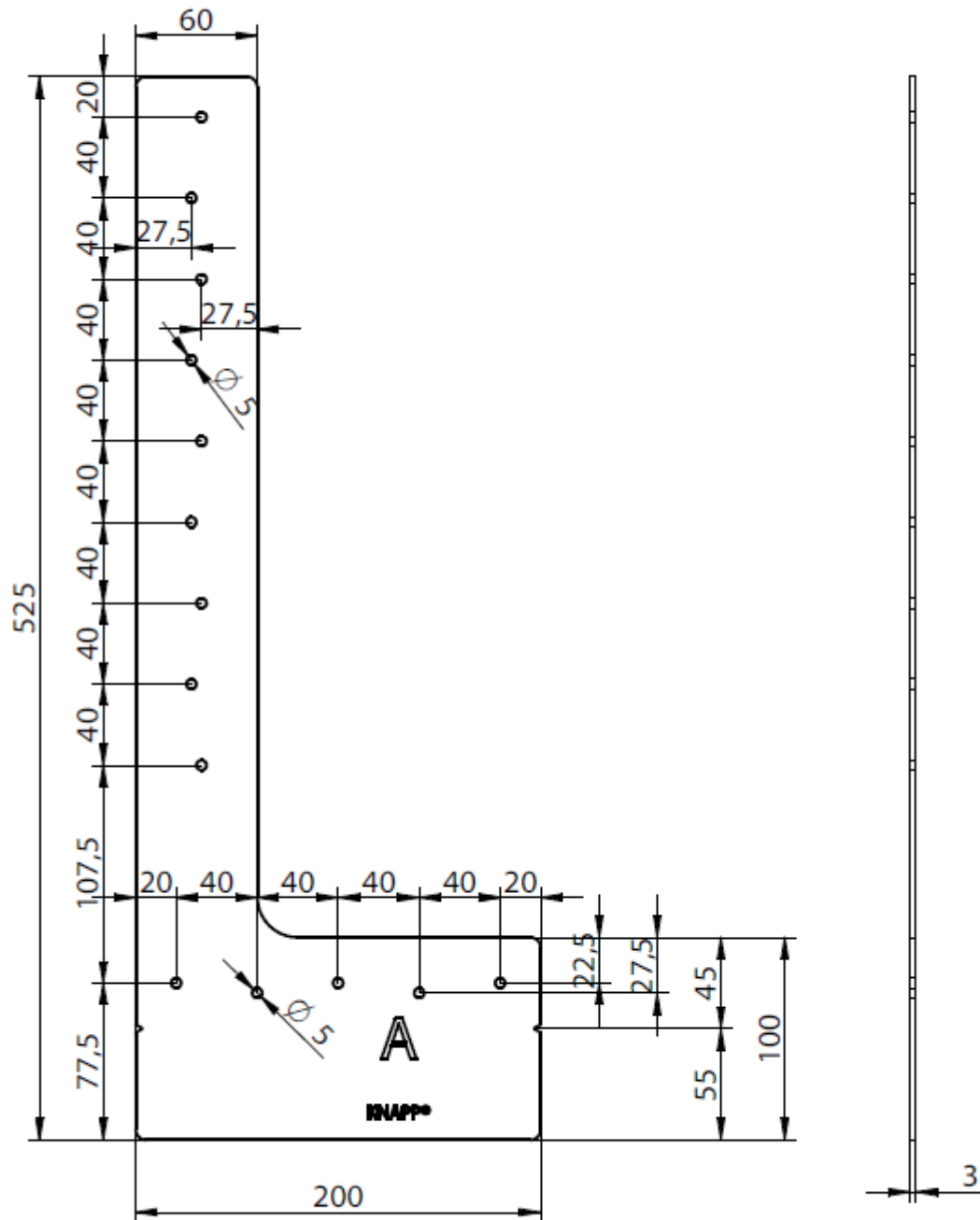
3.0 mm thick steel grade S235 JR + N according to EN 10025-2 with yield strength R_e of 225 - 235 MPa; tensile strength R_m of 360-510 MPa
Corrosion protection according to Eurocode 5-1-1



dimensions in mm

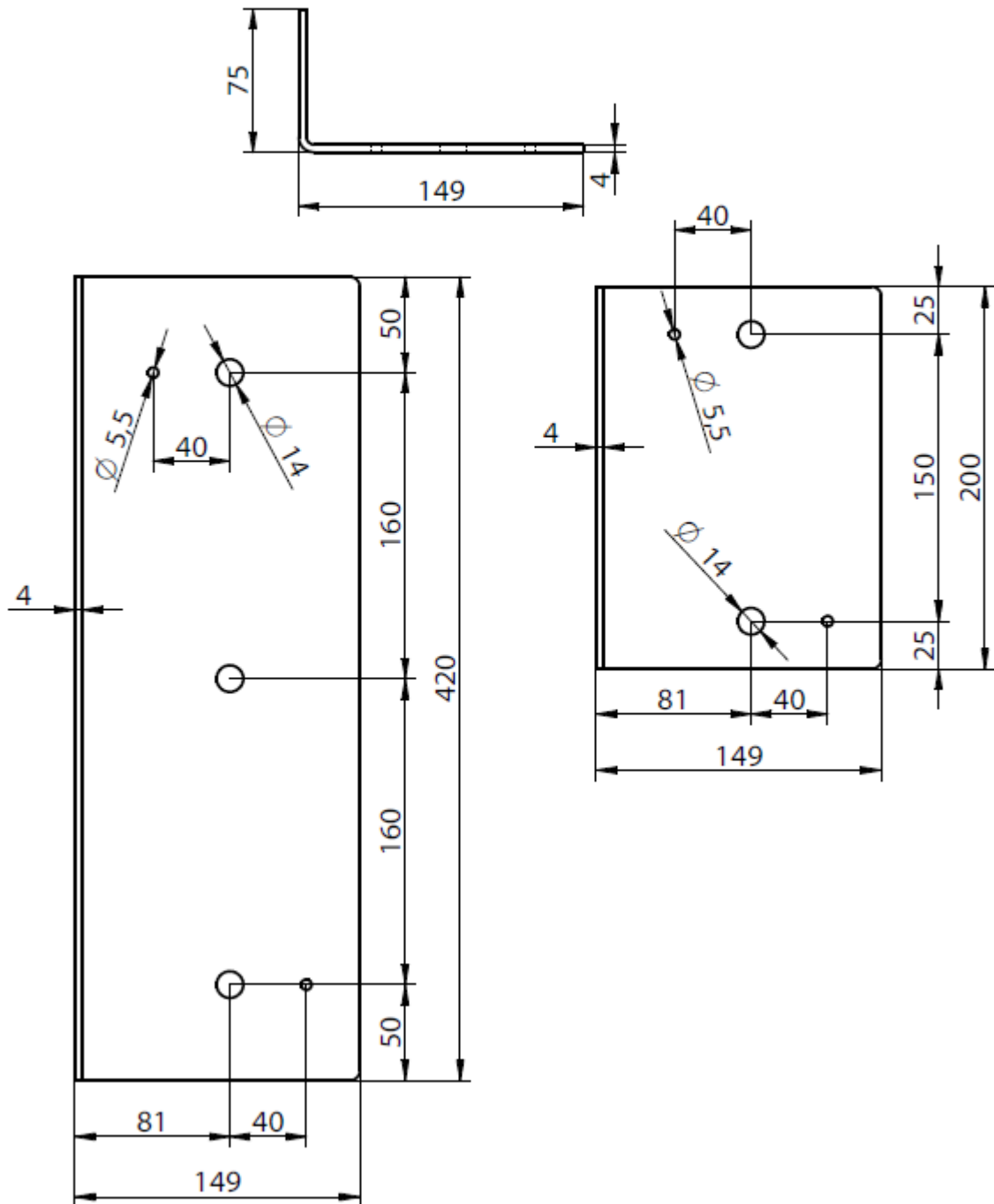
**KNAPP® Clip Connector WALCO® L / T steel plate 525x200x3
for mounting on the inside**

3.0 mm thick steel grade S235 JR + N according to EN 10025-2 with yield strength R_e of 225 - 235 MPa; tensile strength R_m of 360-510 MPa
Corrosion protection according to Eurocode 5-1-1



KNAPP® Clip Connector WALCO® L floor angle 200x4
KNAPP® Clip Connector WALCO® T floor angle 420x4

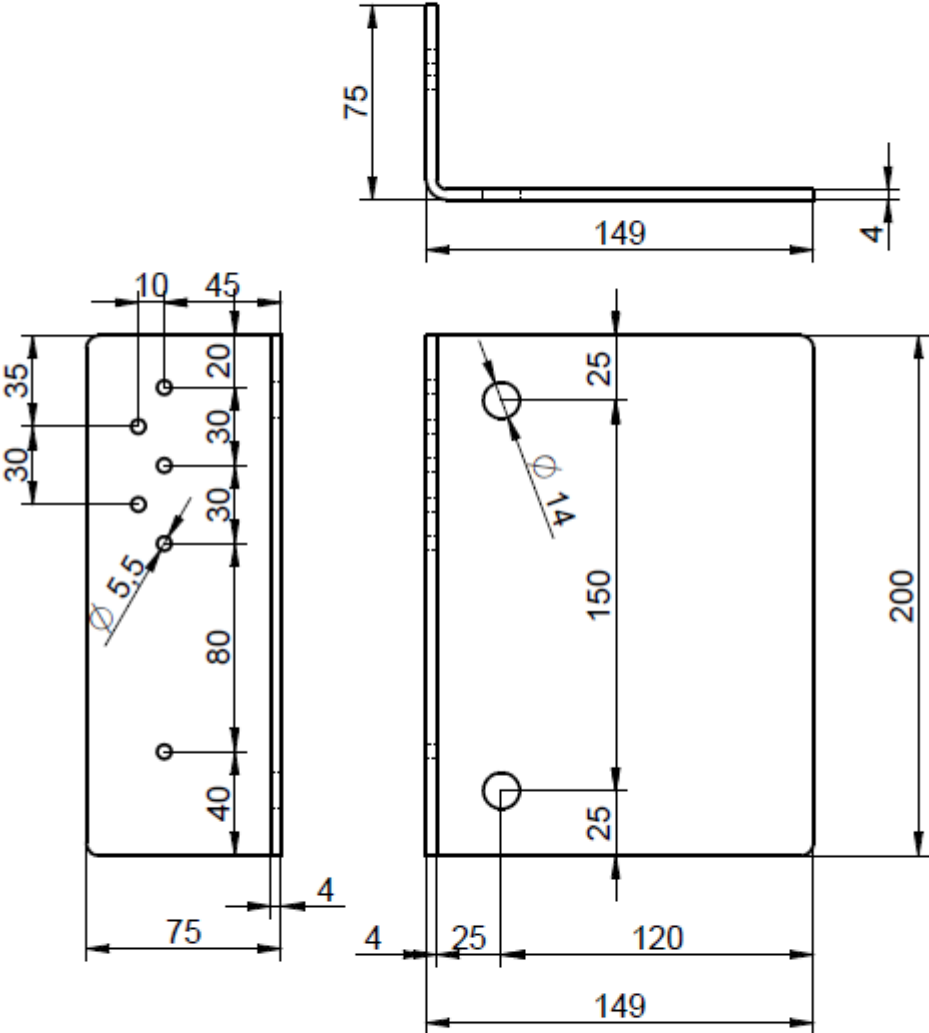
4.0 mm thick steel grade S235 JR + N according to EN 10025-2 with yield strength R_e of 225 - 235 MPa; tensile strength R_m of 360-510 MPa
Corrosion protection according to Eurocode 5-1-1



dimensions in mm

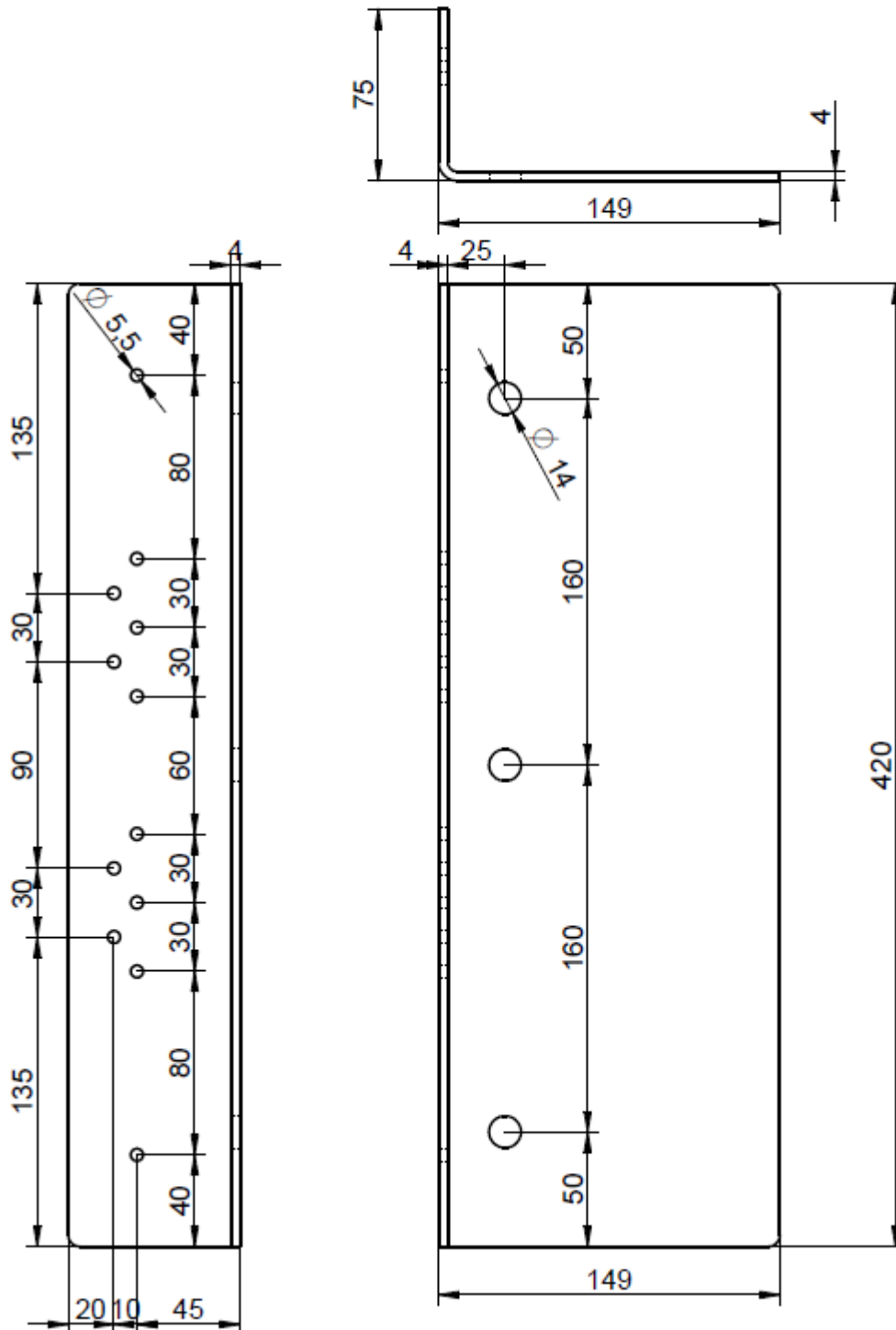
**KNAPP® Clip Connector WALCO® L floor angle 200x4
for on site assembly**

4.0 mm thick steel grade S235 JR + N according to EN 10025-2 with yield strength R_e of 225-235 MPa; tensile strength R_m of 360-510 MPa
Corrosion protection according to Eurocode 5-1-1



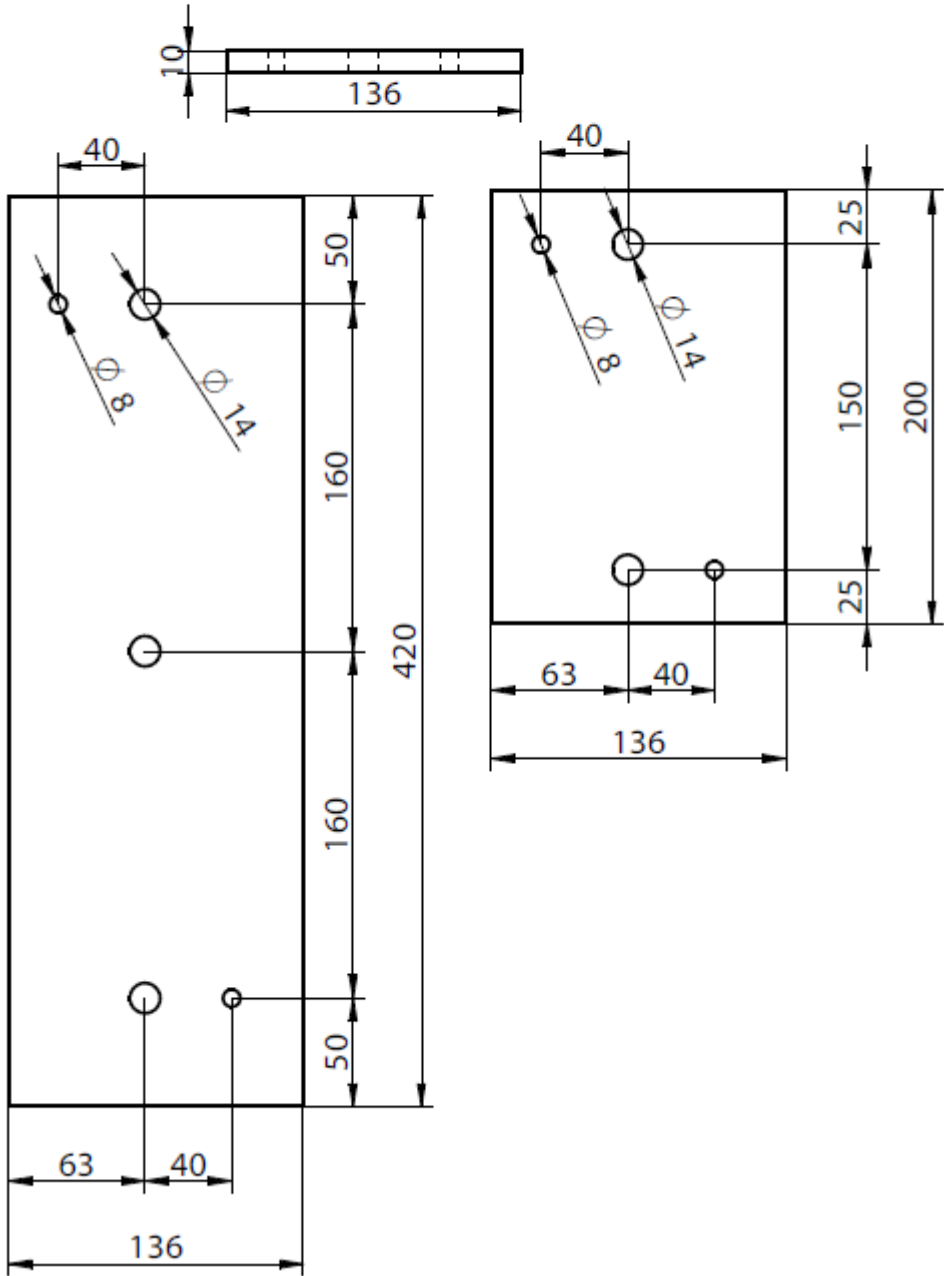
KNAPP® Clip Connector WALCO® T floor angle 420x4
for on site assembly

4.0 mm thick steel grade S235 JR + N according to EN 10025-2 with yield strength R_e of 225-235 MPa; tensile strength R_m of 360-510 MPa
Corrosion protection according to Eurocode 5-1-1



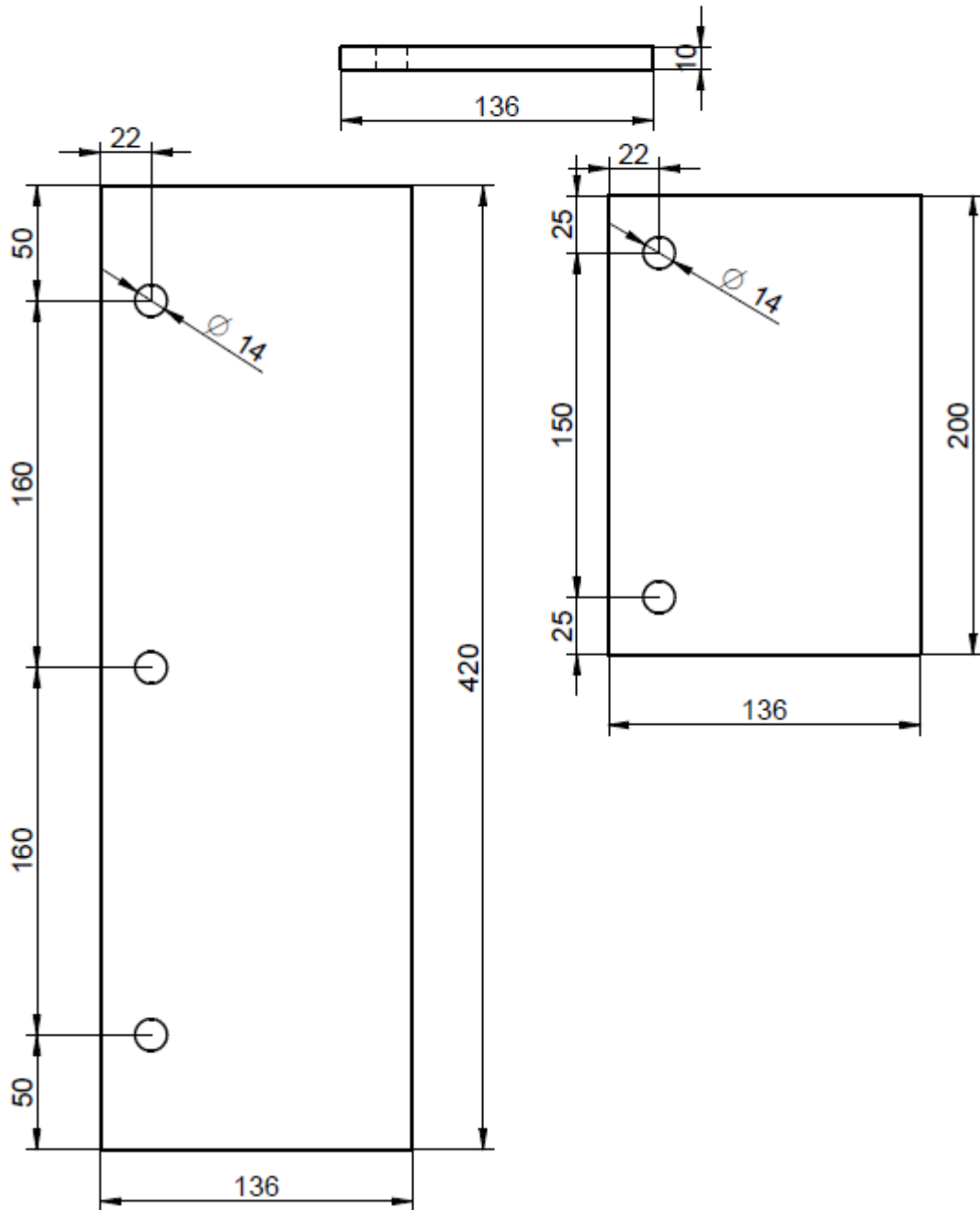
KNAPP® Clip Connector WALCO® L pressure plate 200x10 mm
KNAPP® Clip Connector WALCO® T pressure plate 420x10 mm

10.0 mm thick steel grade S235 JR + N according to EN 10025-2 with yield strength R_e of 225 - 235 MPa; tensile strength R_m of 360-510 MPa
Corrosion protection according to Eurocode 5-1-1



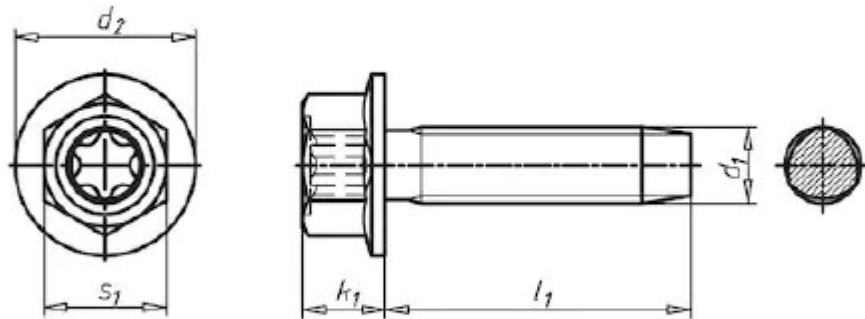
KNAPP® Clip Connector WALCO® L pressure plate 200x10 mm
KNAPP® Clip Connector WALCO® T pressure plate 420x10 mm
for on site assembly

10.0 mm thick steel grade S235 JR + N according to EN 10025-2 with yield strength R_e of 225-235 MPa; tensile strength R_m of 360-510 MPa
Corrosion protection according to Eurocode 5-1-1



KNAPP® WALCO® Hexagon screw M8x25 with confederation

Self-tapping screw with taptite 2000 thread hexagone head with collar and hexaloburur drive.

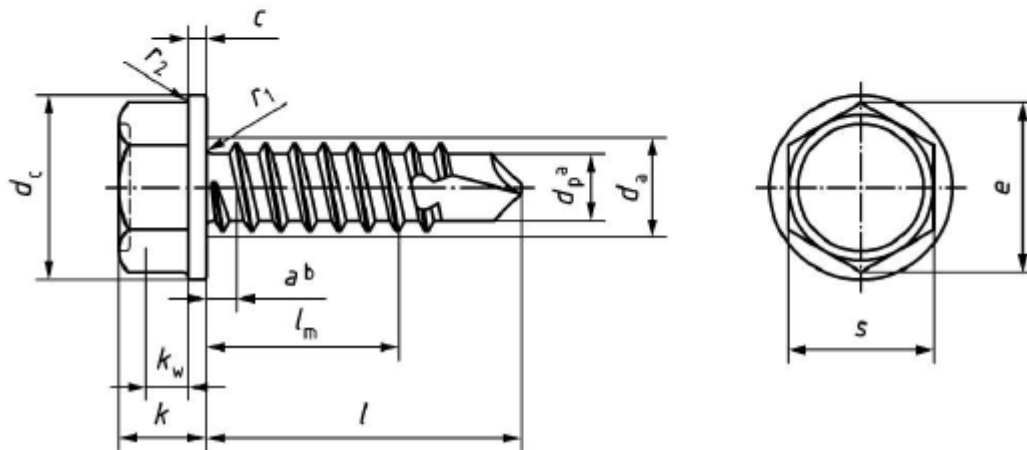


Thread type x nominal diameter (d_1)	M8
Length (l_1)	25 mm
Collar diameter (d_2)	17.9 mm
Head height (k_1)	8.1 mm
External drive (s_1)	WS13
Internal drive	TXP45
Guideline values for hole diameters	7.4 mm
Material	Steel
Property class	10.9
Surface	Flake zinc silver
RoHS-compliant	Yes
Corrosion protection period	480 h
Head type	Hexagon head
Drive type	Hexagon
Thread type	Metric thread
Collar/flange	Yes

KNAPP® WALCO® L 6,3x22 and 6,3x25 Hexagon washer head drilling screws with tapping screw thread

6,3x 22 mm hexagon washer screw of pre-galvanized steel grade according to DIN EN ISO 15480:2019 with torque $M_{t,u,k}$ of 21,0 Nm and characteristic shear load $F_{b,Rk} = 11,0$ kN
The screw dimensions are according to EN ISO 15480.

6,3x 25 mm hexagon washer screw of pre-galvanized steel grade according to DIN EN ISO 15480:2019 with torque $M_{t,u,k}$ of 16,0 Nm and characteristic shear load $F_{b,Rk} = 8,0$ kN
The screw dimensions are according to EN ISO 15480.



Screw dimension according to EN ISO 15480

Dimension	ST6,3x22	ST6,3x25
d [mm]	6,3	6,3
d _p [mm]	5,8	5,8
d _c [mm]	12,2-13,5	12,2-13,5
c [mm]	1,0	1,0
e [mm]	10,95	10,95
k [mm]	5,3-5,9	5,3-5,9
s [mm]	9,78-10	9,78-10
L [mm]	21-23	24-26
t [mm]	2-6	2-6
t: Drilling range plate thickness		

Dimensions in mm

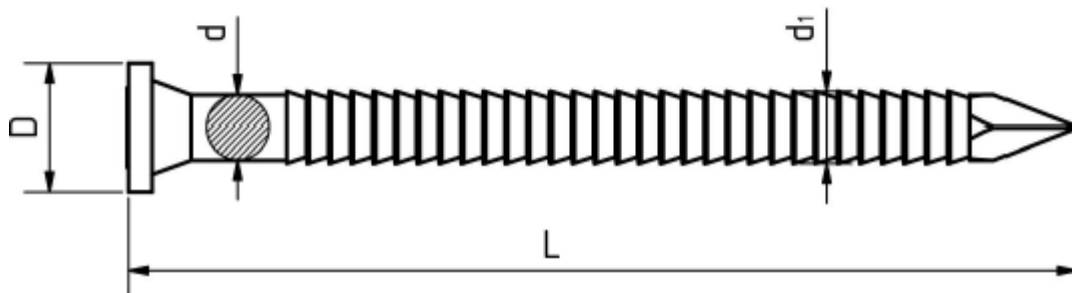
KNAPP® WALCO® L Ring shank connector nails 4,0 x 75

Ring shank connecting nail according to DIN EN 14592:2021-07 Wood construction - dowel-type fasteners

Wire rod unalloyed steel according to DIN EN 10016-2 manufactured minimum characteristic tensile strength of wire (f_u) according to EN 10218-1, minimum 600 N/mm²

Minimum tension $f_{tens,k} = 656$ N/mm², minimum yield moment $M_{y,Rk} = 7463$ Nmm

Characteristic withdrawal parameters in wood with characteristic density $\rho_k = 390$ kg/m³:
 $f_{ax,k} = 9,25$ N/mm²

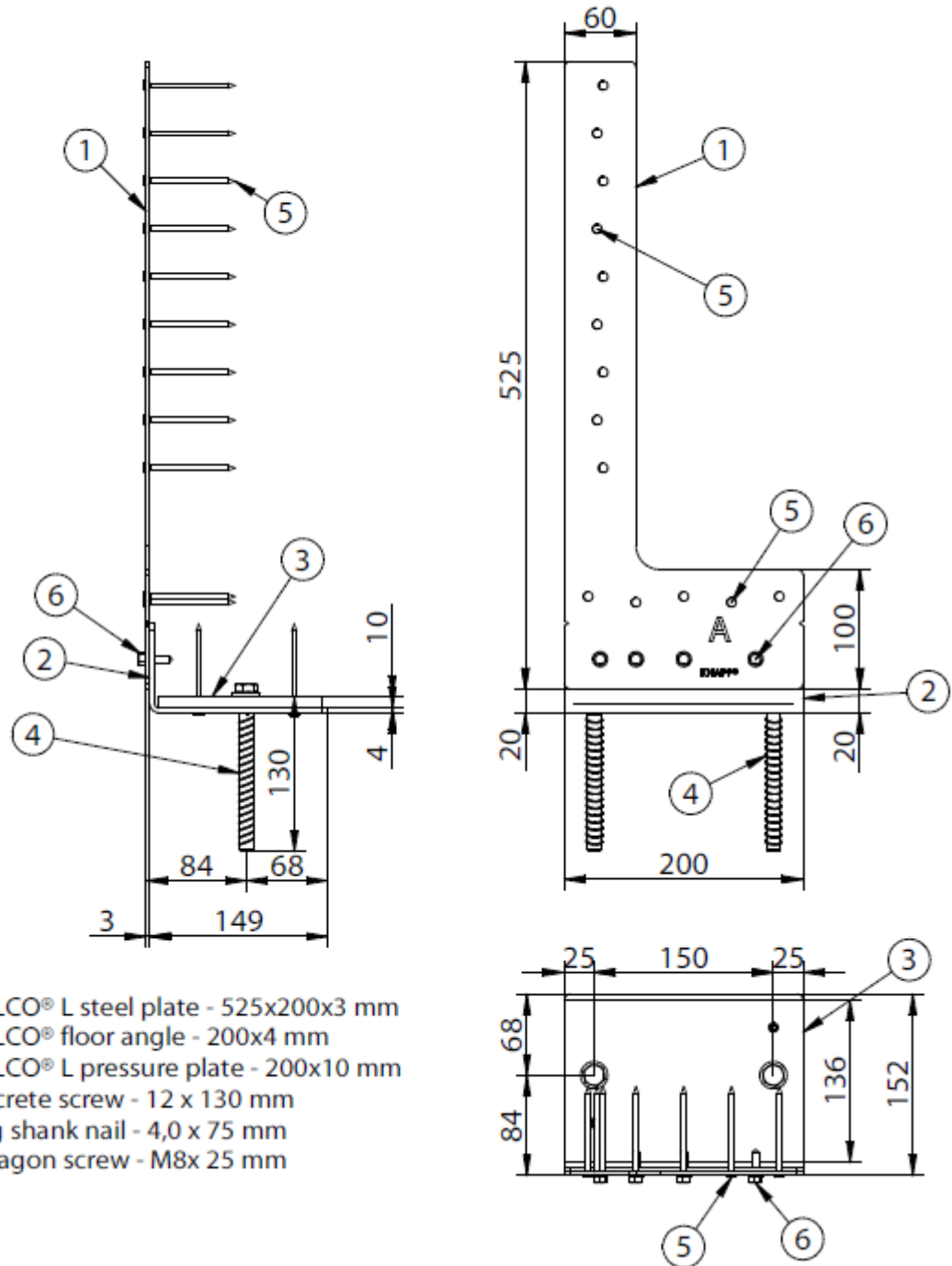


D = 8 mm
d = 4 mm
L = 75 mm

dimensions in mm

WALCO® L

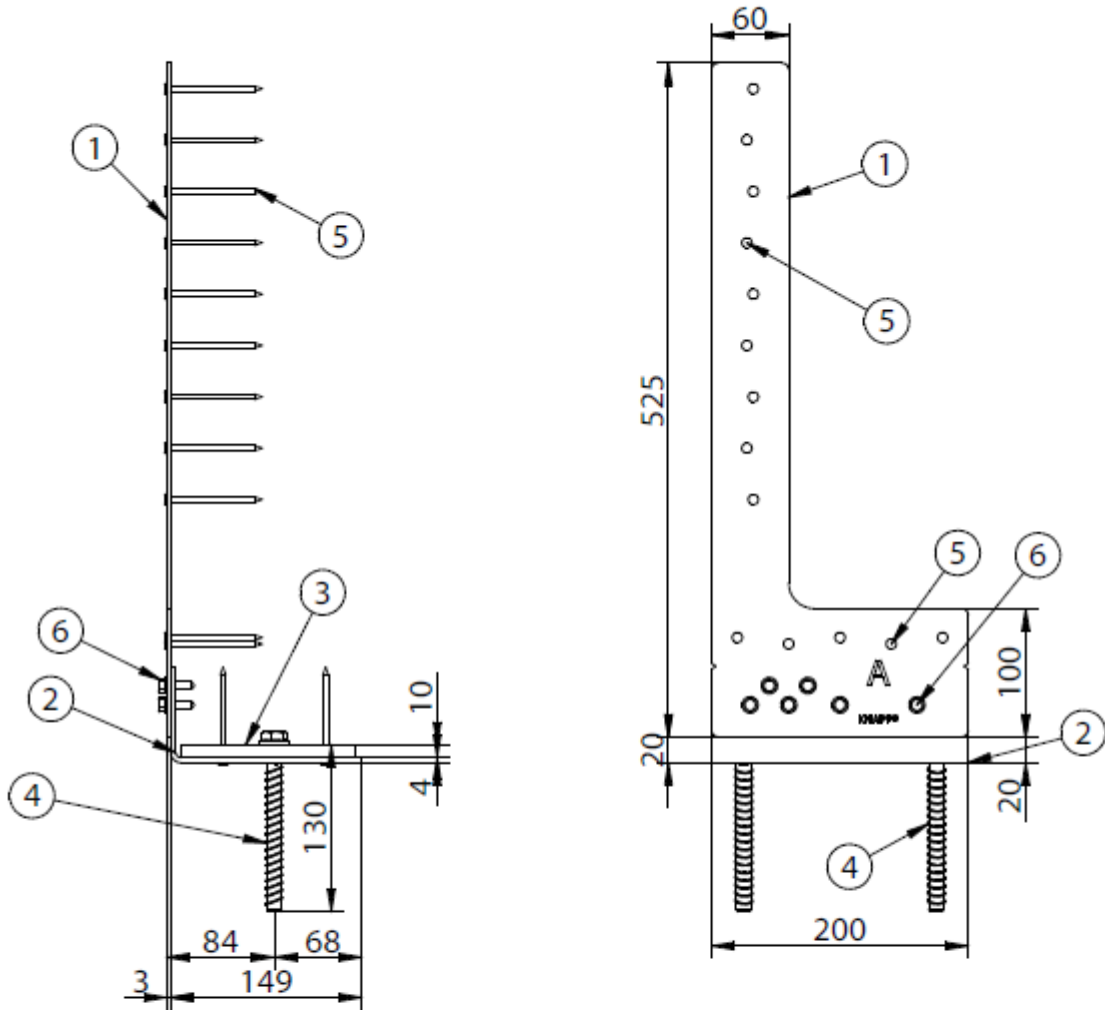
WALCO® L Assembly drawing



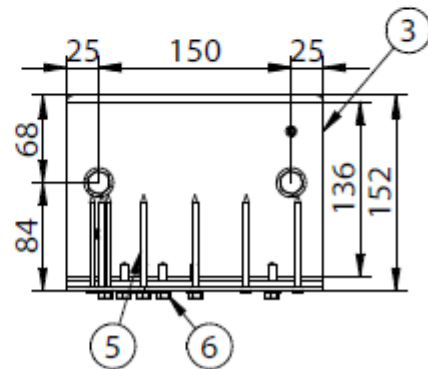
- 1 WALCO® L steel plate - 525x200x3 mm
- 2 WALCO® floor angle - 200x4 mm
- 3 WALCO® L pressure plate - 200x10 mm
- 4 Concrete screw - 12 x 130 mm
- 5 Ring shank nail - 4,0 x 75 mm
- 6 Hexagon screw - M8x 25 mm

WALCO® L

**WALCO® L Assembly drawing
with 6,3x22 /6,3x25 hexagon washer head drilling screws with tapping screw thread**

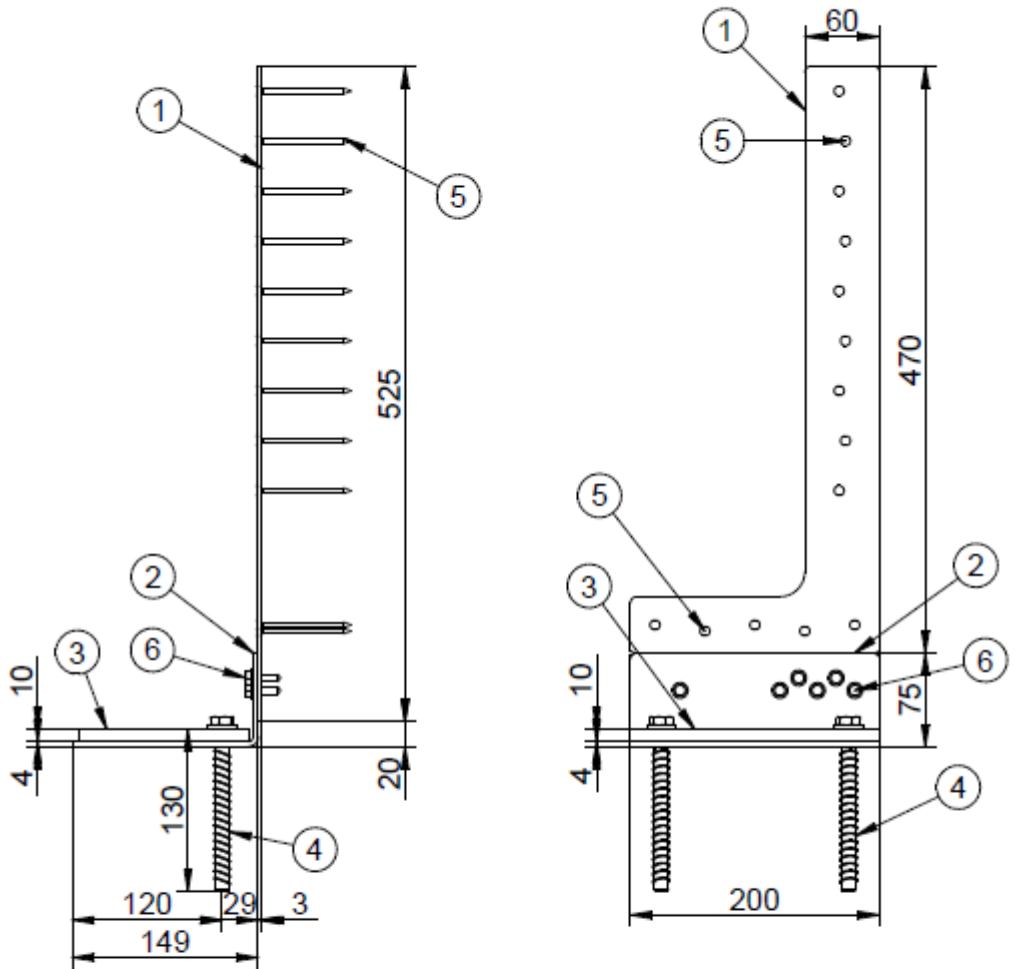


- 1 WALCO® L steel plate - 525x200x3 mm
- 2 WALCO® floor angle - 200x4 mm
- 3 WALCO® L pressure plate - 200x10 mm
- 4 Concrete screw - 12 x 130 mm
- 5 Ring shank nail - 4,0 x 75 mm
- 6 6,3x22 and 6,3x25 drilling screws with tapping screw thread

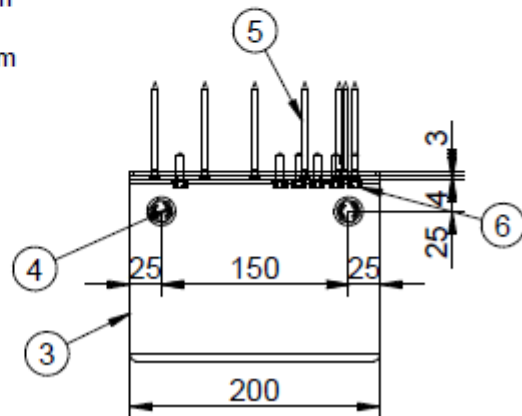


WALCO® L

WALCO® L Assembly drawing
for on site assembly
with 6,3x22 /6,3x25 hexagon washer head drilling screws with tapping screw thread

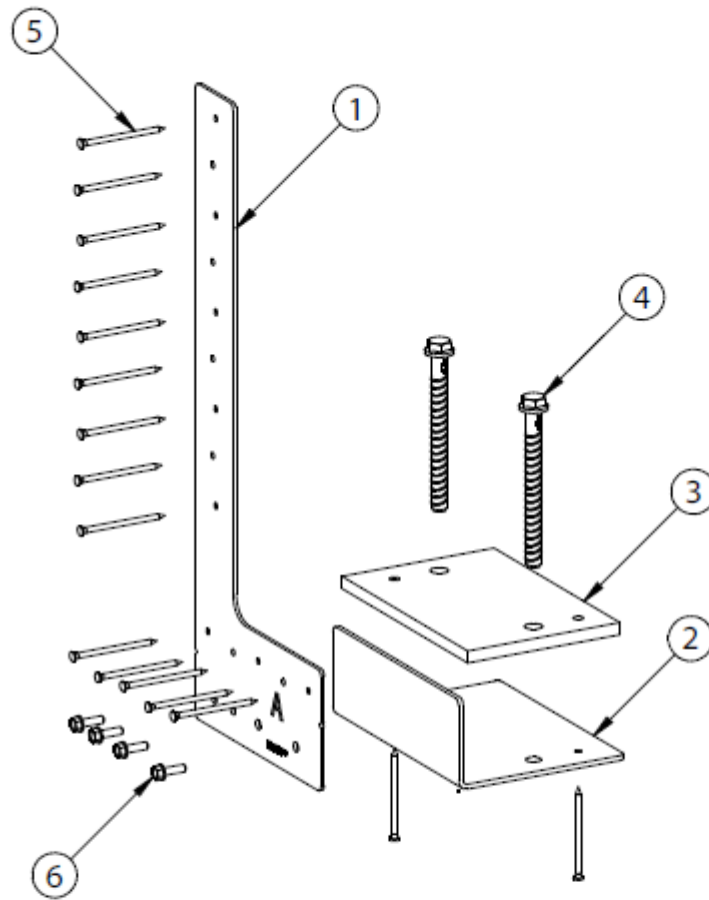


- 1 WALCO® L steel plate - 525x200x3 mm
- 2 WALCO® L floor angle - 200x4 mm
- 3 WALCO® L pressure plate - 200x10 mm
- 4 Concrete screw - 12 x 130 mm
- 5 Ring shank nail - 4,0 x 75 mm
- 6 6,3x22 or 6,3x25 drilling screws with tapping screw thread



WALCO® L

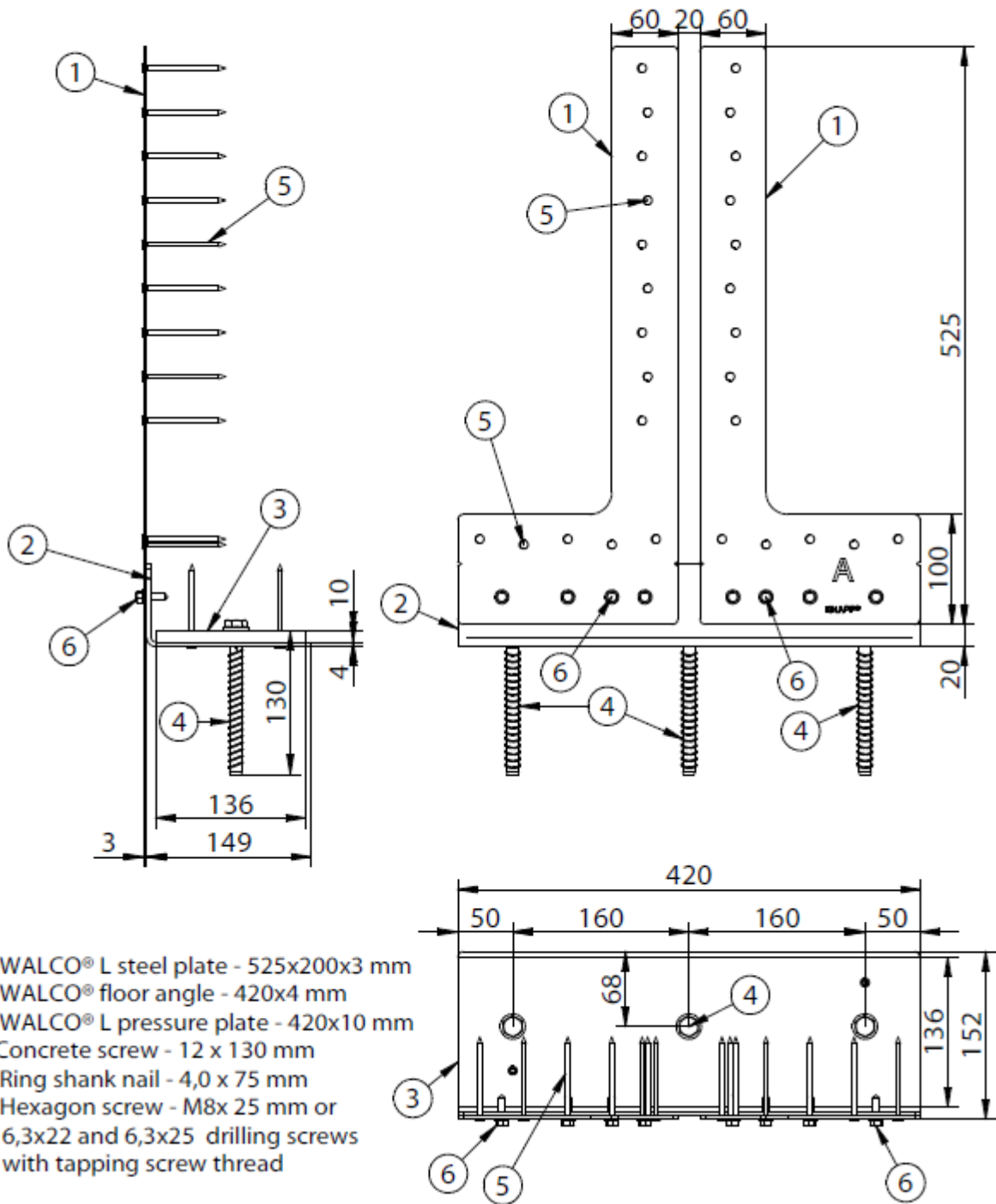
WALCO® L Exploded view



- 1 WALCO® L steel plate - 525x200x3 mm
- 2 WALCO® floor angle - 200x4 mm
- 3 WALCO® L pressure plate - 200x10 mm
- 4 Concrete screw - 12 x 130 mm
- 5 Ring shank nail - 4,0 x 75 mm
- 6 Hexagon screw - M8x 25 mm or 6,3x22 and 6,3x25 drilling screws with tapping screw thread

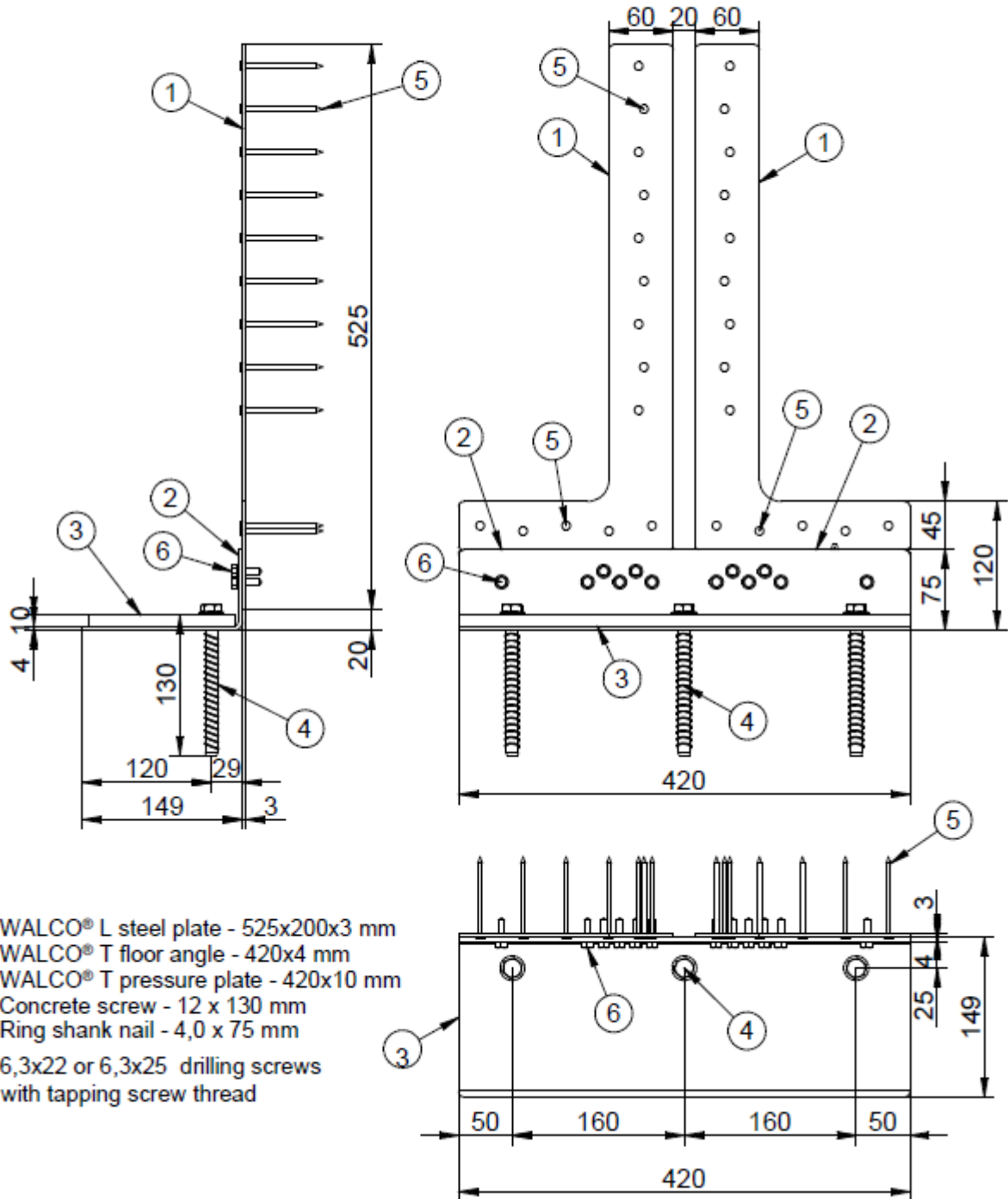
WALCO® T

WALCO® T Assembly drawing



WALCO® T

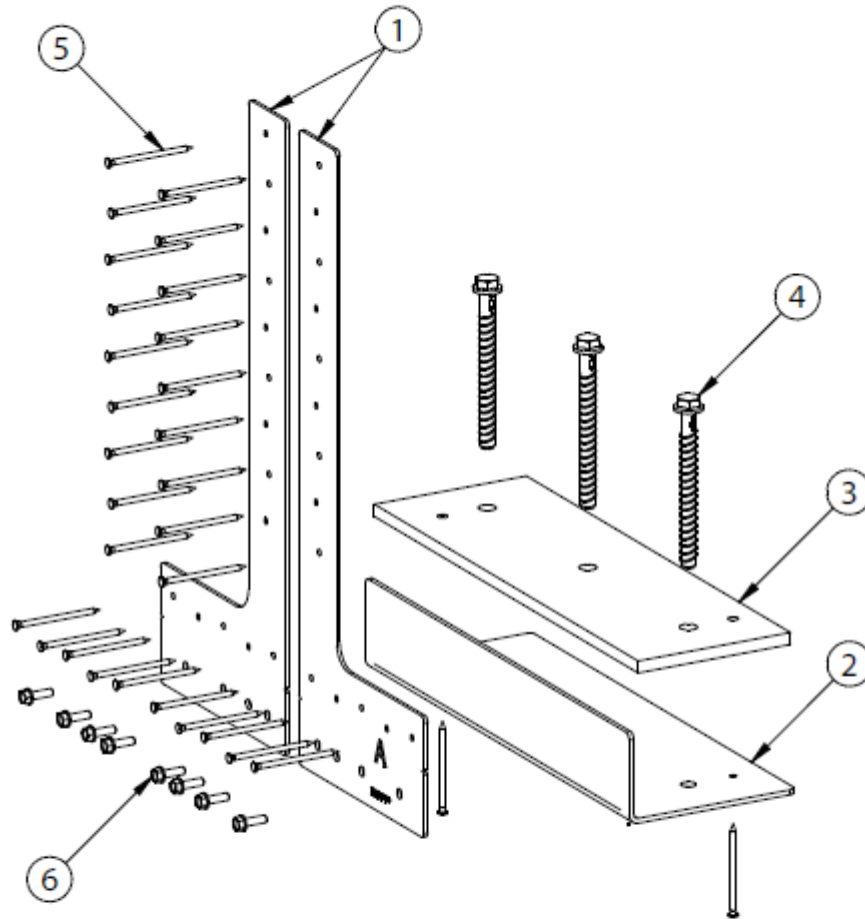
WALCO® T Assembly drawing
for on site assembly



- 1 WALCO® L steel plate - 525x200x3 mm
- 2 WALCO® T floor angle - 420x4 mm
- 3 WALCO® T pressure plate - 420x10 mm
- 4 Concrete screw - 12 x 130 mm
- 5 Ring shank nail - 4,0 x 75 mm
- 6 6,3x22 or 6,3x25 drilling screws with tapping screw thread

WALCO® T

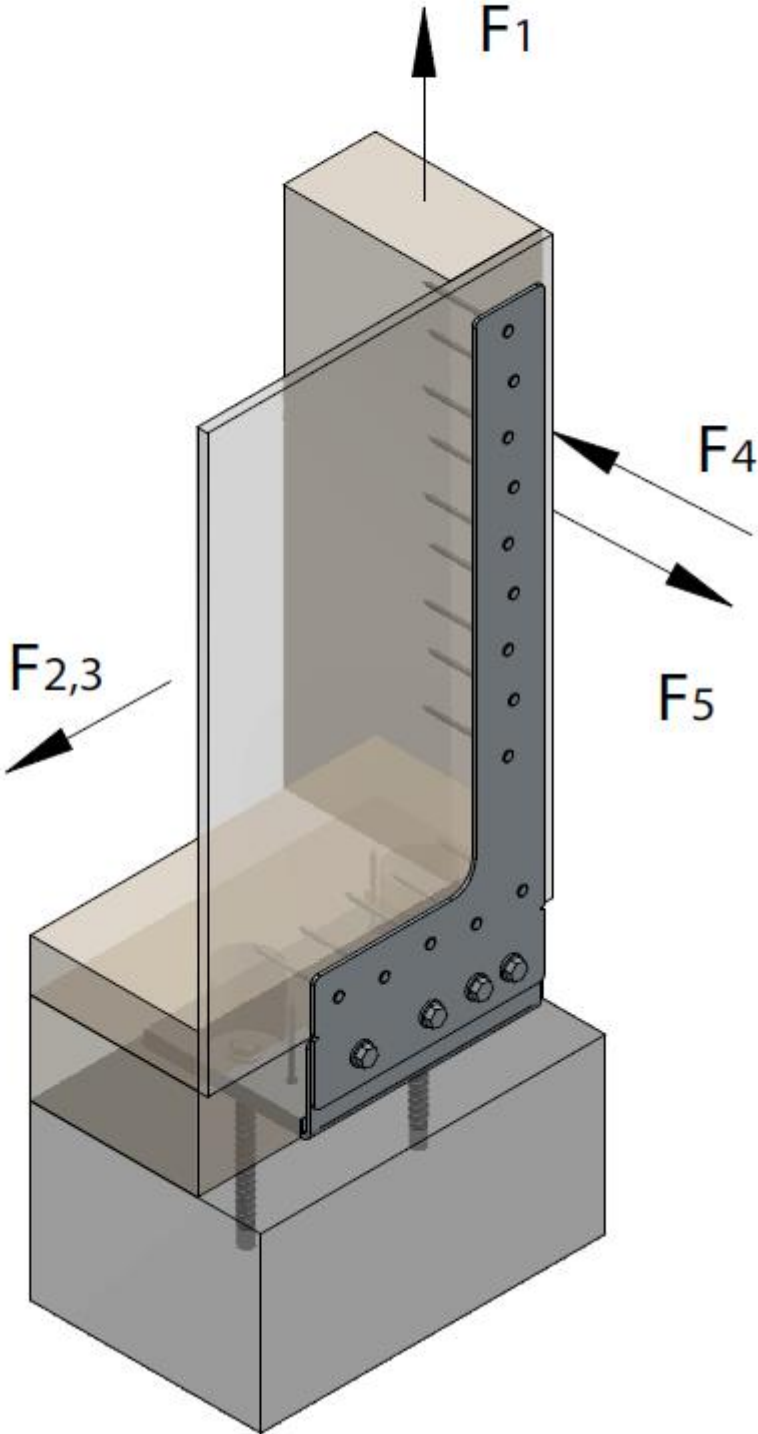
WALCO® T Exploded view



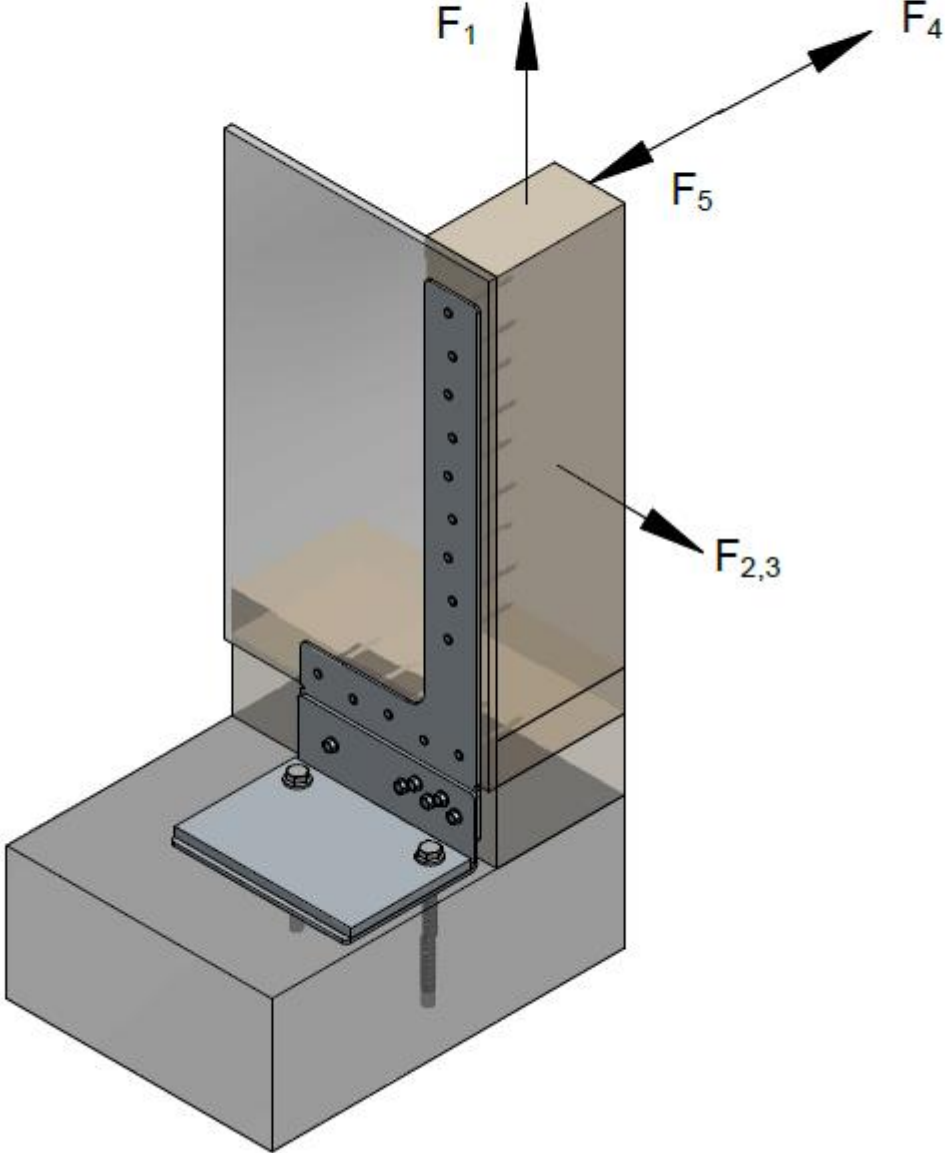
- 1 WALCO® L steel plate - 525x200x3 mm
- 2 WALCO® floor angle - 420x4 mm
- 3 WALCO® L pressure plate - 420x10 mm
- 4 Concrete screw - 12 x 130 mm
- 5 Ring shank nail - 4,0 x 75 mm
- 6 Hexagon screw - M8x 25 mm or 6,3x22 and 6,3x25 drilling screws with tapping screw thread

WALCO® L/T

Load directions

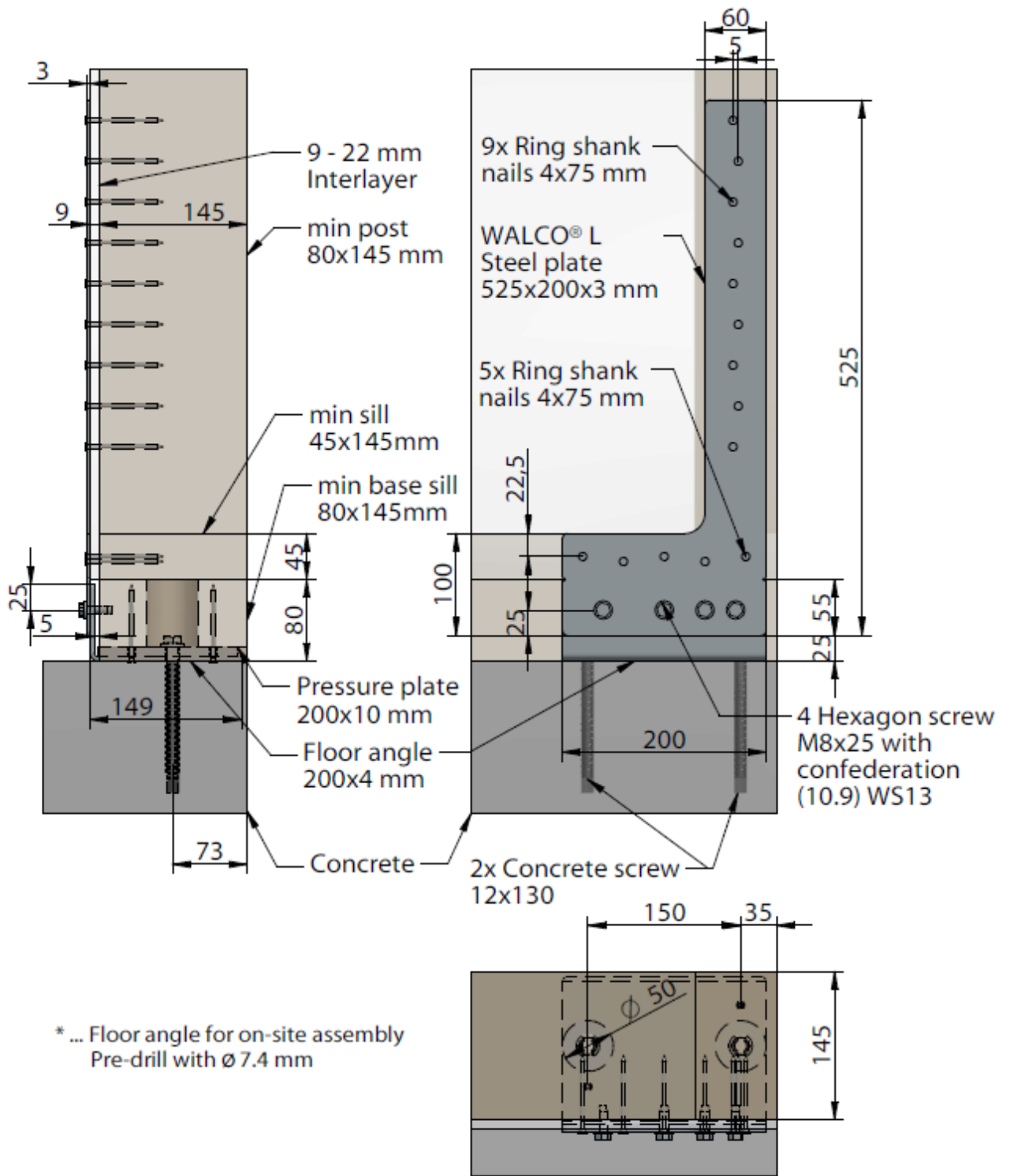


WALCO® L/T
for on site assembly
Load directions



WALCO® L

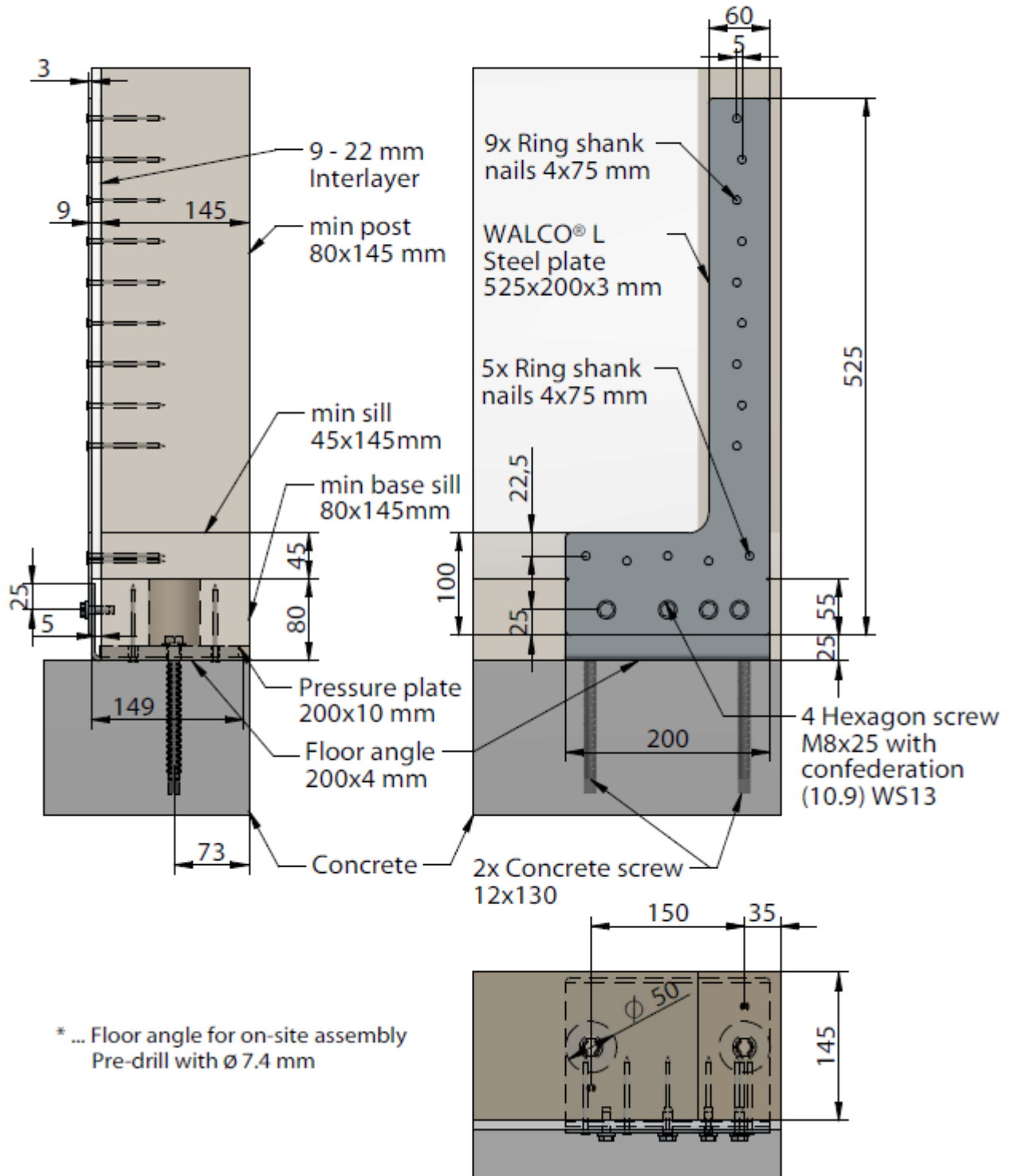
Minimum dimensions WALCO® L



* ... Floor angle for on-site assembly
Pre-drill with $\phi 7.4$ mm

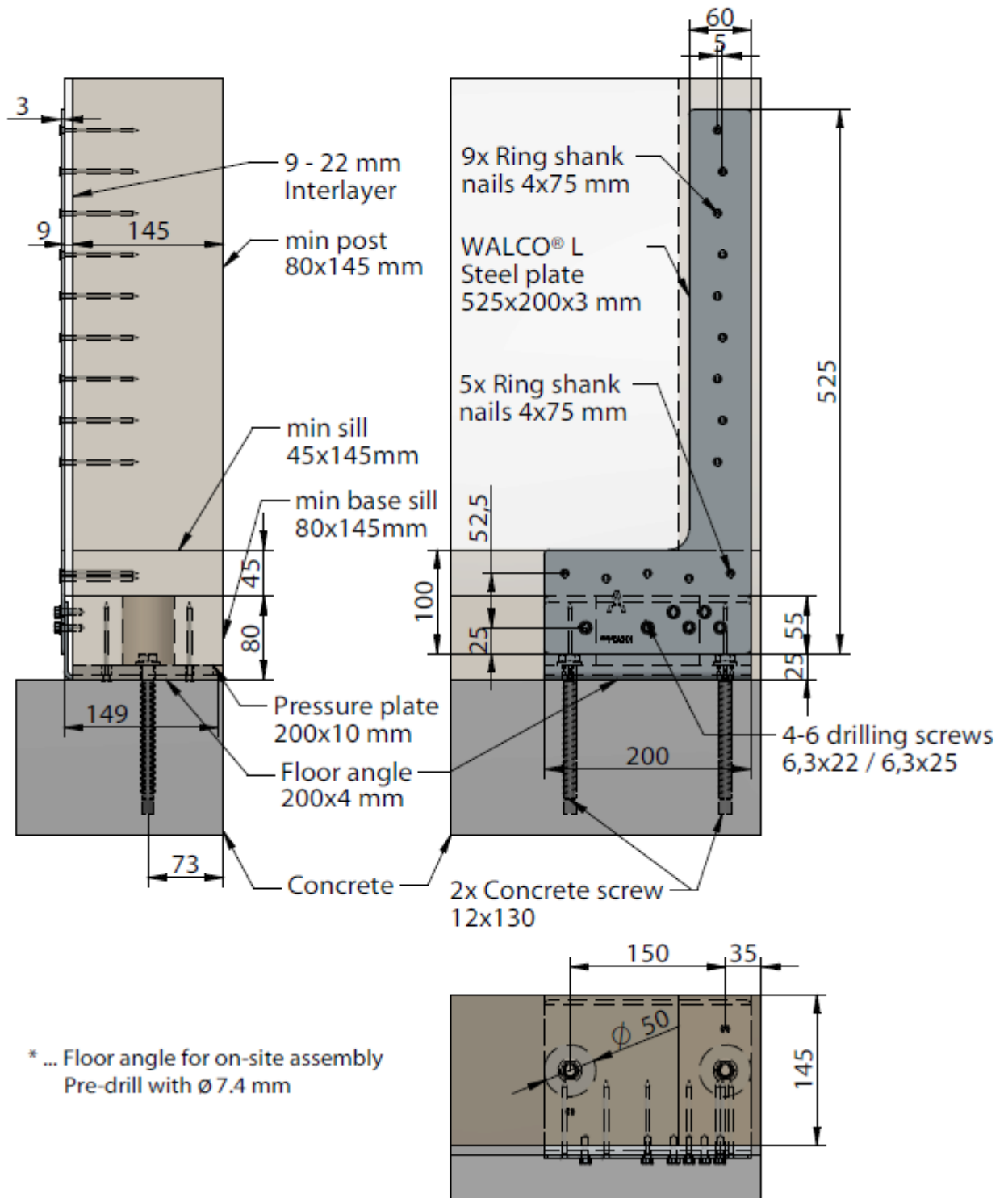
WALCO® L

Minimum dimensions WALCO® L



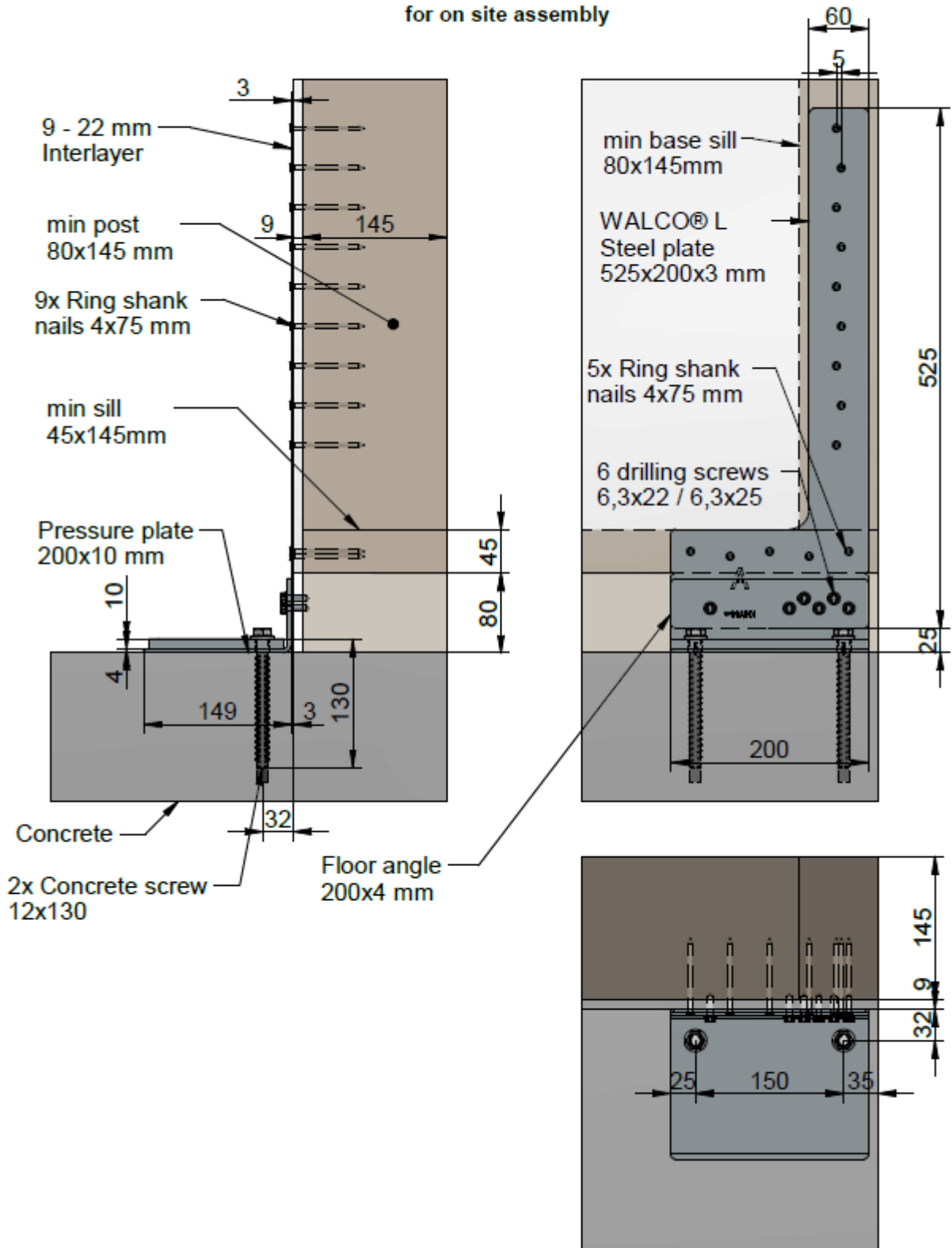
WALCO® L

Minimum dimensions WALCO® L



WALCO® L

**Minimum dimensions WALCO® L
for on site assembly**



Annex B

Design values of load-carrying- capacities

B.1 Design capacities of timber-to-timber connector joints.

The downward and the upward directed forces are assumed to act in the middle of the joist. The force F_{45} is assumed to act at a distance e_{45} from the centre of gravity of the fasteners.

Force F_1 for Knapp Clip Connectors GIGANT, RICON (except RICON 40/40) and RICON S:

$$F_{1,Rd} = n_{ef} \cdot \min \{ F_{ax,Rd}; F_{t,Rd}; F_{1,KCC,Rd} \} \quad (B.1.1)$$

Force F_1 for Knapp Clip Connectors WALCO V and RICON 40/40:

$$\text{WALCO V with collar screw: } F_{1,Rd} = \min \{ 2 \cdot F_{ax,Rd}; 2 \cdot F_{t,Rd}; F_{ax,CS,Rd}; F_{1,KCC,Rd} \} \quad (B.1.2a)$$

$$\text{WALCO Z32 and Z40: } F_{1,Rd} \text{ see Table C.2} \quad (B.1.2b)$$

$$\text{WALCO V with base plate and RICON 40/40: } F_{1,Rd} = \min \{ n_{ef} \cdot F_{ax,Rd}; n_{ef} \cdot F_{t,Rd}; F_{1,KCC,Rd} \} \quad (B.1.2c)$$

Force F_1 for Knapp Hold Downs WALCO L T per WALCO L steel plate:

$$F_{1,Rd} = \min \{ 9 \cdot F_{v,Rd}; n_{ef,s1} \cdot F_{v,s1,Rd} \} \quad (B.1.2d)$$

Force F_2 or F_3 for Knapp Clip Connectors GIGANT, RICON (except RICON 40/40) and RICON S:

$$F_{23,Rd} = \min \left\{ \sum_{i=1}^{n_j} F_{v,J,Rd}^i; \frac{1}{\sqrt{\left(\sum_{i=1}^n \frac{n_{ef,H}}{n} F_{v,H,Rd}^i \right)^2 + \left(\frac{1}{k_{H,2}} \cdot F_{ax,H,Rd} \right)^2}}; F_{23,KCC,Rd} \right\} \quad (B.1.3a)$$

Force F_2 for Knapp Clip Connectors RICON 40/40:

$$F_{23,Rd} = \min \left\{ 0,7 \cdot \sum_{i=1}^n F_{v,J,Rd}^i; \frac{0,7}{\sqrt{\left(\sum_{i=1}^n F_{v,H,Rd}^i \right)^2 + \left(\frac{1}{k_{H,2}} \cdot F_{ax,H,Rd} \right)^2}}; F_{23,KCC,Rd} \right\} \quad (B.1.3b)$$

$$F_{v,J,Rd} = \frac{k_{mod}}{\gamma_M} \cdot \min \left\{ \begin{array}{l} f_{h,J,k} \cdot l_{ef,J} \cdot d \\ 2,3 \cdot \sqrt{M_{y,Rk} \cdot f_{h,J,k} \cdot d} + \frac{F_{ax,J,Rk}}{4} \\ f_{h,J,k} \cdot l_{ef,J} \cdot d \cdot \left[\sqrt{2 + \frac{4 \cdot M_{y,Rk}}{f_{h,J,k} \cdot d \cdot l_{ef,J}^2}} - 1 \right] + \frac{F_{ax,J,Rk}}{4} \end{array} \right. \quad (B1.3.1)$$

$F_{ax,J,Rk}$... tensile capacity of screw in the end grain of the joist:

$$F_{ax,J,Rk} = k_{ax} \cdot 0,52 \cdot \sqrt{d} \cdot \ell_{ef}^{0,9} \cdot \rho_k^{0,8} \quad (B.1.3.1a)$$

$$k_{ax} = 1 \text{ for } 45^\circ \leq \alpha \leq 90^\circ;$$

$$k_{ax} = 0,3 + \frac{0,7 \cdot \alpha}{45^\circ} \text{ for } 0^\circ \leq \alpha \leq 45^\circ;$$

$$F_{v,H,Rd} = \frac{k_{mod}}{\gamma_M} \cdot \min \left\{ \begin{array}{l} f_{h,H,k} \cdot l_{ef,H} \cdot d \\ 2,3 \cdot \sqrt{M_{y,Rk} \cdot f_{h,H,k} \cdot d} + \frac{F_{ax,H,Rk}}{4} \\ f_{h,H,k} \cdot l_{ef,H} \cdot d \cdot \left[\sqrt{2 + \frac{4 \cdot M_{y,Rk}}{f_{h,H,k} \cdot d \cdot l_{ef,H}^2}} - 1 \right] + \frac{F_{ax,H,Rk}}{4} \end{array} \right. \quad (B1.3.2)$$

$F_{ax,H,Rk}$... tensile capacity of screw in the side grain of the header:

$$F_{ax,H,Rk} = k_{ax} \cdot 0,52 \cdot \sqrt{d} \cdot \ell_{ef}^{0,9} \cdot \rho_k^{0,8} \text{ for joist (J) or header (H)} \quad (B.1.3.2a)$$

$$k_{ax} = 1 \text{ for } 45^\circ \leq \alpha \leq 90^\circ;$$

$$k_{ax} = 0,3 + \frac{0,7 \cdot \alpha}{45^\circ} \text{ for } 0^\circ \leq \alpha \leq 45^\circ;$$

If the penetration length of the screw in the timber member is at least 100 mm, and the inserted thread length is at least 8d, and the connection is in service class 1 or 2 within a closed building envelope, k_{ax} may be assumed as follows for $0^\circ \leq \alpha \leq 45^\circ$:

$$k_{ax} = 0,6 + \frac{0,4 \cdot \alpha}{45^\circ} \text{ for } 0^\circ \leq \alpha \leq 45^\circ;$$

Only for Knapp Clip Connectors RICON S 390x80 VS + ZP, two additional inclined screws per connector plate may be used for load direction F_2 . In this case, the load-carrying capacity of the inclined screws $F_{2,IS,Rd}$

may be added to $\sum_{i=1}^n F_{v,J,Rd}^i$ or to $\frac{1}{\sqrt{\left(\frac{1}{\sum_{i=1}^n F_{v,H,Rd}^i}\right)^2 + \left(\frac{1}{k_{H,2} \cdot F_{ax,H,Rd}}\right)^2}}$, respectively, but not to $F_{2,KCC,Rd}$.

$$F_{2,IS,Rd} = \frac{k_{mod} \cdot 40,0 \text{ kN}}{\gamma_M} \quad (B.1.3.3)$$

Load capacity $F_{23,Rd}$ for RICON S connections depending on the number of screws.

Table B.1: Max. number of screws n_{max} for RICON S

Knapp Clip Connector in joist or header plate	Max. number of screws n _{max}
RICON S 140x60	10
RICON S 170x60	13
RICON S 200x60	16
RICON S 230x60	19
RICON S 200x80	16
RICON S 230x80	19
RICON S 260x80	22
RICON S 290x80	25
RICON S 390x80	28+2
Knapp Clip Connector in column plate	Max. number of screws n _{max}
RICON S 140x60	8
RICON S 200x60	13
RICON S 200x80	13
RICON S 290x80	20
RICON S 390x80	23+2

Force F₂ or F₃ for Knapp Clip Connectors WALCO V with collar screw:

$$F_{2,Rd} = \min \{ F_{v,CS,Rd} \cdot n \cdot F_{v,Rd}; F_{23,KCC,Rd} \} \quad (B.1.4a)$$

Force F₂ for Knapp Clip Connectors WALCO V with collar screw in SWISS KRONO Magnum board:

$$F_{v,CS,Rd} = (k_{mod}/\gamma_M) \cdot 0,4 \cdot f_{h,k} \cdot l_{ef} \cdot d \quad (B.1.4b)$$

Force F₂ for Knapp Clip Connectors WALCO Z32 and Z40:

$$F_{2,Rd} \text{ see Table C.3} \quad (B.1.4c)$$

Force F₂₃ for Knapp Clip Connectors WALCO V with base plate:

$$F_{23,Rd} = \min \left\{ \frac{1}{\sqrt{\left(\sum_{i=1}^n F_{v,V,Rd}^i \right)^2 + \left(\frac{e \cdot z_{max}}{I_{p,V,ax}} \cdot F_{ax,V,Rd} \right)^2}}; \frac{1}{\sqrt{\left(\sum_{i=1}^n F_{v,BP,Rd}^i \right)^2 + \left(\frac{e \cdot z_{max}}{I_{p,BP,ax}} \cdot F_{ax,BP,Rd} \right)^2}}; F_{23,KCC,Rd} \right\} \quad (B.1.4d)$$

Force F₂₃ for Knapp Hold Downs WALCO L T per WALCO L steel plate:

$$F_{23,Rd} = \min \{ 5 \cdot F_{v,Rd}; n_{ef,s23} \cdot F_{v,s23,Rd} \} \quad (B.1.4e)$$

Force F₄₅ for Knapp Clip Connectors GIGANT, RICON (except RICON 40/40) and RICON S:

$$F_{45,Rd} = \min \left\{ \begin{array}{l} \frac{F_{v,J,Rd}}{\sqrt{\left(\frac{1}{n_{45}} + \frac{e_{J,45}}{a_1}\right)^2 + \left(\frac{e_{J,45}}{a_2}\right)^2}} \\ \frac{F_{v,H,Rd}}{\sqrt{\left(\frac{1}{n_{45}} + \frac{e_{H,45}}{a_1}\right)^2 + \left(\frac{e_{H,45}}{a_2}\right)^2 + \left(\frac{F_{v,H,Rd}}{k_{H,45} \cdot F_{ax,H,Rd}}\right)^2}} \\ F_{45,KCC,Rd} \end{array} \right. \quad (B.1.5a)$$

Force F_{45} for Knapp Clip Connectors RICON 40/40:

$$F_{45,Rd} = F_{23,Rd} \text{ (see equation B.1.3b)} \quad (B.1.5b)$$

An effective number of screws n_{45} is used, for Knapp Clip Connectors RICON (except RICON 40/40) based on the load-carrying capacity of 8 mm screws, see Table C.1. Only for Knapp Clip Connectors RICON, a reinforcing plate may be used. In this case, the load-carrying capacity of the reinforcing plate $F_{45,RC,Rd}$ may be added to $F_{45,Rd}$.

$$F_{45,RC,Rk} = 4,0 \text{ kN} \quad (B.1.6)$$

Force F_{45} for Knapp Clip Connectors WALCO V:

$$\text{WALCO V with collar screw: } F_{45,Rd} = \min \{ F_{v,CS,Rd}; 2 \cdot F_{v,Rd}; F_{45,KCC,Rd} \} \quad (B.1.7a)$$

Force F_{45} for Knapp Clip Connectors WALCO V with collar screw in SWISS KRONO Magnum board:

$$F_{v,CS,Rd} = (k_{mod}/\gamma_M) \cdot 0,4 \cdot f_{h,k} \cdot l_{ef} \cdot d \quad (B.1.7b)$$

$$\text{WALCO 32 and 40: } F_{45,Rd} \text{ see Table C.4} \quad (B.1.7c)$$

$$\text{WALCO V with base plate: } F_{45,Rd} = \min \left\{ \begin{array}{l} \frac{F_{v,V,Rd}}{\sqrt{\left(\frac{1}{n} + \frac{e_{45} \cdot x_{max}}{I_{p,v}}\right)^2 + \left(\frac{e_{45} \cdot y_{max}}{I_{p,v}}\right)^2 + \left(\frac{e \cdot y_{ax,max} \cdot F_{v,V,Rd}}{I_{p,ax} \cdot F_{ax,V,Rd}}\right)^2}} \\ \frac{F_{v,BP,Rd}}{\sqrt{\frac{1}{n^2} + \left(\frac{e \cdot y_{ax,max} \cdot F_{v,BP,Rd}}{I_{p,ax} \cdot F_{ax,BP,Rd}}\right)^2}} \\ F_{45,KCC,Rd} \end{array} \right. \quad (B.1.7d)$$

Force F_4 for Knapp Hold Downs WALCO L T per WALCO L steel plate:

$$F_{4,Rd} = \frac{k_{mod} \cdot 4,5 \text{ kN}}{\gamma_{M,timber}} \quad (B.1.7e)$$

Force F_5 for Knapp Hold Downs WALCO L T per WALCO L steel plate:

$$F_{5,Rd} = \frac{k_{mod} \cdot 12,1 \text{ kN}}{\gamma_{M,timber}} \quad (B.1.7f)$$

Where:

$F_{ax,Rd}$ Design withdrawal capacity of a tensile screw

$$F_{ax,Rd} = \frac{k_{mod}}{\gamma_M} \cdot k_{ax} \cdot 0,52 \cdot \sqrt{d} \cdot \ell_{ef}^{0,9} \cdot \rho_k^{0,8} \quad \text{for softwood timber}$$

$$F_{ax,Rd} = \frac{k_{mod}}{\gamma_M} \cdot f_{ax,k} \cdot d \cdot \ell_{ef} \quad \text{for SWISS KRONO Magnum Board} \quad (B.1.4)$$

$$k_{ax} = 1 \quad \text{for } 45^\circ \leq \alpha \leq 90^\circ;$$

$$k_{ax} = 0,3 + \frac{0,7 \cdot \alpha}{45^\circ} \quad \text{for } 0^\circ \leq \alpha \leq 45^\circ;$$

If the penetration length of the screw in the timber member is at least 100 mm, and the inserted thread length is at least 8d, and the connection is in service class 1 or 2 within a closed building envelope, k_{ax} may be assumed as follows for $0^\circ \leq \alpha \leq 45^\circ$:

$$k_{ax} = 0,6 + \frac{0,4 \cdot \alpha}{45^\circ} \quad \text{for } 0^\circ \leq \alpha \leq 45^\circ;$$

$f_{ax,k} = 12 \text{ N/mm}^2$ for $\alpha = 0^\circ$ and $d = 10 \text{ mm}$ for SWISS KRONO Magnum Board;

$f_{ax,k} = 16 \text{ N/mm}^2$ for $\alpha = 90^\circ$ and $d = 10 \text{ mm}$ for SWISS KRONO Magnum Board;

$F_{ax,CS,Rd}$ Design withdrawal capacity of a collar screw (WALCO V) according to eq. (B.1.4)

$f_{ax,k} = 4,75 \text{ N/mm}^2$ for $\alpha = 0^\circ$ and $d = 16 \text{ mm}$ for SWISS KRONO Magnum Board;

$f_{ax,k} = 12 \text{ N/mm}^2$ for $\alpha = 90^\circ$ and $d = 16 \text{ mm}$ for SWISS KRONO Magnum Board;

$\ell_{ef,CS}$ 46 mm (see drawing page 88)

d outer thread diameter of a screw in mm;

ℓ_{ef} point side penetration length of the threaded part in mm;

ρ_k characteristic density in kg/m^3 ;

α angle between grain direction or Magnum Board panel plane, respectively, and screw axis;

n_{ef} effective number of screws;

$$n_{ef} = \frac{a_c}{a_c - e_1} \quad \text{for Knapp Clip Connectors GIGANT, RICON and RICON S (VK);}$$

$$n_{ef} = \frac{2 \cdot a_c}{a_c - e_1} \quad \text{for Knapp Clip Connectors RICON S (GK, EK, VS);}$$

$n_{ef} = 4$ for Knapp Clip Connectors WALCO V with base plate and RICON 40/40 with 4 screws in corners;

$n_{ef} = 1,2$ for Knapp Clip Connectors WALCO V60 with base plate with 2 screws in long holes;

$n_{ef} = 1,4$ for Knapp Clip Connectors WALCO V80 with base plate with 2 screws in long holes;

a_c spacing between the tensile screws of Connectors GIGANT, RICON and RICON S, see Table C.1;

e_1 distance between load F_1 and the tensile screw considered (see Figure B.1). e_1 is positive if F_1 acts within the length a_c , otherwise e_1 is negative;

$2 \cdot e$ distance between the load F_2 or F_3 and the shear plane between connector plate and timber member;

$F_{t,Rd}$ Design screw tensile capacity;

$F_{1,KCC,Rd}$ Design capacity of the Knapp Clip Connector, characteristic values see Table C.1.

$F_{v,Rd}$ For clip connectors. Design lateral load-carrying capacity per shear plane per fastener according to EN 1995-1-1 8.2.3 for thick outer steel plates in the joist or in the header indicated by the indices J or H, where the embedding strength is as follows;

$f_{h,k}$ characteristic embedding strength for joist or header screw;

$$f_{h,k} = (0,033 + 0,049 \cdot \alpha/90^\circ) \cdot \rho_k \cdot d^{-0,3} \quad \text{in Mpa for timber members;}$$

$$f_{h,k} = (0,7 + 0,3 \cdot \alpha/90^\circ) \cdot 95 \cdot d^{-0,6} \quad \text{in Mpa for Magnum Board members;}$$

$F_{v,Rd}$ For WALCO L T hold downs: Design lateral load-carrying capacity per shear plane per nail for thick outer steel plates for connections with interlayers from wood-based panels or gypsum board:

$$F_{v,Rd} = \min \begin{cases} f_{h,d} \cdot t_1 \cdot d + f_{h,int,d} \cdot t \cdot d \\ 2 \cdot f_{h,d} \cdot b_1 \cdot d - f_{h,d} \cdot t_1 \cdot d + f_{h,int,d} \cdot t \cdot d + \frac{F_{ax,Rd}}{4} \\ f_{h,d} \cdot b_2 \cdot d + f_{h,int,d} \cdot t \cdot d + \frac{F_{ax,Rd}}{4} \end{cases}$$

$f_{h,k}$ characteristic timber embedding strength in N/mm²;
 $f_{h,int,k}$ characteristic interlayer embedding strength in N/mm²;
 d nominal nail diameter in mm;
 t_1 nail penetration length in timber member in mm;
 t interlayer thickness in mm;

$$b_1 = -t + \sqrt{t^2 + \frac{M_{y,Rd}}{f_{h,d} \cdot d} - \frac{\delta \cdot t^2}{2} + t_1 \cdot t + \frac{t_1^2}{2}}$$

$$b_2 = -t + \sqrt{t^2 + \frac{4 \cdot M_{y,Rd}}{f_{h,d} \cdot d} - \delta \cdot t^2}$$

$$\delta = \frac{f_{h,int,d}}{f_{h,d}}$$

$M_{y,Rd}$ Design value of nail yield moment;

$F_{ax,Rd}$ Design value of nail withdrawal strength in timber member;

$F_{v,CS,Rd}$ Design load-carrying capacity of a collar screw according to EN 1995-1-1 8.2.3 for thin outer steel plates;

$F_{v,s1,Rd}$ Design load-carrying capacity of a steel-to-steel screw for load direction F_1 according to Table B.3;

$F_{v,s23,Rd}$ Design load-carrying capacity of a steel-to-steel screw for load direction F_{23} according to Table B.3;

$F_{ax,H,Rd}$ Design axial capacity of an outer header screw according to EN 1995-1-1 8.7.2, for Knapp Clip Connectors RICON for the 8 mm screw;

n number of screws per connector plate;

n_J number of screws per joist connector plate for RICON S;

n_H number of screws per header connector plate for RICON S;

$n_{ef,H}$ number of screws per header connector plate for RICON or RICON S, $n_{ef,H} = n_H$;

$n_{ef,H}$ effective number of screws per column connector plate for RICON S, $n_{ef,H} = n \cdot \left(\frac{a_{1,screw}}{13 \cdot d} \right)^{0,25}$;

$n_{ef,s1}$ effective number of screws per vertical flap for WALCO L T, see Table B.3

$n_{ef,s23}$ effective number of screws per vertical flap for WALCO L T, see Table B.3

$a_{1,screw}$ minimum screw spacing in column connector plate for RICON S;

$k_{H,2}$ form factor, see Table C.1;

$F_{23,KCC,Rd}$ Design capacity of the Knapp Clip Connector, characteristic values see Table C.1.

n_{45} effective number of screws per connector plate for load F_{45} ;

e_{45} Distance between the force F_{45} and the centroid of the fasteners in the joist or in the header indicated by the indices J or H;

a_1, a_2 connector dimensions, see Table C.1;

$k_{H,45}$ form factor, see Table C.1;

$F_{45,KCC,Rd}$ Design capacity of the Knapp Clip Connector, characteristic values see Table C.1.

Table B.2: Number of screws per plate, dimensions e, z_{max}, and polar moments I_{p,V,ax}, I_{p,v}, I_{p,ax} for WALCO V

WALCO V connector plate	n	2·e [mm]	z _{max} [mm]	I _{p,V,ax} [mm ²]	e ₄₅ [mm]	x _{max} [mm]	y _{max} [mm]	y _{ax,max} [mm]	I _{p,v} [mm ²]	I _{p,ax} [mm ²]
V60 EH	4	< 64	22,5	1013	11,25	11,25	22,5	45	1266	2025
V60 VK	4	23	22,5	1013	11,25	11,25	22,5	45	1266	2025
V60 VS	4	23	22,5	1013	11,25	11,25	22,5	45	1266	2025
V80 EH	4	<102	30	1800	15	15	30	60	2250	3600
V80 VK	4	27	30	2025	15	15	30	60	2250	3600
V80 VS	4	27	30	1800	15	15	30	60	2250	3600
WALCO V base plate	n	2·e [mm]	z _{max} [mm]	I _{p,BP,ax} [mm ²]				y _{ax,max} [mm]	I _{p,v} [mm ²]	I _{p,ax} [mm ²]
V60 EH	4	< 64	45	4050				45	2025	2025
V60 EH screws in long holes	2	< 64	45	2025				-	-	-
V60 VK	5	23	45	4556				45	2025	2025
V60 VS	4	23	45	4050				45	2025	2025
V80 EH	4	< 102	60	7200				60	3600	3600
V80 EH screws in long holes	2	< 76	60	3600				-	-	-
V80 VK	5	27	60	8100				60	3600	3600
V80 VS	4	27	60	7200				60	3600	3600

Table B.1: Effective number n_{ef,s} of 8 mm steel-to-steel screws for WALCO L T vertical flange

Number of screws	n _{ef,s1}	n _{ef,s23}
2	1,00	0,57
3	1,28	1,23
4	1,67	2,19

Table B.2: WALCO Z32 and Z40: number of screws per plate

WALCO connector plate	Connector plate fastened to timber member without interlayer			
	SK RICON 5x50 screws ETA 10-0189	CPS chipboard screws 6x50 full thread ETA 12-0276	SK 8x60 screws ETA 10-0189	SK 10x60 screws ETA 10-0189
32 full screw pattern	4	-	2	-
32 partial screw pattern	-	-	2	-
40 full screw pattern	-	4	-	2
40 partial screw pattern	-	-	-	2
WALCO connector plate	Connector plate fastened to timber member with interlayer up to 22 mm thick			
	SK RICON 5x80 screws ETA 10-0189	CPS chipboard screws 6x70 full thread ETA 12-0276	SK 8x80 screws ETA 10-0189	SK 10x80 screws ETA 10-0189
32 full screw pattern	4	-	2	-
32 partial screw pattern	-	-	2	-
40 full screw pattern	-	4	-	2
40 partial screw pattern	-	-	-	2

Table B.3: Effective number n_{ef,s} and characteristic lateral load-carrying capacities F_{v,s1,Rk} and F_{v,s23,Rk} of steel-to-steel screws for WALCO L T vertical flange

Number, diameter and length of screws		n _{ef,s1}	n _{ef,s23}	F _{v,s1,Rk}	F _{v,s23,Rk}
2	8x25 mm	1,00	0,57	13,0	18,3
3	8x25 mm	1,28	1,23	13,0	18,3
4	8x25 mm	1,67	2,19	13,0	18,3
4	6,3x22 mm	1,67	2,19	11,0	11,0
6	6,3x22 mm	2,65	2,58	11,0	11,0
4	6,3x25 mm	1,67	2,19	8,0	8,0
6	6,3x25 mm	2,65	2,58	8,0	8,0

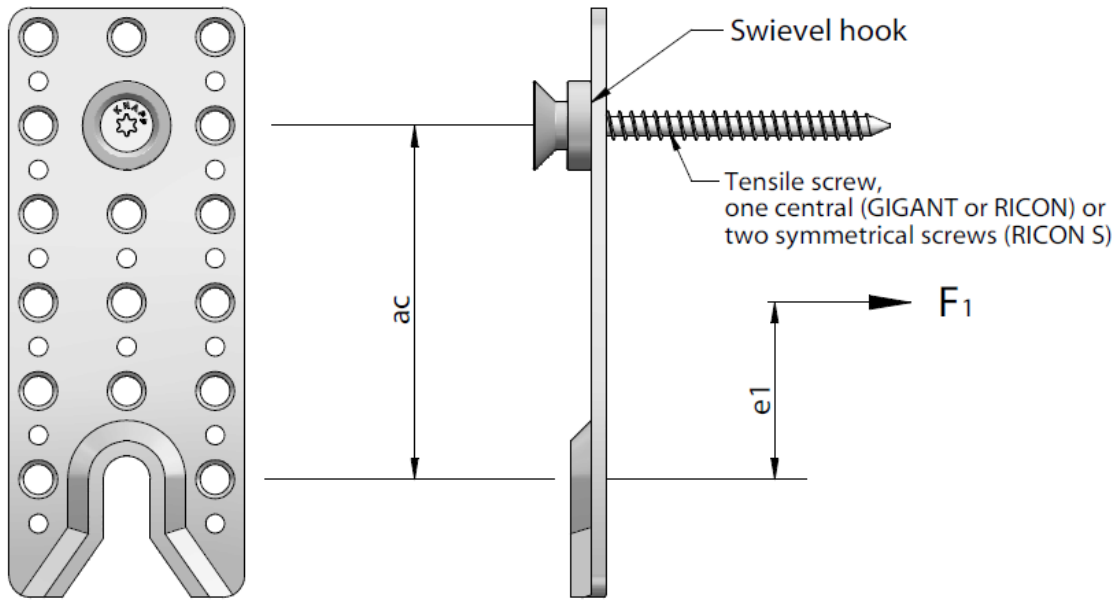


Fig. B.1: Definition of e_1

Combined forces

In case of combined forces, the following inequality shall be fulfilled:

$$\left(\frac{F_{1,Ed}}{F_{1,Rd}} \right)^2 + \left(\frac{F_{23,Ed}}{F_{23,Rd}} \right)^2 + \left(\frac{F_{45,Ed}}{F_{45,Rd}} \right)^2 \leq 1 \quad (B.1.8)$$

B.2 Design capacities of connector joints with bolts or metal anchors

Knapp Clip Connectors:

For connector plates connected to a steel member or to a timber member using bolts or interconnection nuts the assumptions for the calculation of the load-carrying capacity of the connection are:

- The transfer of force from the joist to the connector plate is as for a wood-wood connection, see clause B.1;
- The bolts or interconnection nuts shall always be arranged as the screws they are replacing;
- No washers are required.

The static behaviour is the same as for a wood-wood connection with screws. The bolt capacities replace the respective header screw capacities in equations B.1 to B.7.

Knapp Hold Downs:

The load $F_{B,Ed}$ for the design of a bolt or metal anchor is calculated as:

Load direction F_1 :

$$F_{B,t,Ed} = 1,4 \cdot F_{1,Ed} \text{ for tensile load on each metal anchor for floor angle L 200x4}$$

$$F_{B,t,Ed} = 0,8 \cdot F_{1,Ed} \text{ for tensile load on each metal anchor for floor angle L 200x4 for onsite mounting}$$

$$F_{B,t,Ed} = 2,8 \cdot F_{1,Ed} \text{ for tensile load on central metal anchor for floor angle T 420x4}$$

$$F_{B,t,Ed} = 0,8 \cdot F_{1,Ed} \text{ for tensile load on outer metal anchors for floor angle T 420x4}$$

$$F_{B,t,Ed} = 1,6 \cdot F_{1,Ed} \text{ for tensile load on central metal anchor for floor angle T 420x4 for onsite mounting}$$

$$F_{B,t,Ed} = 0,8 \cdot F_{1,Ed} \text{ for tensile load on outer metal anchors for floor angle T 420x4 for onsite mounting}$$

Load direction F_{23} :

WALCO floor angle	Load per bolt or metal anchor parallel to bend line $F_{b,v,Ed }$	Load per bolt or metal anchor perpendicular to bend line $F_{b,v,Ed\perp}$
L 200x4	$F_{23,Ed}/2$	$F_{23,Ed}/2$
T 420x4	$F_{23,Ed}/3$	$F_{23,Ed}/4$
L 200x4 onsite	$F_{23,Ed}/2$	$F_{23,Ed}/5$
T 420x4 onsite	$F_{23,Ed}/3$	$F_{23,Ed}/11$

Load direction F_4 or F_5 :

WALCO floor angle	Load per bolt or metal anchor perpendicular to bend line $F_{b,v,Ed\perp}$
L 200x4	$F_{23,Ed}/2$
T 420x4	$F_{23,Ed}/3$
L 200x4 onsite	$F_{23,Ed}/2$
T 420x4 onsite	$F_{23,Ed}/3$

B.3 Connection stiffness

The following slip moduli K_{ser} are to be used for Knapp Clip Connectors joints:

Load direction F1

Knapp Clip Connectors GIGANT:	$K_{ser} = 8,0 \text{ kN/mm}$
Knapp Clip Connectors RICON L/40:	$K_{ser} = 12,0 \text{ kN/mm}$
Knapp Clip Connectors RICON L/30:	$K_{ser} = 6,0 \text{ kN/mm}$
Knapp Clip Connectors RICON L/25:	$K_{ser} = 5,0 \text{ kN/mm}$
Knapp Clip Connectors RICON 66/16 and 70/20:	$K_{ser} = 5,0 \text{ kN/mm}$
Knapp Clip Connectors RICON S:	$K_{ser} = 25,0 \text{ kN/mm}$
Knapp Clip Connectors WALCO V with collar screw:	$K_{ser} = 4,0 \text{ kN/mm}$
Knapp Clip Connectors WALCO V with base plate:	$K_{ser} = 12,0 \text{ kN/mm}$
Knapp Hold Downs WALCO L T:	$K_{ser} = 4,0 \text{ kN/mm}$

Load directions F₂, F₃ or F₄₅

For a central load parallel to the plane of the connector plates, the slip modulus for joints with Knapp Clip Connectors may be calculated as:

Knapp Clip Connectors GIGANT, RICON and RICON S:

$$K_{ser} = 0,02 \cdot \sum_{i=1}^n \rho_m^{1,5} \cdot d_i^{0,8} \quad (\text{B.3.1})$$

Where:

- ρ_m The lower value of the mean density of the joist or header;
- n Number of screws in the joist or header connection;
- d_i Outer thread diameter;

Knapp Clip Connectors WALCO V with collar screw in timber members:	$K_{ser} = 1,0 \text{ kN/mm}$
Knapp Clip Connectors WALCO V with collar screw in Magnum Board members:	$K_{ser} = 3,0 \text{ kN/mm}$
Knapp Clip Connectors WALCO V with base plate:	$K_{ser} = \frac{F_{Rk}}{4,5 \text{ mm}}$

For an eccentric load parallel to the plane of the connector plates, the slip modulus for joints with Knapp Clip Connectors GIGANT, RICON and RICON S may be calculated as:

Knapp Clip Connectors GIGANT:	$K_{ser} = 1,0 \text{ kN/mm}$
Knapp Clip Connectors RICON L/30 and L/40 without reinforcing plate:	$K_{ser} = 1,0 \text{ kN/mm}$
Knapp Clip Connectors RICON L/25 without reinforcing plate:	$K_{ser} = 0,5 \text{ kN/mm}$
Knapp Clip Connectors RICON 66/16 and 70/20:	$K_{ser} = 0,25 \text{ kN/mm}$
Knapp Clip Connectors RICON with reinforcing plate:	$K_{ser} = 2,5 \text{ kN/mm}$
Knapp Clip Connectors RICON S:	$K_{ser} = 4,0 \text{ kN/mm}$

Load direction F₂₃

Knapp Hold Downs WALCO L T:	$K_{ser} = 8,0 \text{ kN/mm}$
-----------------------------	-------------------------------

Load direction F₄

Knapp Hold Downs WALCO L T:	$K_{ser} = 2,0 \text{ kN/mm}$
-----------------------------	-------------------------------

Load direction F₅

Knapp Hold Downs WALCO L T:	$K_{ser} = 3,0 \text{ kN/mm}$
-----------------------------	-------------------------------

Annex C

Table C.1: Characteristic capacities $F_{KCC,Rk}$, form factors k_H , dimensions a_c , a_1 , a_2 and numbers n_{45}

Knapp Clip Connectors	$F_{1,KCC,Rk}$ [kN]	$F_{2,KCC,Rk}$ [kN]	$F_{3,KCC,Rk}$ [kN]	$F_{45,KCC,Rk}$ [kN]	$k_{H,2}$	$k_{H,45}$	a_c [mm]	a_1 [mm]	a_2 [mm]	n_{45}	
GIGANT 120/40	6,2	17,0	12,0	12,0	2,55	2,22	58	56	∞	3	
GIGANT 150/40 without clip lock		24,0	-	16,0	4,74	2,22	90	91	422	4	
GIGANT 150/40 with clip lock			12,0		4,95	2,96	90	98	∞	4	
GIGANT 180/40 without clip lock		33,0	-	20,0	8,84	3,46	122	140	882	6	
GIGANT 180/40 with clip lock			12,0		8,15	3,70	122	151	∞	5	
RICON 40/40	4,7	5,6	-	-	4,60	-	-	-	-	-	
RICON 66/16	2,6	3,7	$n_{CL} \cdot 1,0$	2,5	4,33	1,16	51	23	∞	2,7	
RICON 70/20		3,7		2,5	4,46	1,16	55	25	∞	2,7	
RICON 100/25	2,6	10,0	-	2,5	8,9	1,10	80	69	∞	3,3	
RICON 120/25	2,6	10,0	-	2,5	13,9	1,47	100	99	∞	4,0	
RICON 140/25	2,6	10,0	-	2,5	17,3	1,47	120	123	∞	4,0	
RICON 160/25	2,6	10,0	-	2,5	23,8	2,20	140	159	∞	4,7	
RICON 60/30	4,1	4,5	$n_{CL} \cdot 1,9$	1,8	2,40	5,46	40	26	51	2,8	
RICON 80/30		8,2		3,6	6,02	6,44	60	46	131	3,8	
RICON 100/30		10,4		4,5	12,0	10,9	80	74	307	5,6	
RICON 120/30		13,4		5,4	20,3	15,4	100	110	595	7,3	
RICON 140/30		13,4		5,4	31,0	19,9	120	153	1025	9,1	
RICON 160/30		13,4		5,4	44,0	24,4	140	205	1629	10,9	
Double RICON 80/30 ¹⁾		8,2		3,6	27,6	11,9	140	181	1414	6,6	
Double RICON 100/30 ¹⁾		10,4		4,5	56,5	20,9	180	317	3232	10,1	
Double RICON 120/30 ¹⁾		13,4		5,4	94,8	29,8	220	483	6114	13,7	
Double RICON 140/30 ¹⁾							260				
Double RICON 160/30 ¹⁾							300				
RICON 60/40 carbon	5,9	6,0	$n_{CL} \cdot 2,7$	4,0	2,30	7,28	34	29	43	2,8	
RICON 80/40 carbon		11,0		8,0	5,09	8,61	54	42	81	3,8	
RICON 100/40 carbon		14,0		10,0	10,9	14,6	74	72	212	5,6	
RICON 120/40 carbon		18,0		12,0	19,1	20,5	94	109	433	7,3	
RICON 140/40 carbon		18,0		12,0	29,6	26,4	114	154	767	9,1	
RICON 160/40 carbon		18,0		12,0	42,6	32,4	134	208	1241	10,9	
Double RICON 80/40 carbon ¹⁾		11,0		8,0	27,6	15,9	134	182	1140	6,6	
Double RICON 100/40 carbon ¹⁾		14,0		10,0	56,5	27,8	174	319	2603	10,1	
Double RICON 120/40 carbon ¹⁾		18,0		12,0	94,8	39,7	214	486	4918	13,7	
Double RICON 140/40 carbon ¹⁾							254				
Double RICON 160/40 carbon ¹⁾							294				
RICON 60/40 stainless	4,4	4,5	$n_{CL} \cdot 2,7$	3,0	2,30	7,28	34	29	43	2,8	
RICON 80/40 stainless		8,2		6,0	5,09	8,61	54	42	81	3,8	
RICON 100/40 stainless		10,4		7,5	10,9	14,6	74	72	212	5,6	
RICON 120/40 stainless		13,4		9,0	19,1	20,5	94	109	433	7,3	
RICON 140/40 stainless		13,4		9,0	29,6	26,4	114	154	767	9,1	
RICON 160/40 stainless		13,4		9,0	42,6	32,4	134	208	1241	10,9	
Double RICON 80/40 stainless ¹⁾		8,2		6,0	27,6	15,9	134	182	1140	6,6	
Double RICON 100/40 stainless ¹⁾		10,4		7,5	56,5	27,8	174	319	2603	10,1	
Double RICON 120/40 stainless ¹⁾		13,4		9,0	94,8	39,7	214	486	4918	13,7	
Double RICON 140/40 stainless ¹⁾							254				
Double RICON 160/40 stainless ¹⁾							294				
RICON S 140/60	9,0	34,0 (60,0) ²⁾	18,0	34,0	10,7	8,25	60	313	683	10	
RICON S 170/60					18,3	10,6	90	438	1240	13	
RICON S 200/60					27,8	13,0	120	590	2061	16	
RICON S 230/60					39,3	15,3	150	771	3210	19	
RICON S 200/80		50,0 (99,0) ²⁾		50,0	50,0	27,8	17,3	120	665	1678	16
RICON S 230/80						39,3	20,5	150	835	2548	19
RICON S 260/80						52,9	23,6	180	1045	3704	22
RICON S 290/80						68,4	26,8	210	1284	5189	25
RICON S 390/80 VP						180	180	180	58,0	24,0	270
RICON S 390/80 VP + VS		58,0		24,0	270				1581	7226	28

Table C.1 contd: Characteristic capacities $F_{KCC,Rk}$, form factors k_H , dimensions a_c , a_1 , a_2 and numbers n_{45}

Knapp Clip Connectors	$F_{1,KCC,Rk}$ [kN]	$F_{2,KCC,Rk}$ [kN]	$F_{3,KCC,Rk}$ [kN]	$F_{45,KCC,Rk}$ [N]	$k_{H,2}$	$k_{H,45}$	a_c [mm]	a_1 [mm]	a_2 [mm]	n_{45}	
RICON S 140/60 VS column	9,0	60,0	18,0	34,0	8,0	-	60	-	-	-	
RICON S 200/60 VS 9 screws in column					18,0	-	120	-	-	-	
RICON S 200/60 VS 13 screws in column					19,6	-	120	-	-	-	
RICON S 200/80 VS 9 screws in column		99,0		18,0	50,0	18,0	-	120	-	-	-
RICON S 200/80 VS 13 screws in column						19,6	-	120	-	-	-
RICON S 290/80 VS 13 screws in column						40,4	-	210	-	-	-
RICON S 290/80 VS 20 screws in column						45,4	-	210	-	-	-
RICON S 390/80 VS 23 screws in column						57,9	-	270	-	-	-
RICON S 390/80 VS + VP 23+2 screws in column						57,9	-	270	-	-	-
WALCO V 60, WALCO V 80		17,0		1,6	17,0	-	-	-	-	-	-
WALCO V80 oblong hole	-	-	-	8,0	-	-	-	-	-		

n_{CL}: Number of clip locks in RICON connections, n_{CL} = 1 or n_{CL} = 2

- 1) Characteristic and design values can be used for double RICON with distance or without distance between the two members
- 2) $F_{2,KCC,Rd} = 60,0$ kN for RICON S60 with welded collar bolt (VS) and retaining screw bolt (with insert screw, long nut, press nut or nut M12)
- 3) $F_{2,KCC,Rd} = 99,0$ kN for RICON S80 only with welded collar bolt (VS)

Table C.2: Characteristic capacities $F_{1,Rk}$ for timber members C24 and higher

Interlayer	No			OSB*			GFB**		
	partial		full	partial		full	partial		full
Screw pattern	No	Yes	Yes	No	Yes	Yes	No	Yes	Yes
Pre-drilling	No	Yes	Yes	No	Yes	Yes	No	Yes	Yes
WALCO Z32	3,64	3,64	3,64	3,64	3,64	3,64	3,64	3,64	3,64
WALCO Z40	4,73	4,73	4,73	4,73	4,73	4,73	4,73	4,73	4,73

* OSB/3 or OSB/4 with thickness up to 22 mm according to EN 300 or ETA
** Gypsum fibre board with thickness up to 22 mm according to EN 15283-2 or ETA
To determine $F_{1,Rd}$ for connections with interlayer, k_{mod} and γ_M of the interlayer material shall be used

Table C.3: Characteristic capacities $F_{2,Rk}$ for timber members C24 and higher

Interlayer	No			OSB*			GFB**		
	partial		full	partial		full	partial		full
Screw pattern	No	Yes	Yes	No	Yes	Yes	No	Yes	Yes
Pre-drilling	No	Yes	Yes	No	Yes	Yes	No	Yes	Yes
WALCO Z32	5,49	8,20	9,0	7,64	8,56	9,0	5,96	5,96	9,0
WALCO Z40	6,63	10,8	10,8	9,76	10,8	10,8	7,60	7,60	10,8

* OSB/3 or OSB/4 with thickness up to 22 mm according to EN 300 or ETA
** Gypsum fibre board with thickness up to 22 mm according to EN 15283-2 or ETA
To determine $F_{2,Rd}$ for connections with interlayer, k_{mod} and γ_M of the interlayer material shall be used

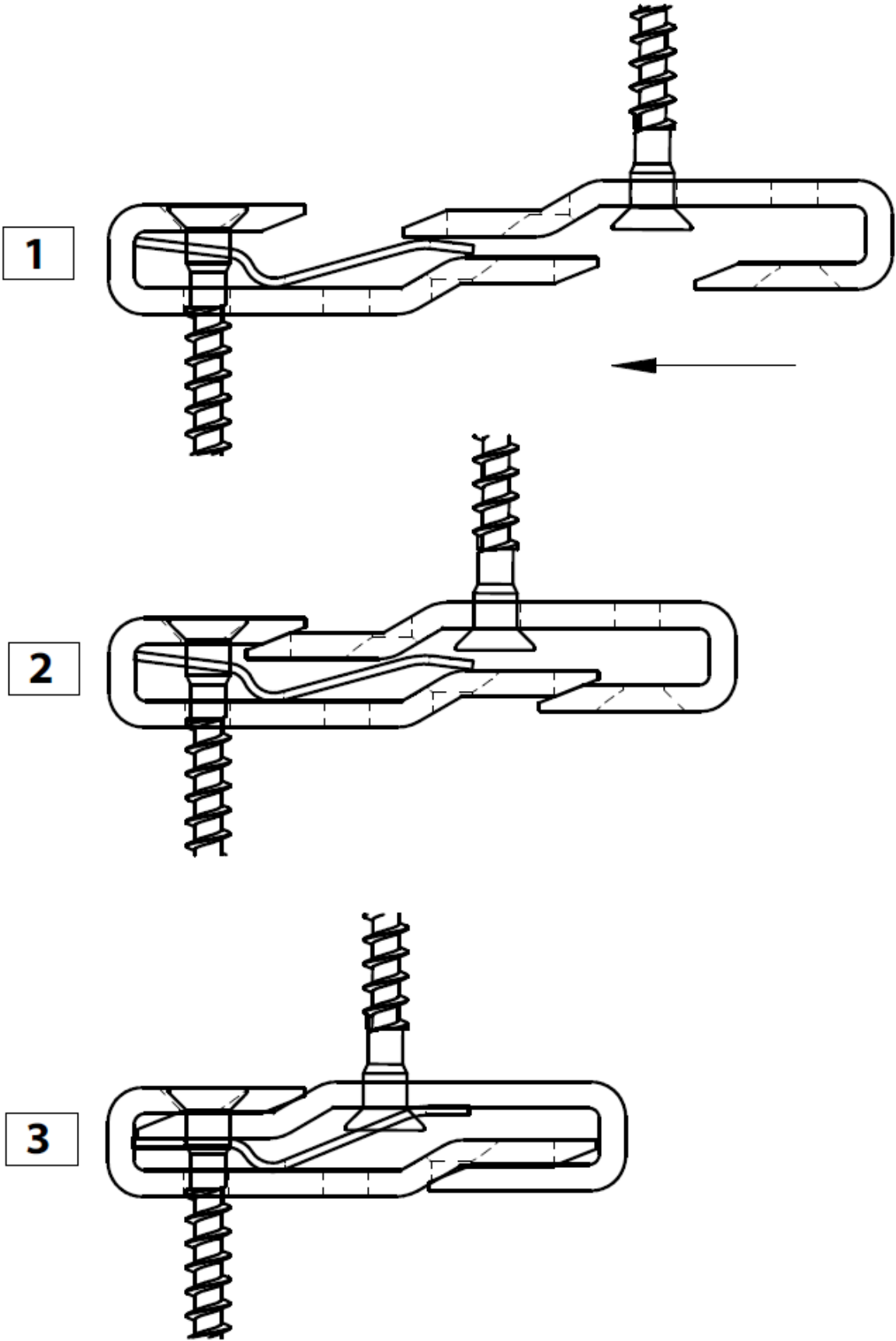
Table C.4: Characteristic capacities $F_{45,Rk}$ for timber members C24 and higher

Interlayer	No			OSB*			GFB**		
	partial		full	partial		full	partial		full
Screw pattern	No	Yes	Yes	No	Yes	Yes	No	Yes	Yes
Pre-drilling	No	Yes	Yes	No	Yes	Yes	No	Yes	Yes
WALCO Z32	2,24	3,39	3,76	3,30	3,70	3,76	2,50	2,52	3,12
WALCO Z40	2,63	4,41	4,41	4,11	4,41	4,41	3,10	3,14	3,93

* OSB/3 or OSB/4 with thickness up to 22 mm according to EN 300 or ETA
** Gypsum fibre board with thickness up to 22 mm according to EN 15283-2 or ETA
To determine $F_{45,Rd}$ for connections with interlayer, k_{mod} and γ_M of the interlayer material shall be used

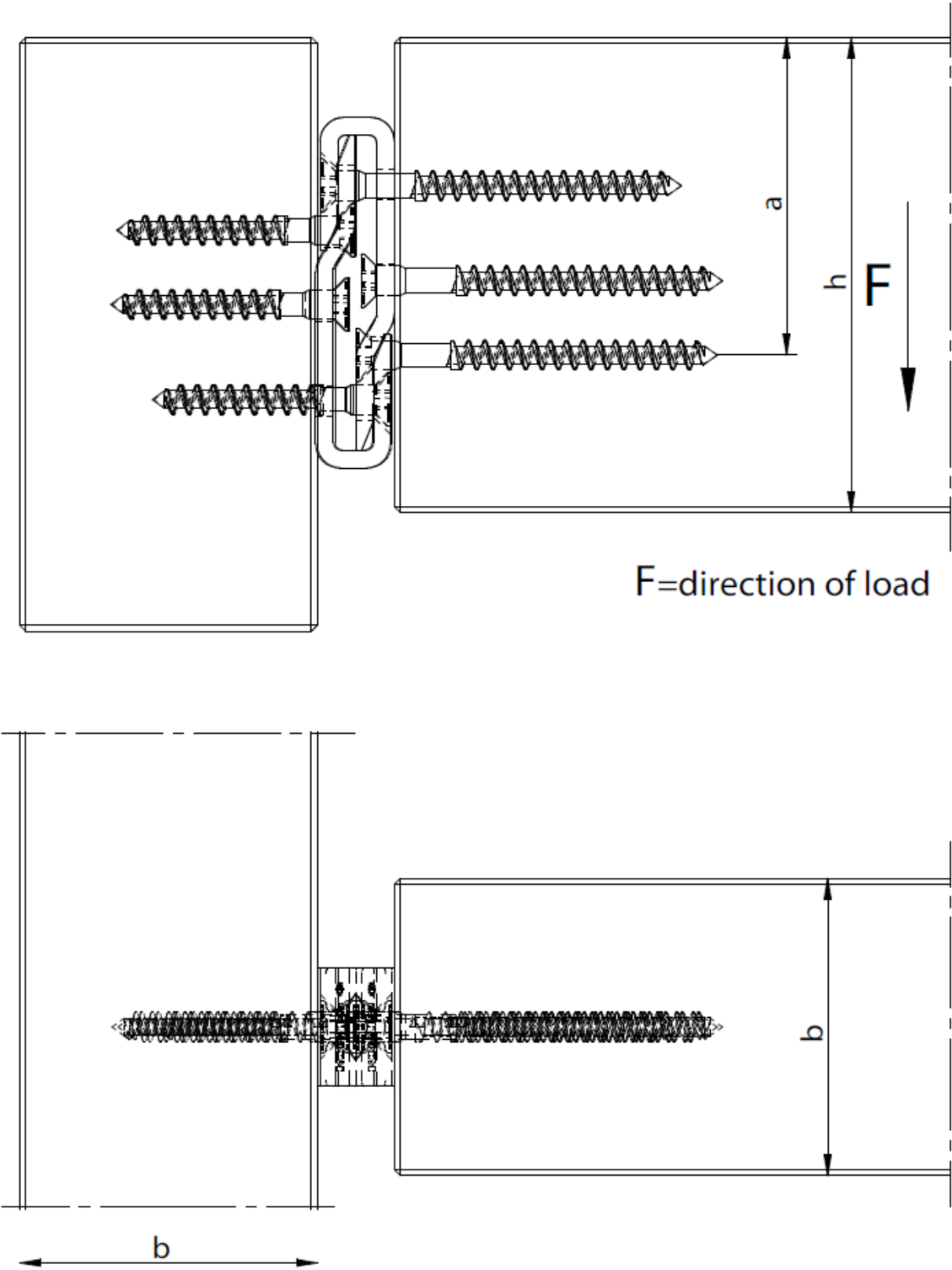
Annex D
Installation of connectors

GIGANT
Functional principle clip lock



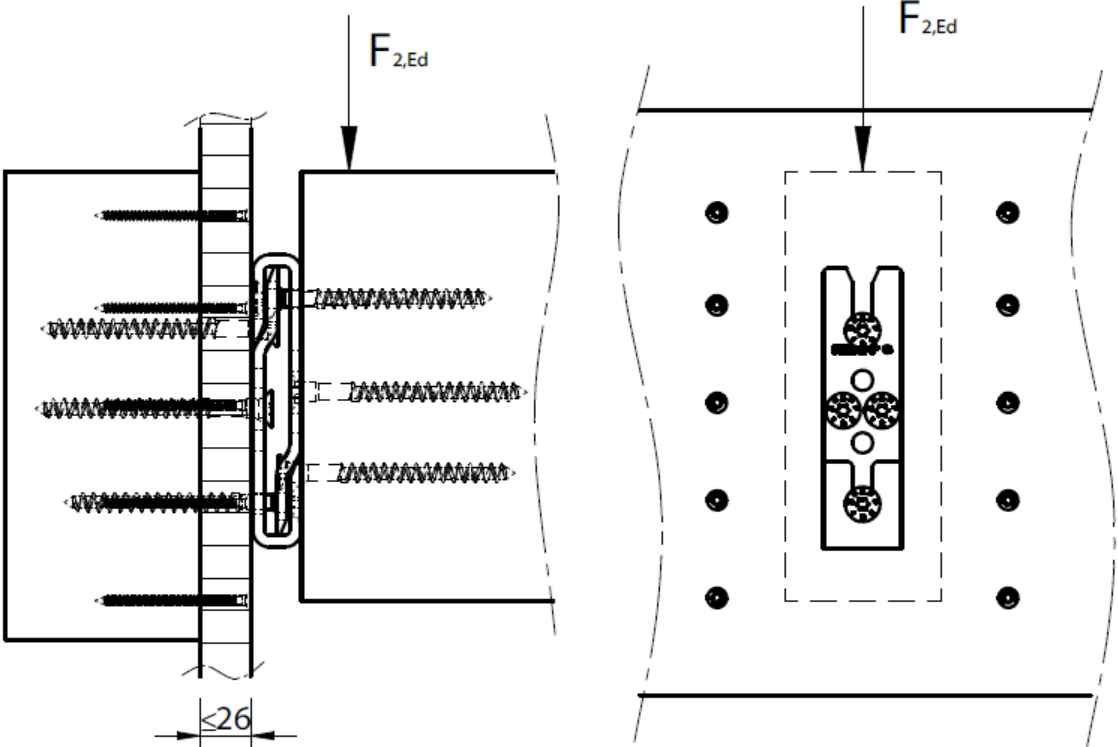
GIGANT

Wood-to-wood joint



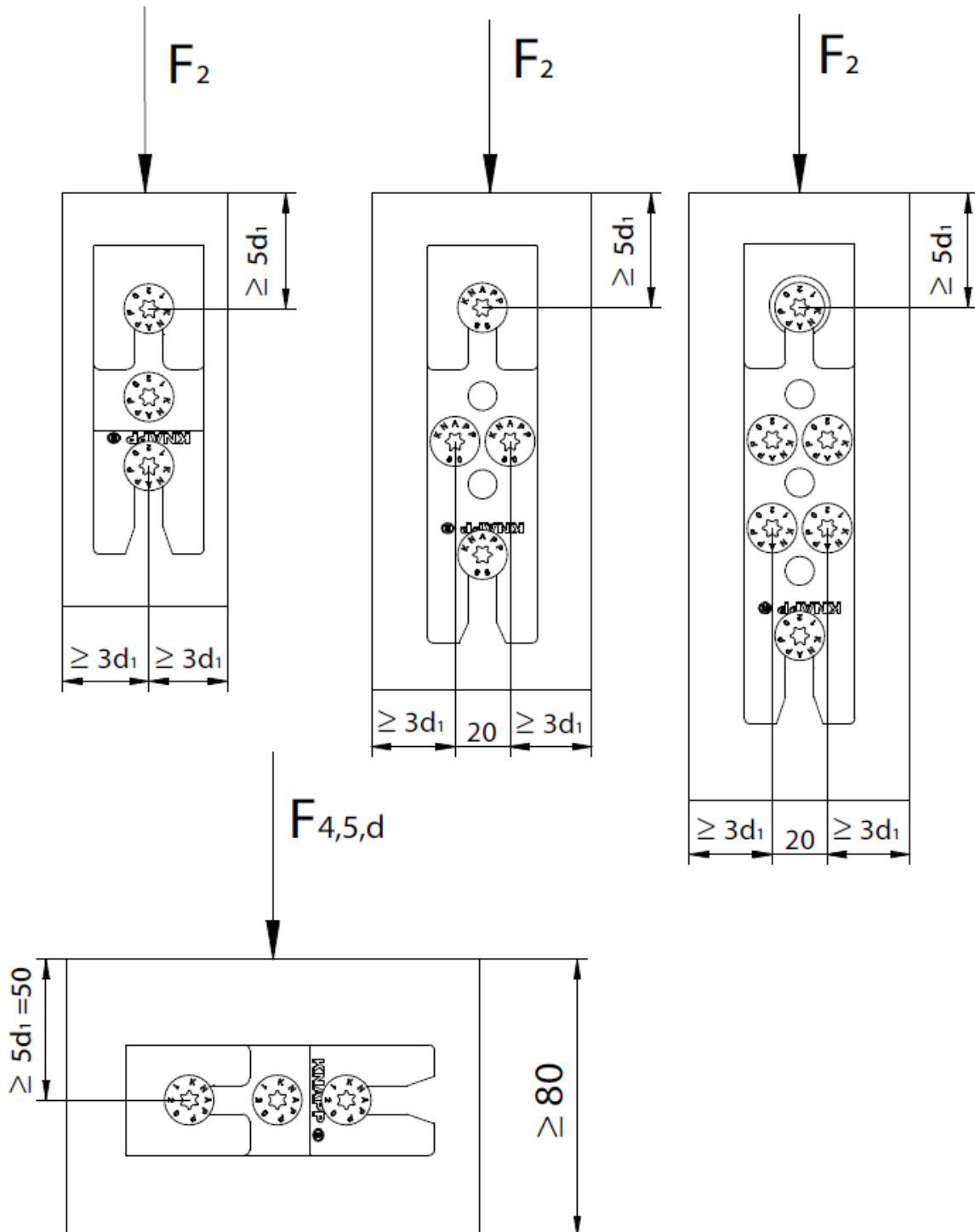
GIGANT

Joint with interlayer



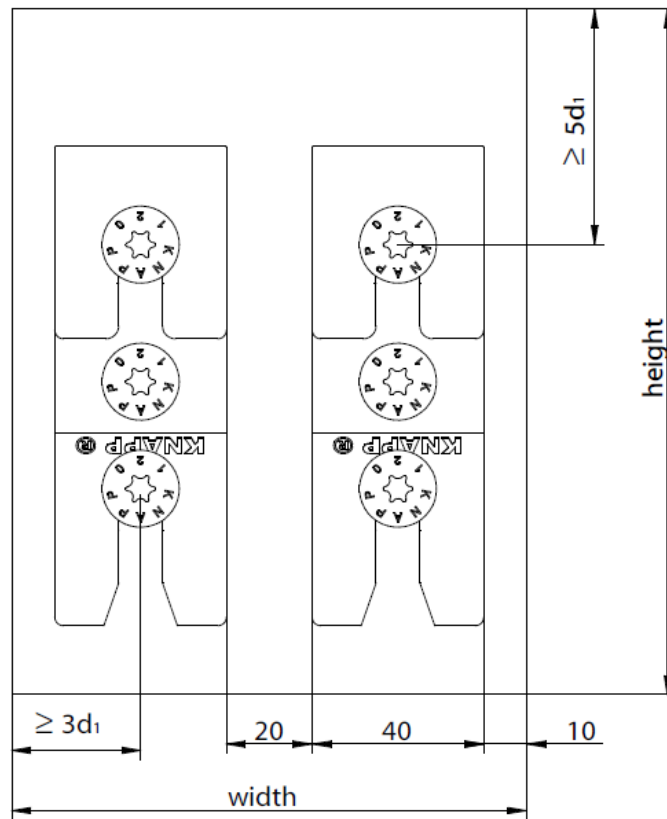
GIGANT

Minimum edge distances for joists



GIGANT

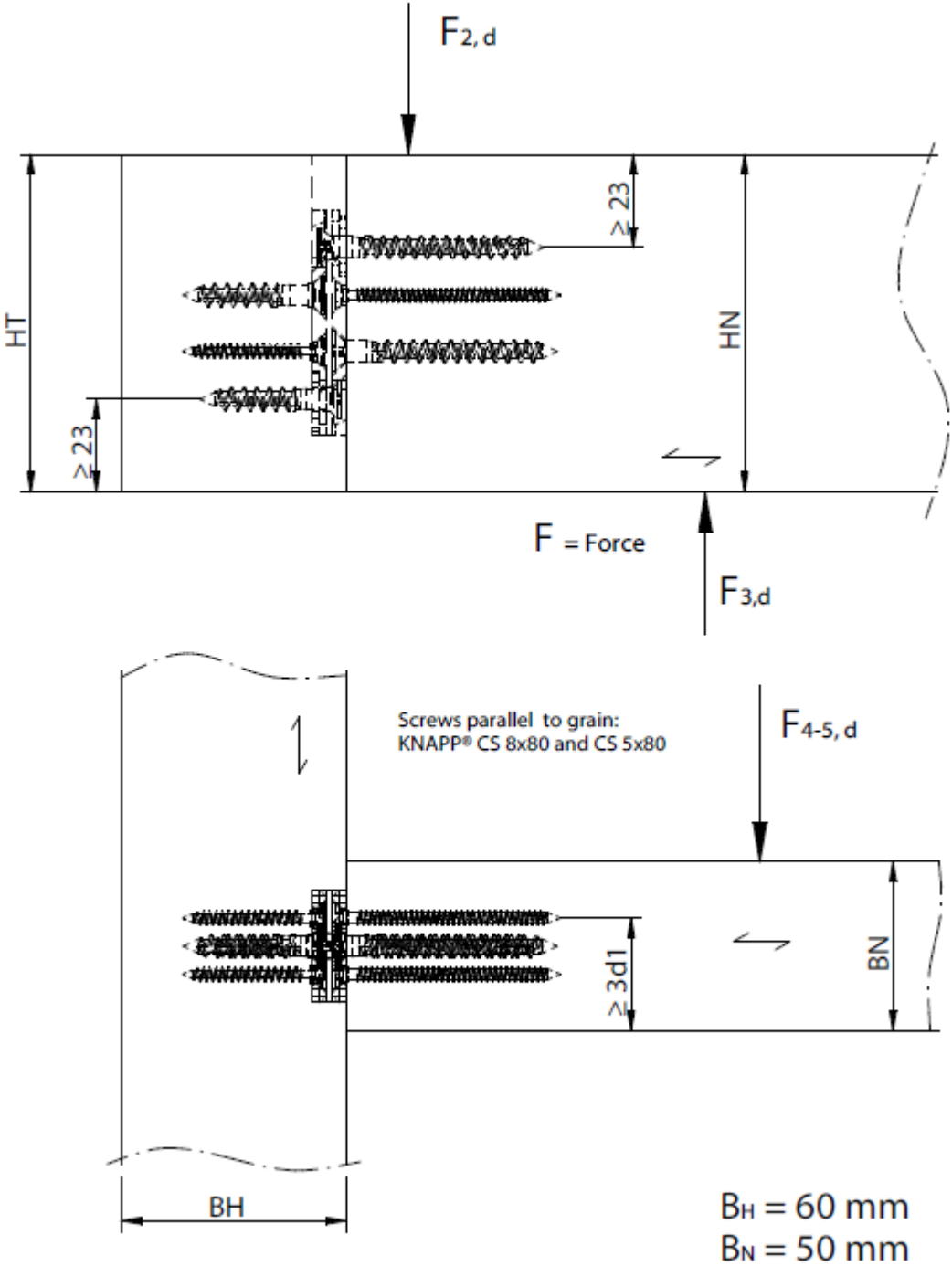
Double GIGANT connection



GIGANT		minimum cross section	
width	height	width	height
40	120	120	150
40	150	120	200
40	180	120	220

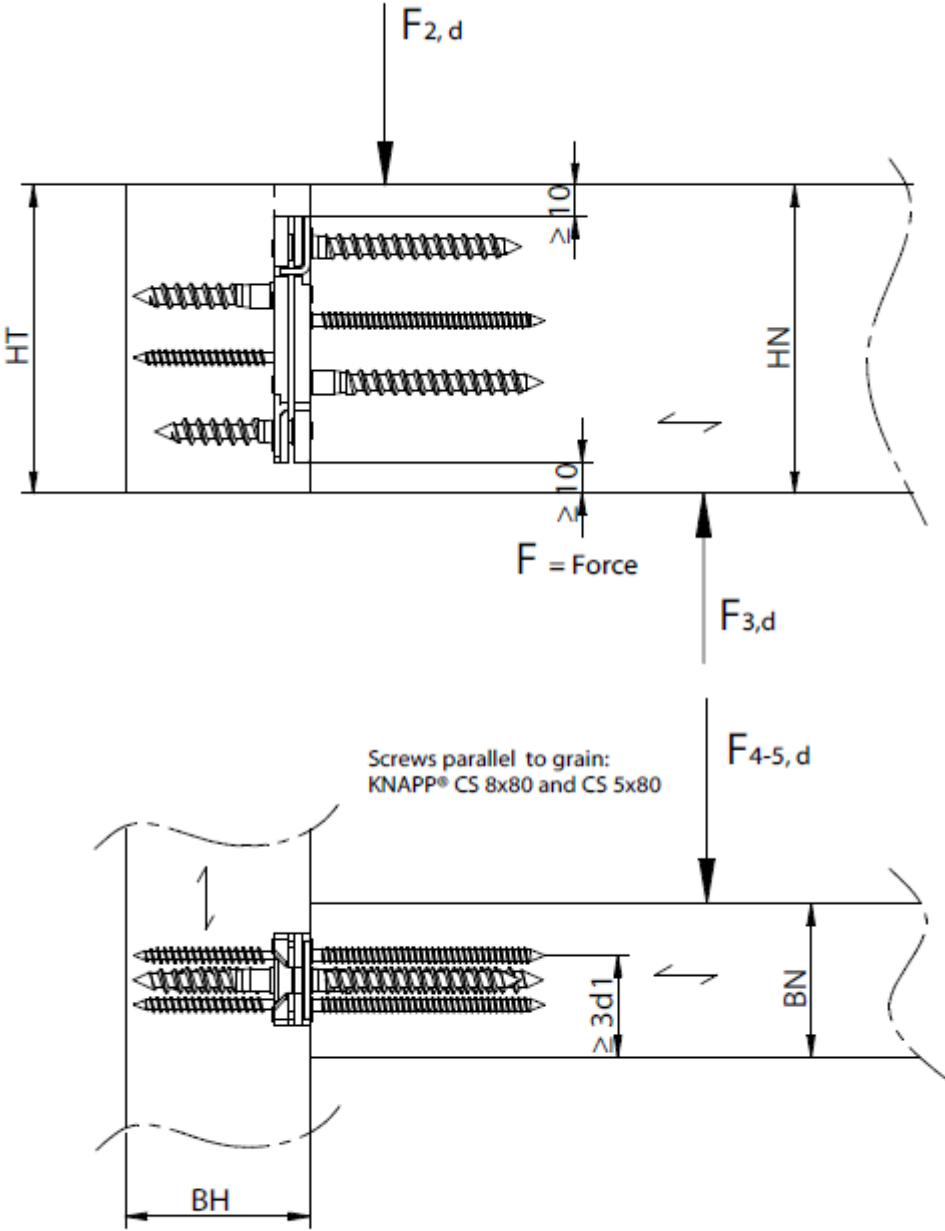
Double timber beam width of single GIGANT allows to calculate with double load $F_{2,Rd}$.

RICON® Series 40
Wood-to-wood joint – same timber depth HT=NT



RICON® Series 30

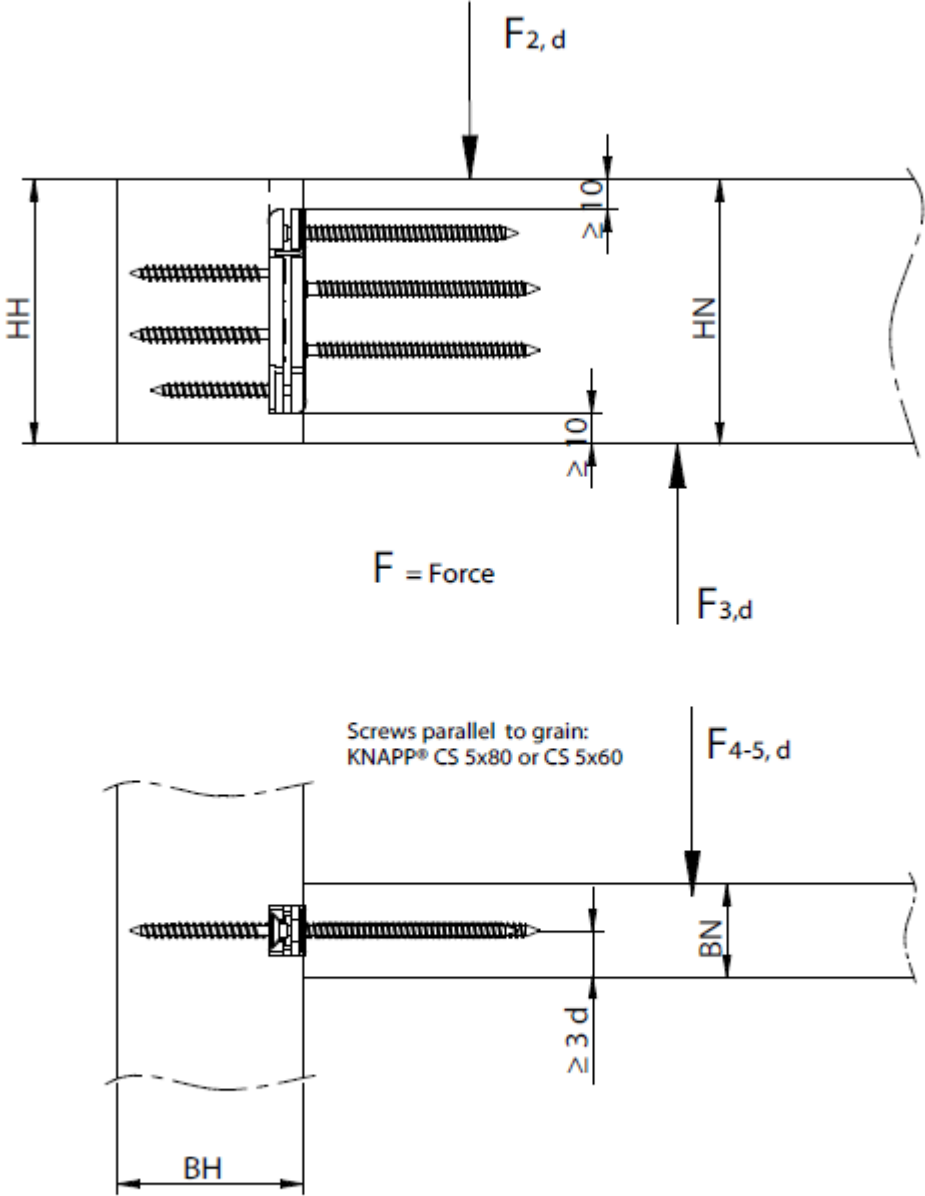
Wood-to-wood joint – same timber depth HT=NT



$B_H = 60 \text{ mm}$
 $B_N = 50 \text{ mm}$

RICON® Series 16 and 20

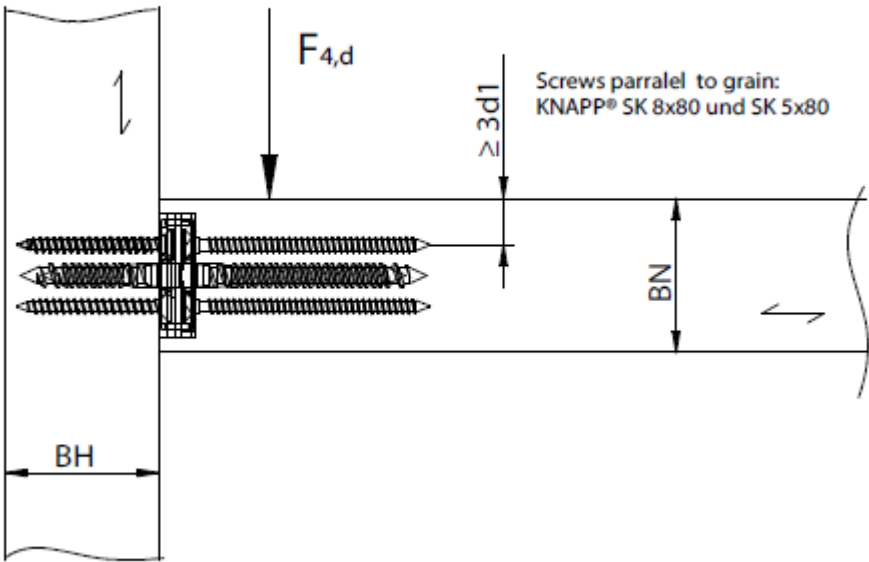
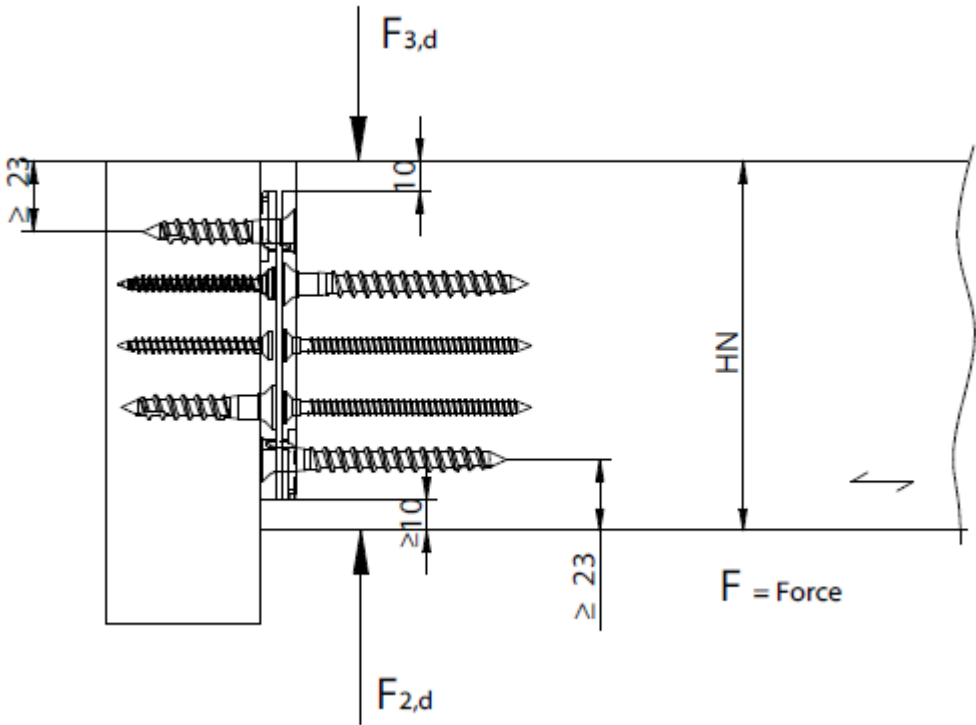
Wood-to-wood joint – same timber depth HT=NT



$B_H = 60 \text{ mm}$
 $B_N = 30 \text{ mm}$

RICON® Series 40 and 30

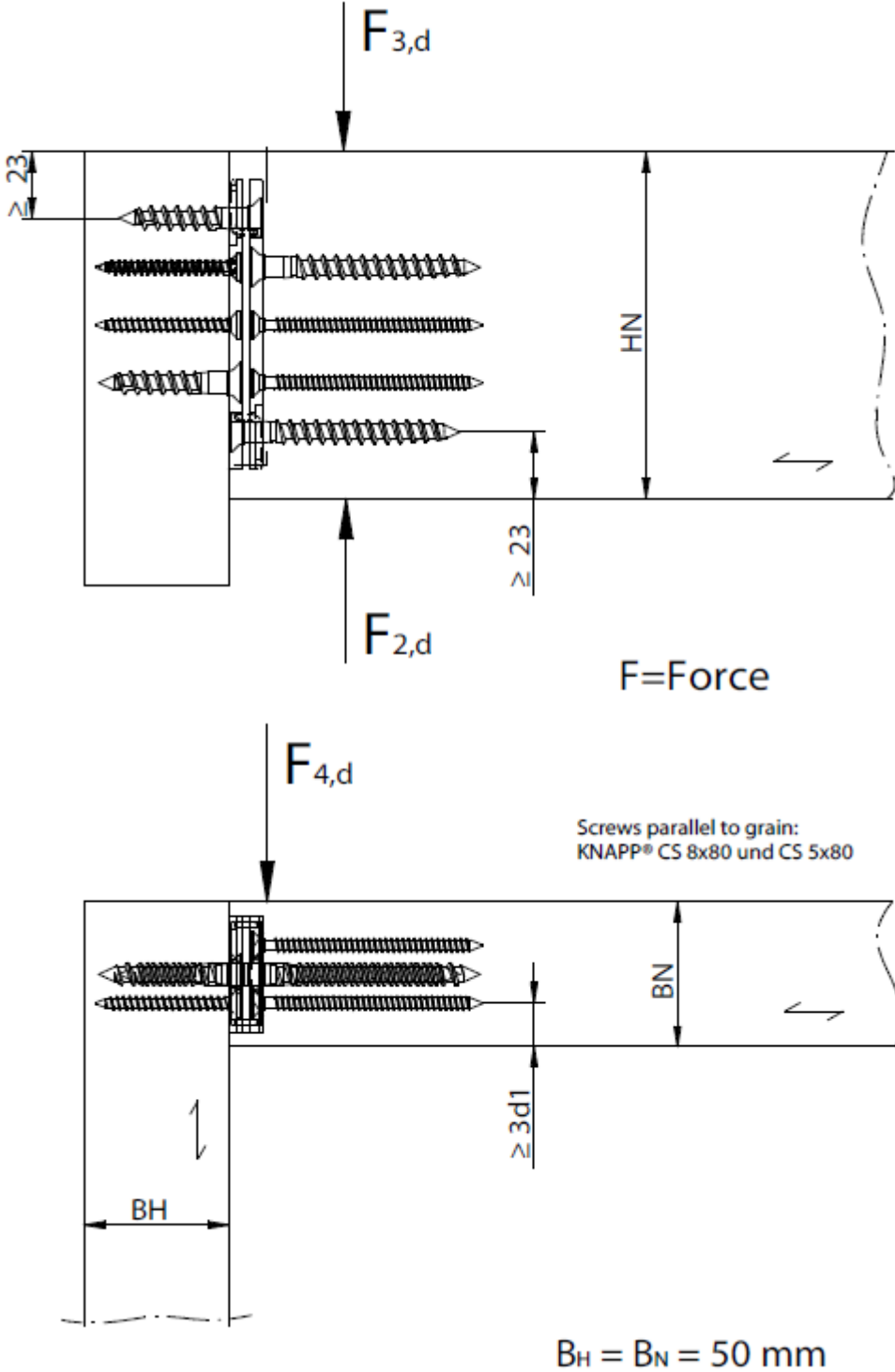
Wood-to-wood joint middle beam



$B_H = B_N = 50 \text{ mm}$

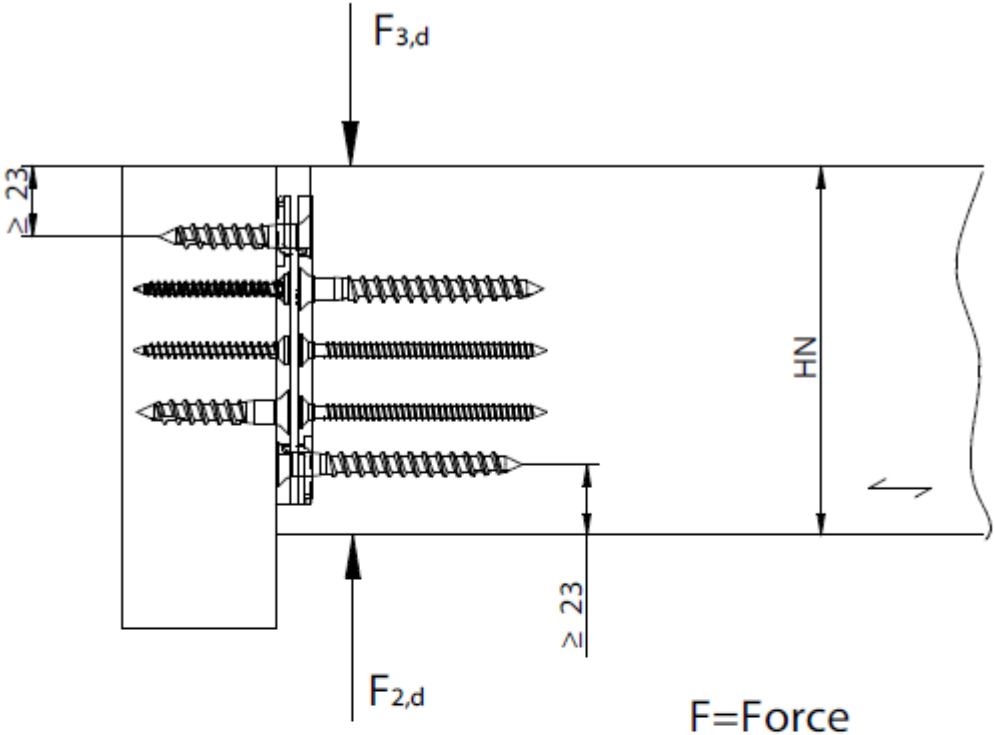
RICON®

Wood-to-wood joint upper beam

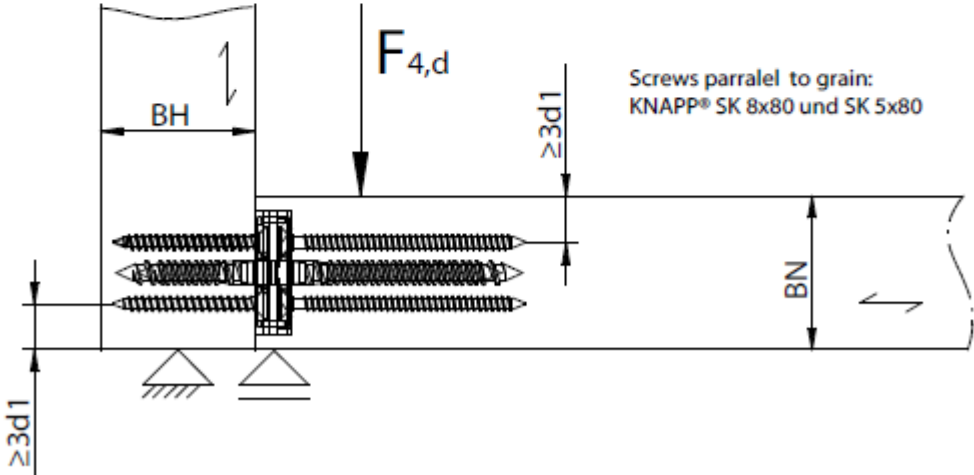


RICON®

Wood-to-wood joint bottom beam



F=Force

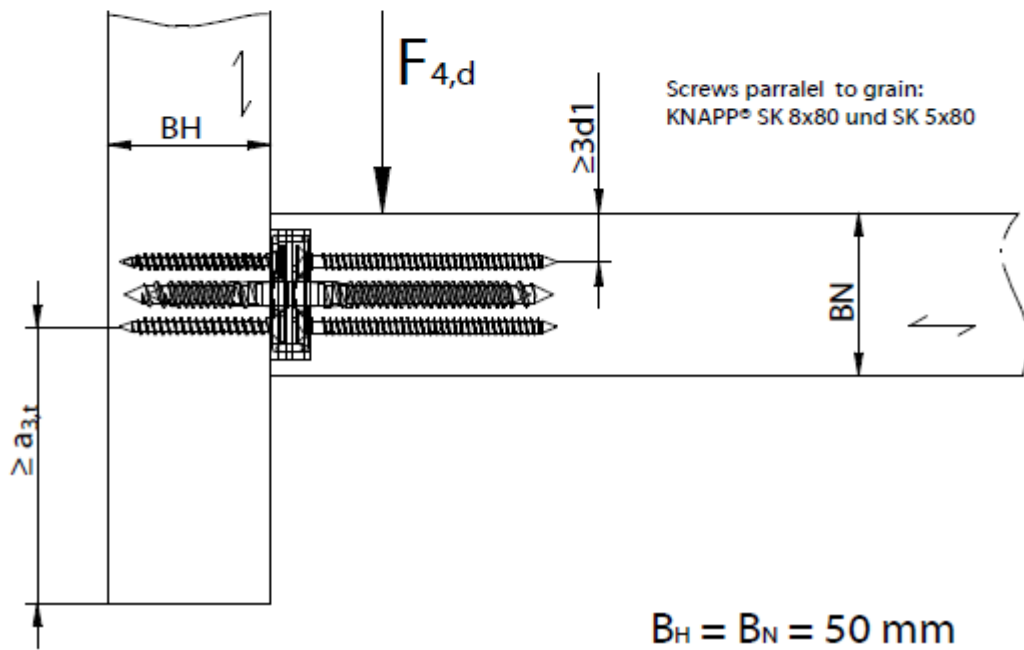
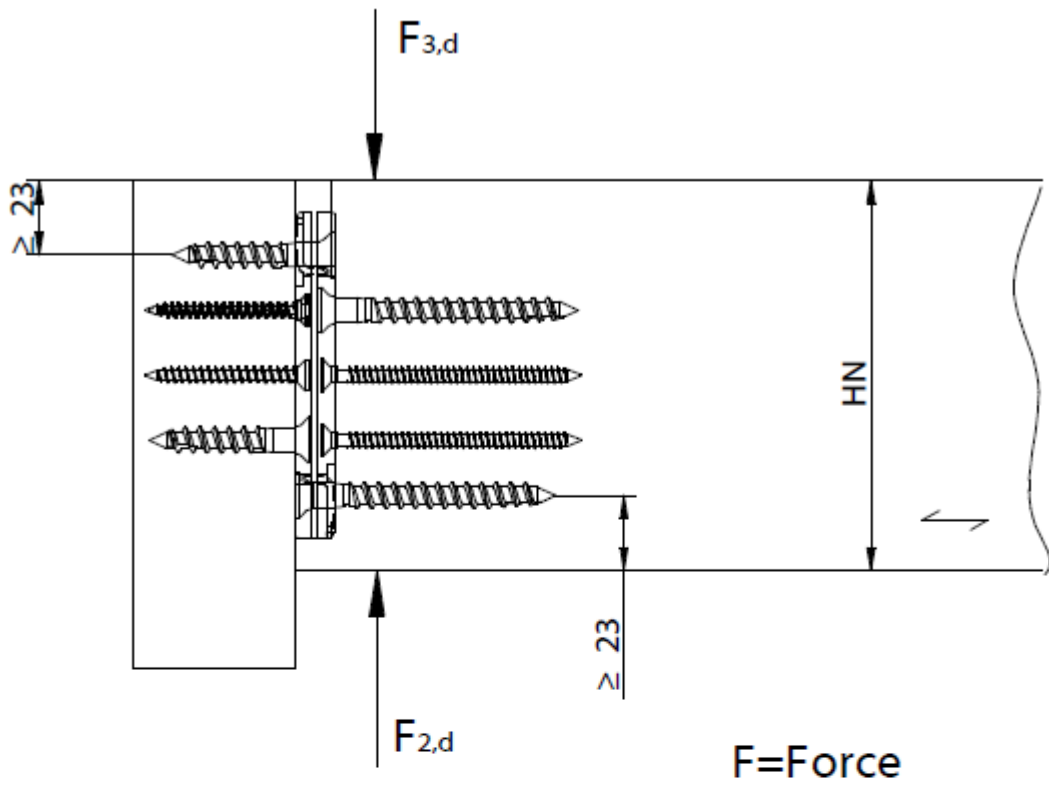


Screws parralel to grain:
KNAPP® SK 8x80 und SK 5x80

$B_H = B_N = 50 \text{ mm}$

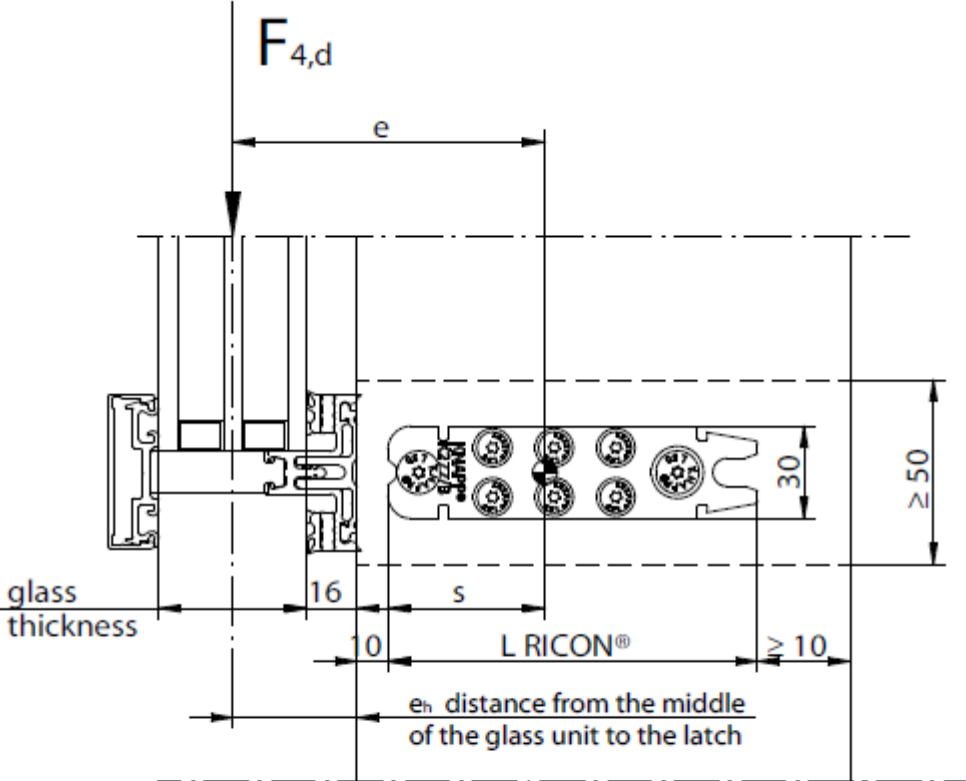
RICON®

Wood-to-wood joint bottom beam



RICON® 30 Series

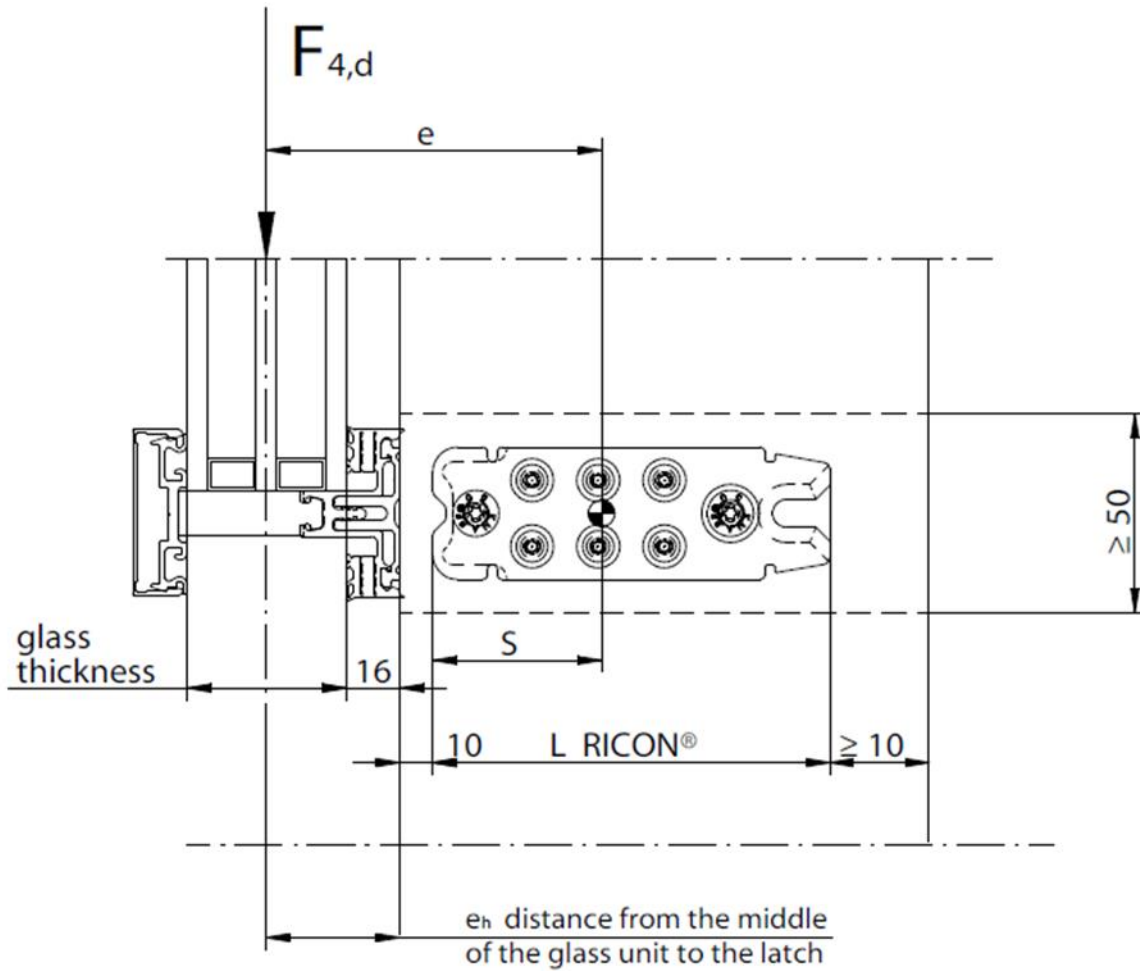
Minimum cross-section width and connector plate position requirements



Calculation of F_4 for eccentric load for glass thickness ≤ 53 mm: see formular B.1.5. ($e_h \leq 42,5$ mm)

RICON® 40 Series

Minimum cross-section width and connector plate position requirements



Calculation of F_4 for eccentric load for glass thickness ≤ 53 mm: see formular B.1.5.
($e_h \leq 42,5$ mm)

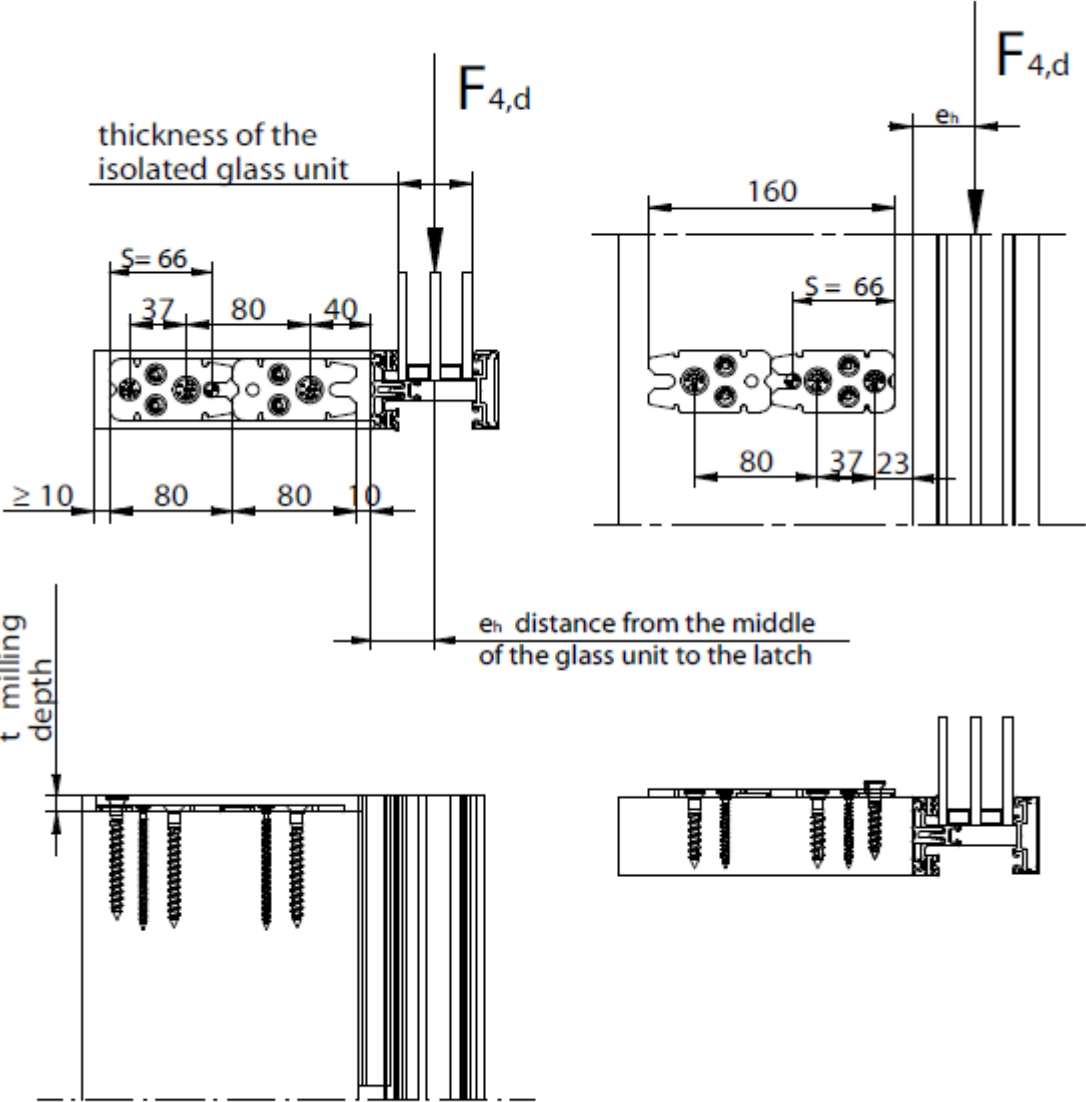
Calculation of F_4 for eccentric load for glass thickness > 53 mm:

$$F_{4, \text{eccentric}} = k_e \cdot F_{4, \text{centric}} \quad k_e = \frac{1}{1 + e \cdot k_{\text{eccentric}}}$$

RICON®	single joint						double joints				
	60/40	80/40	100/40	120/40	140/40	160/40	80/40	100/40	120/40	140/40	160/40
$k_{\text{eccentric}}$	0,108	0,069	0,054	0,045	0,038	0,034	0,03	0,024	0,02	0,018	0,016
S	21	31	41	51	61	71	66	87	110	130	150

RICON®

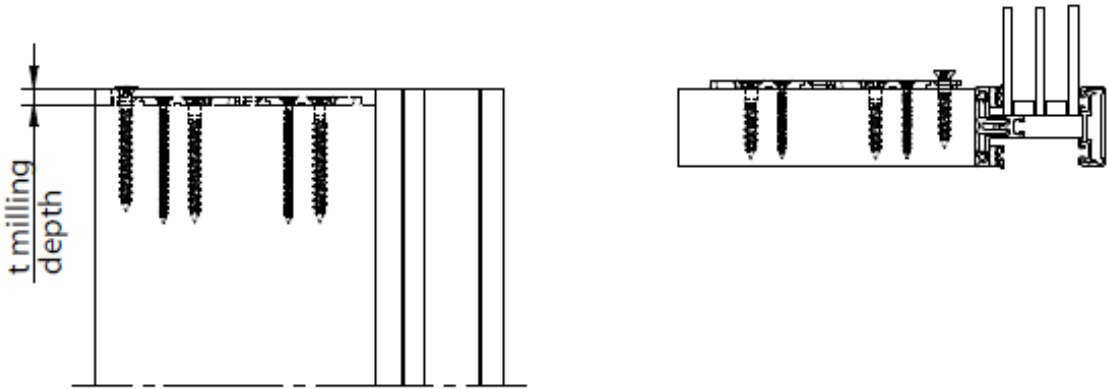
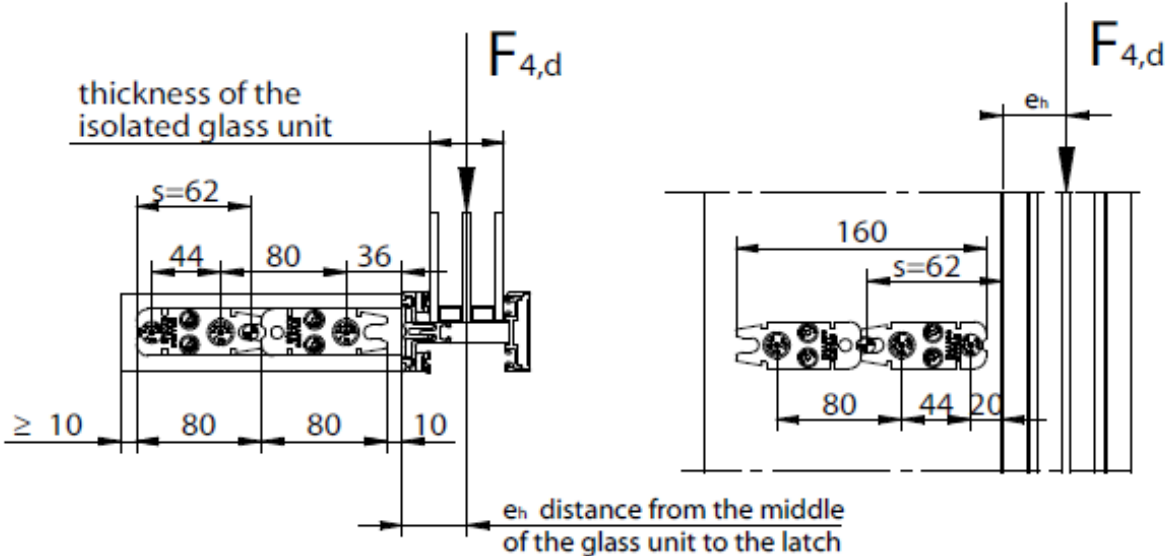
2x RICON® 80/40 EA in series



Calculation of $F_{4,d}$ see: page xxx (single RICON®)

RICON®

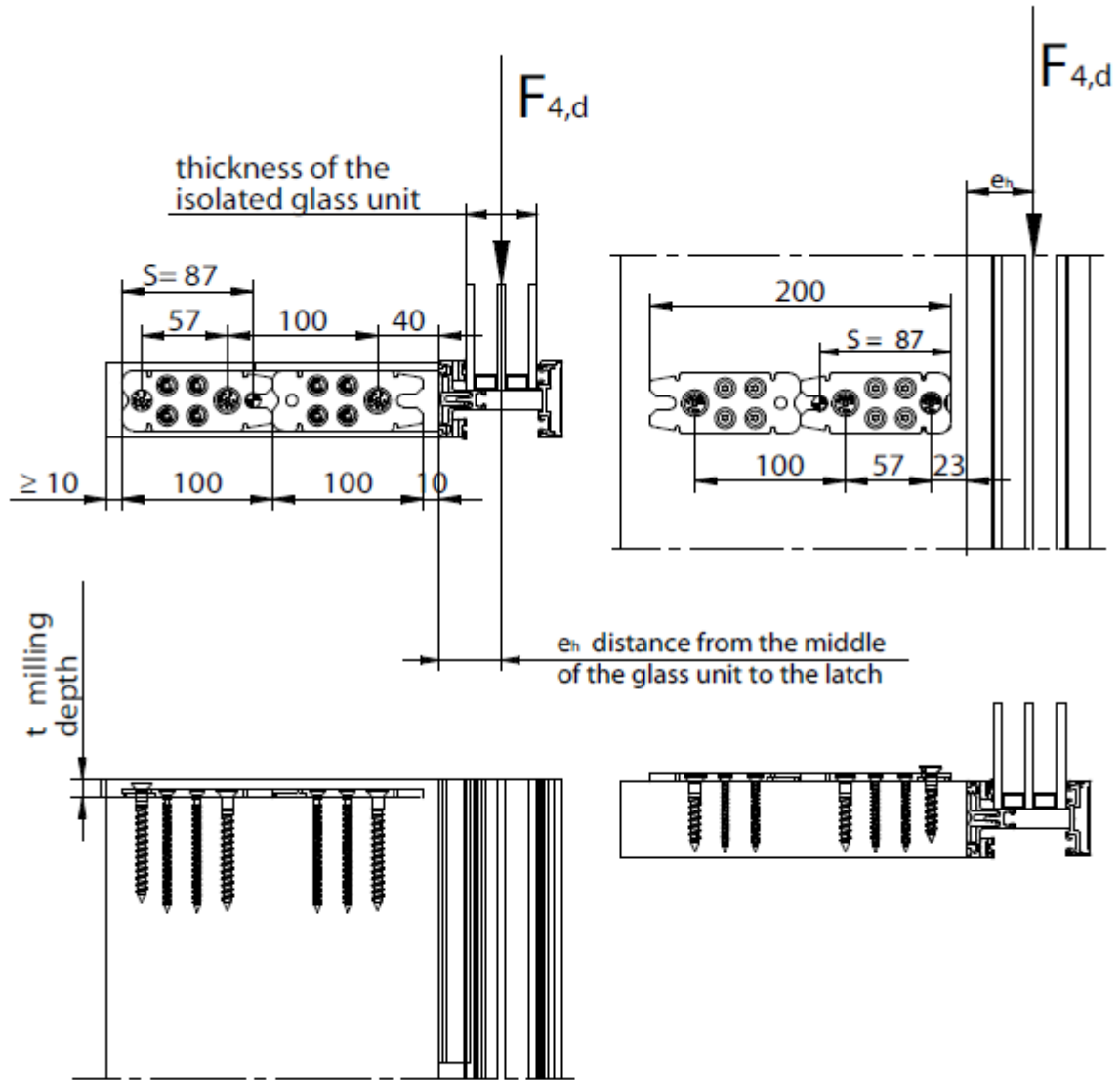
2x RICON® 80/30 EA in series



Calculation of $F_{4,d}$ see: page xxx (single RICON®)

RICON®

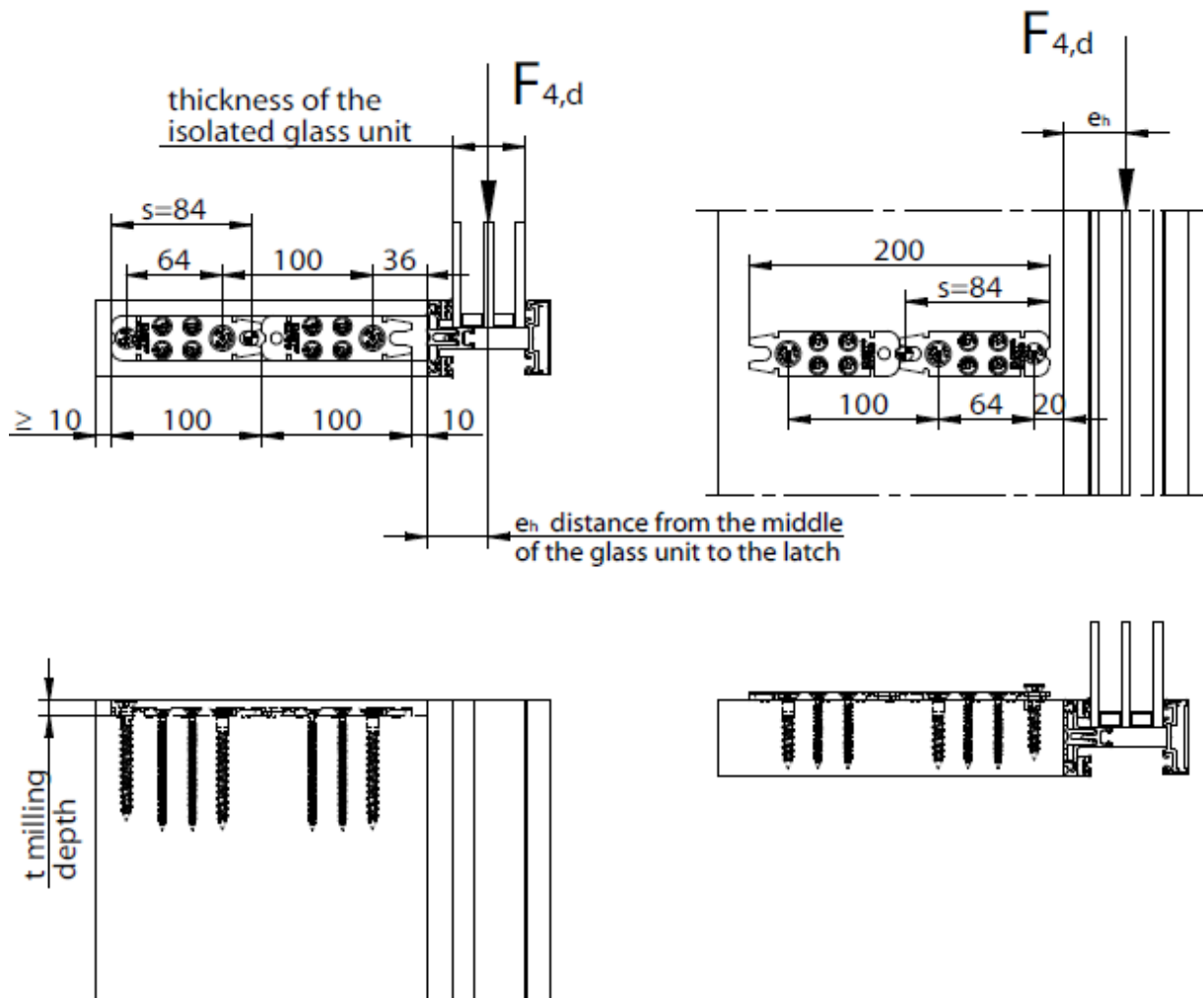
2x RICON® 100/40 EA in series



Calculation of $F_{4,d}$ see: page xxx (single RICON®)

RICON®

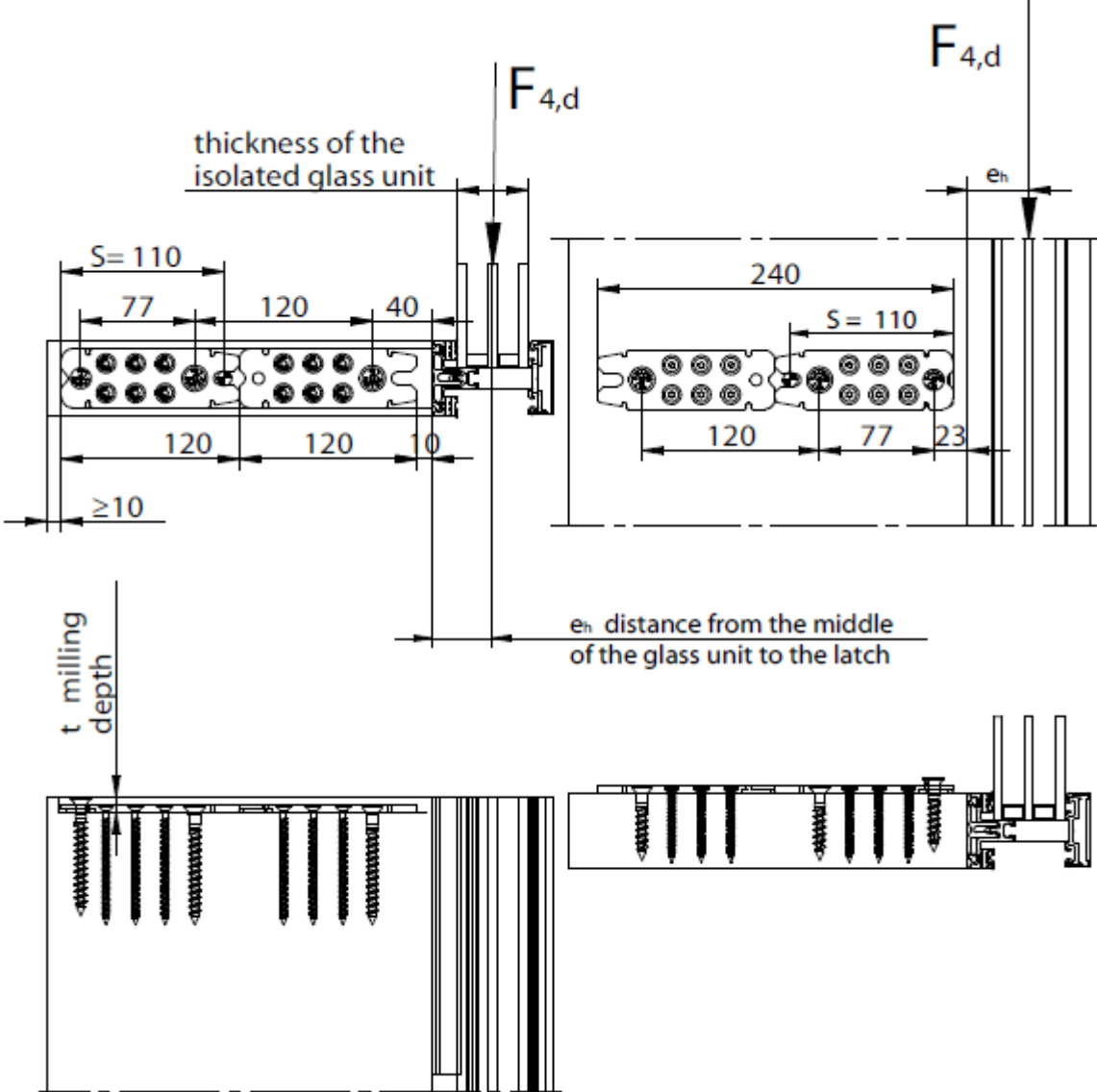
2x RICON® 100/30 EA in series



Calculation of $F_{4,d}$ see: page xxx (single RICON®)

RICON®

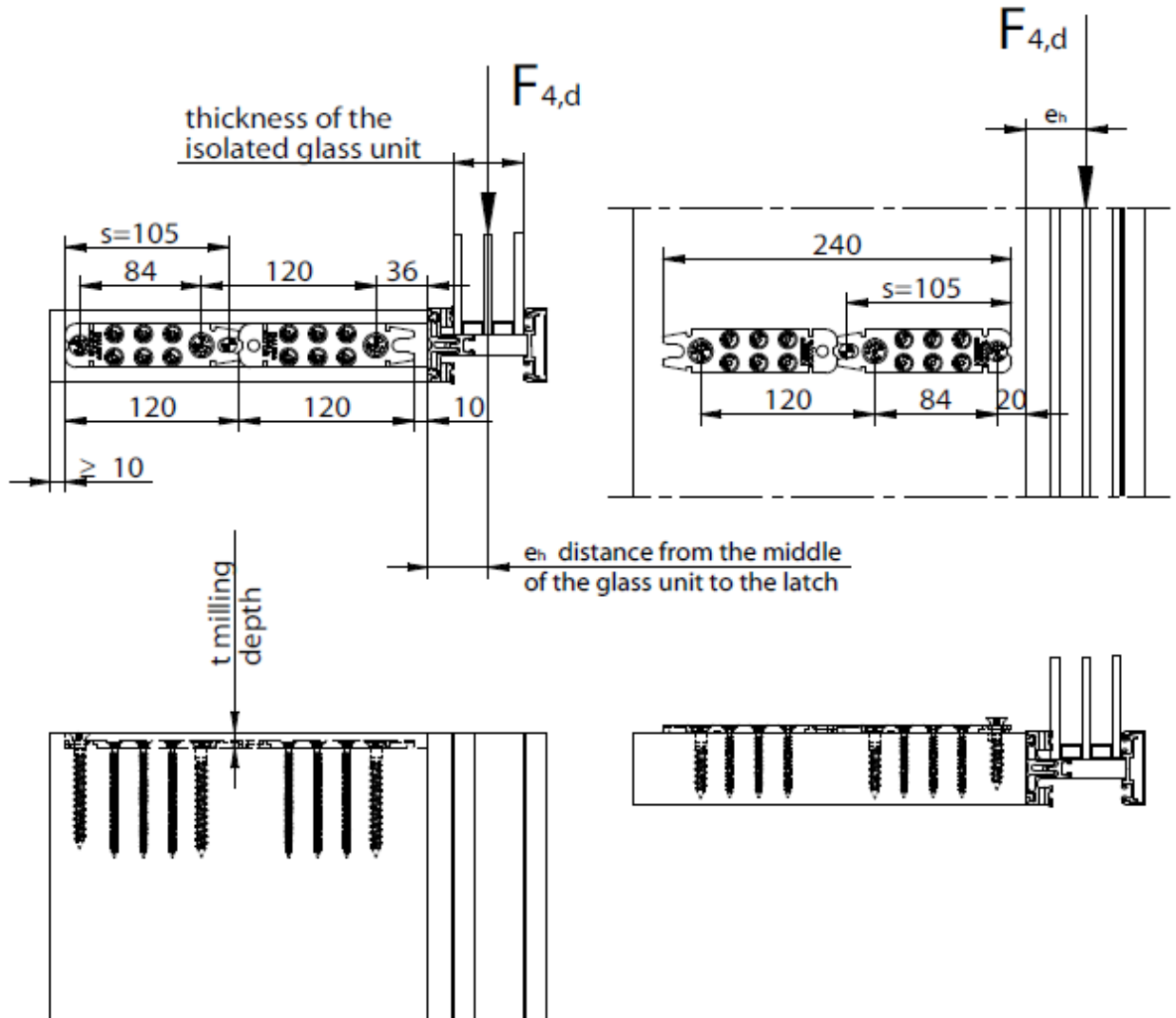
2x RICON® 120/40 EA in series



Calculation of $F_{4,d}$ see: page xxx (single RICON®)

RICON®

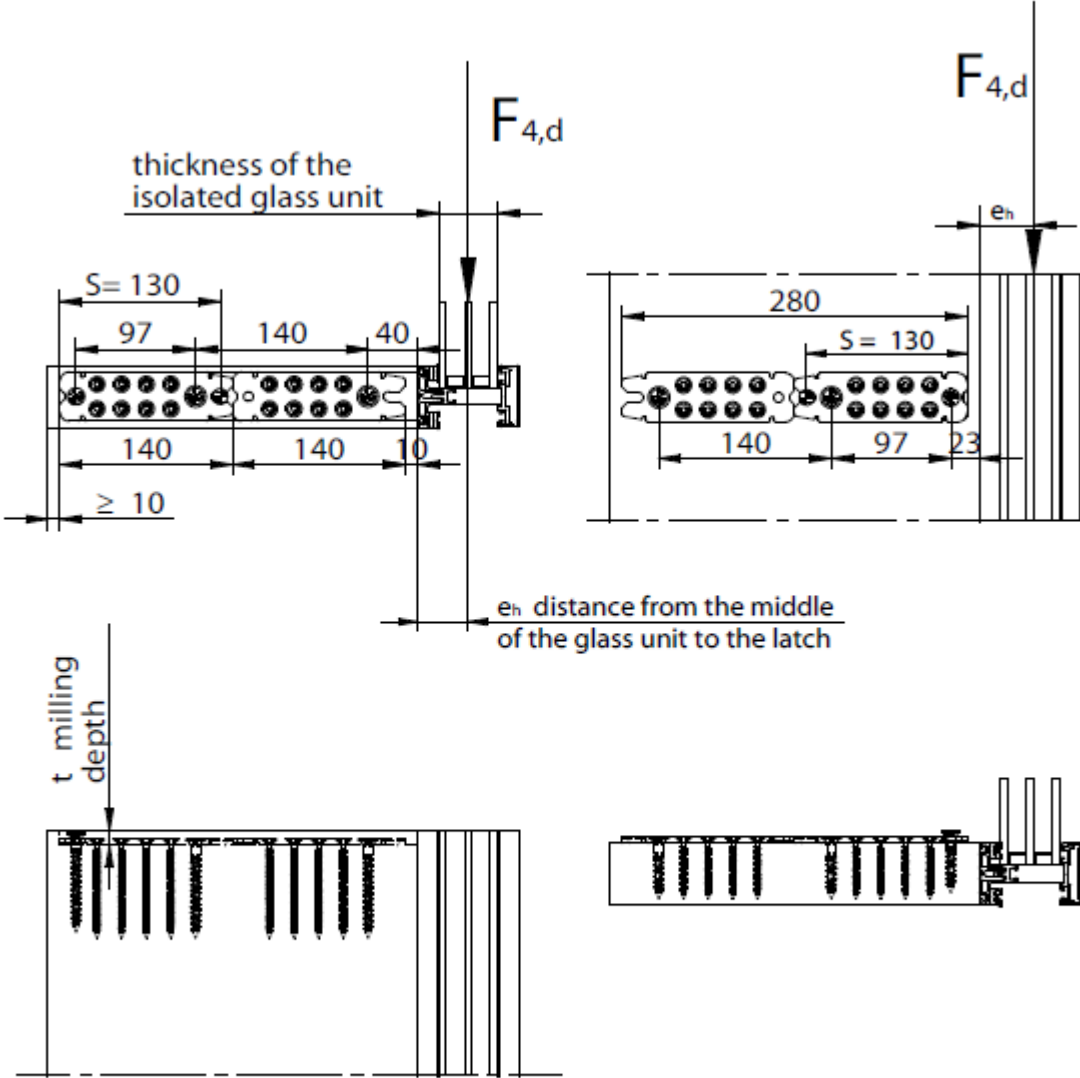
2x RICON® 120/30 EA in series



Calculation of $F_{4,d}$ see: page xxx (single RICON®)

RICON®

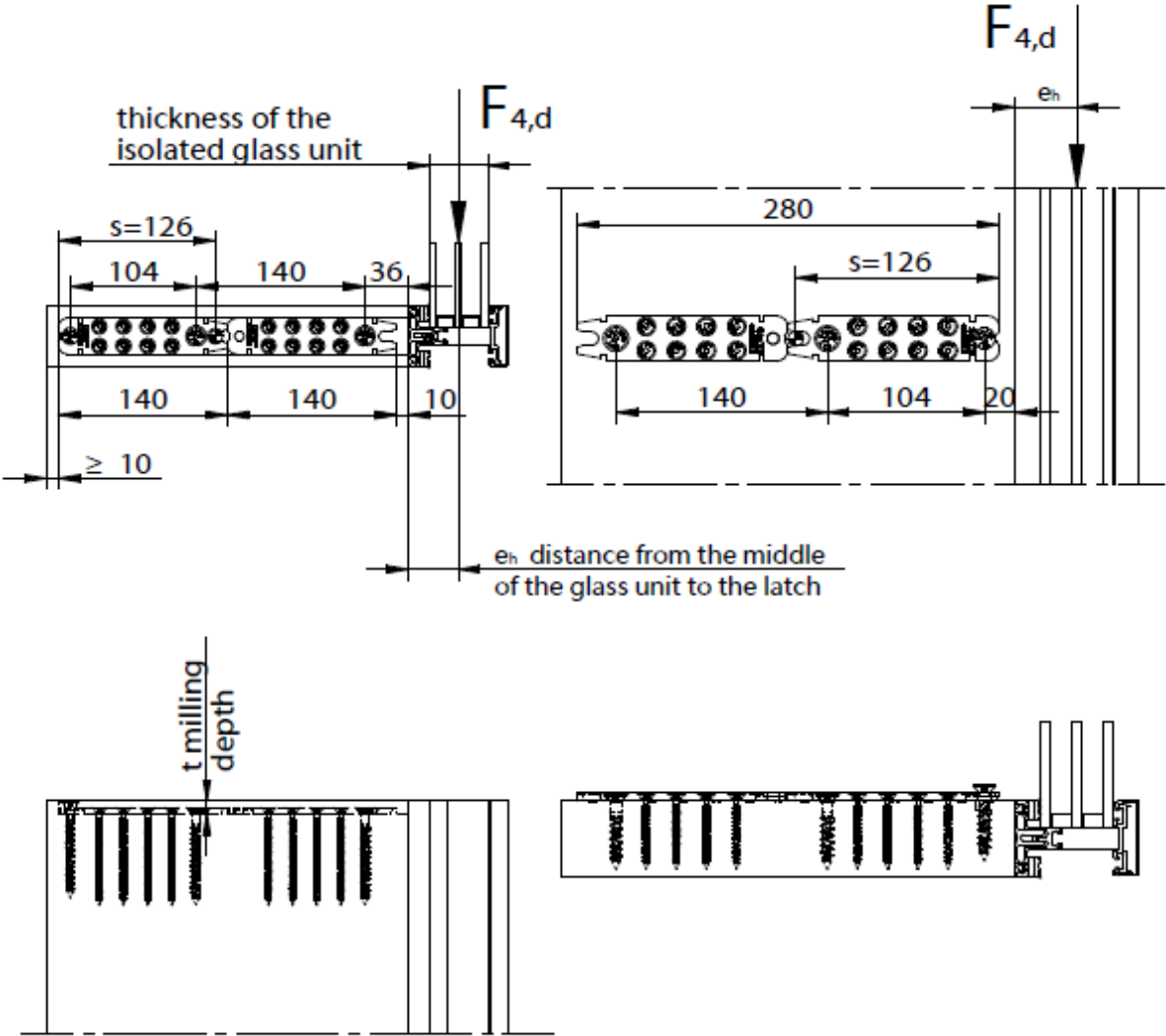
2x RICON® 140/40 EA in series



Calculation of $F_{4,d}$ see: page xxx (single RICON®)

RICON®

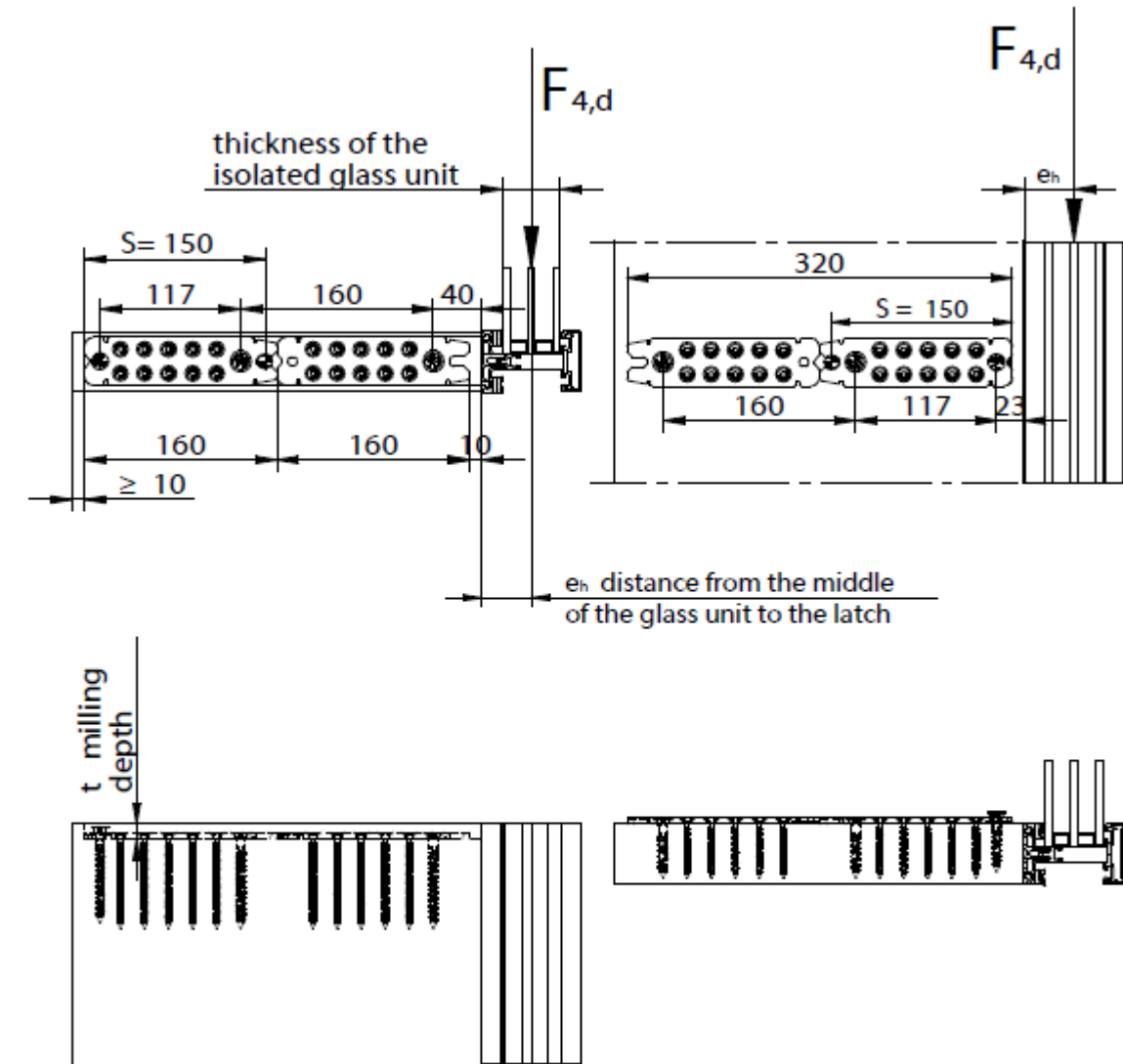
2x RICON® 140/30 EA in series



Calculation of $F_{4,d}$ see: page xxx (single RICON®)

RICON®

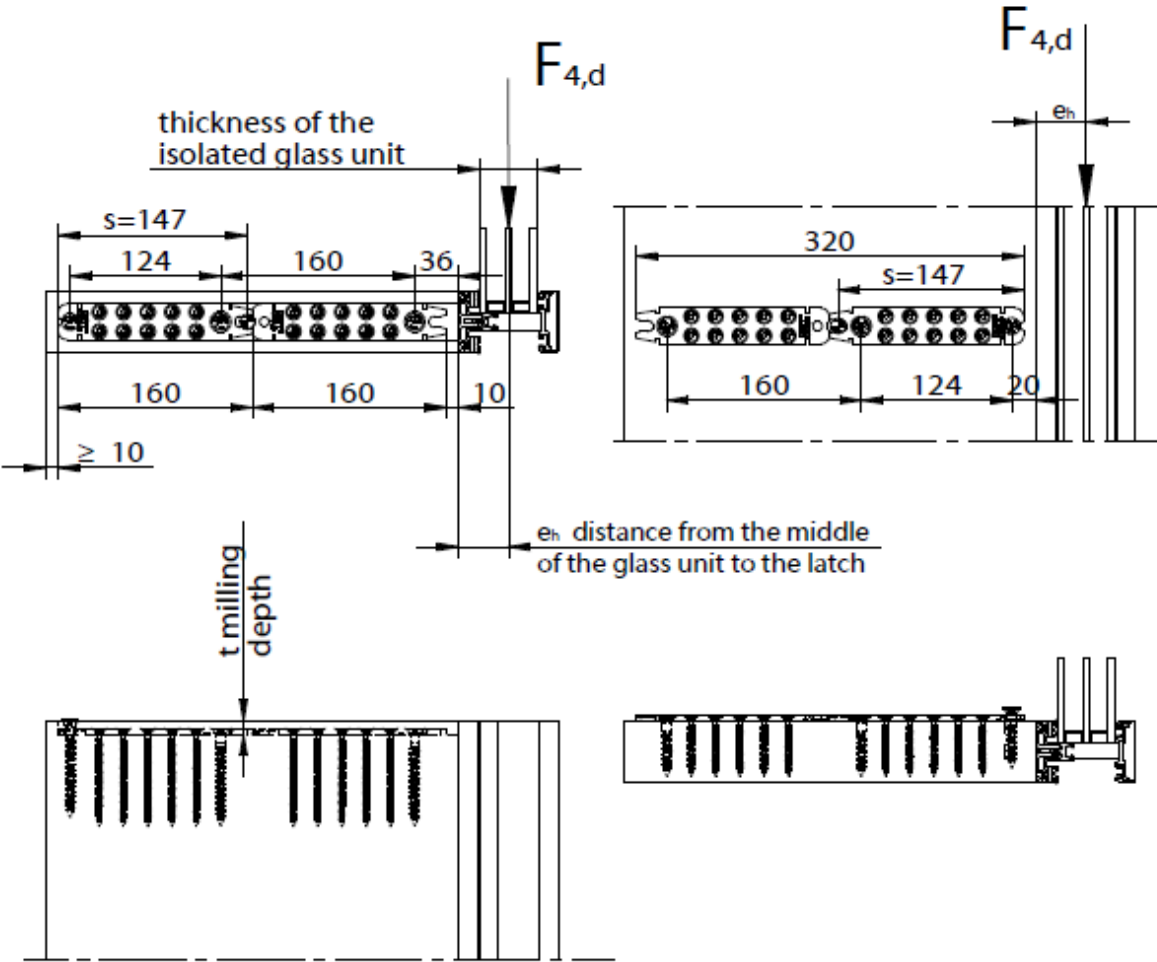
2x RICON® 160/40 EA in series



Calculation of $F_{4,d}$ see: page xxx (single RICON®)

RICON®

2x RICON® 160/30 EA in series

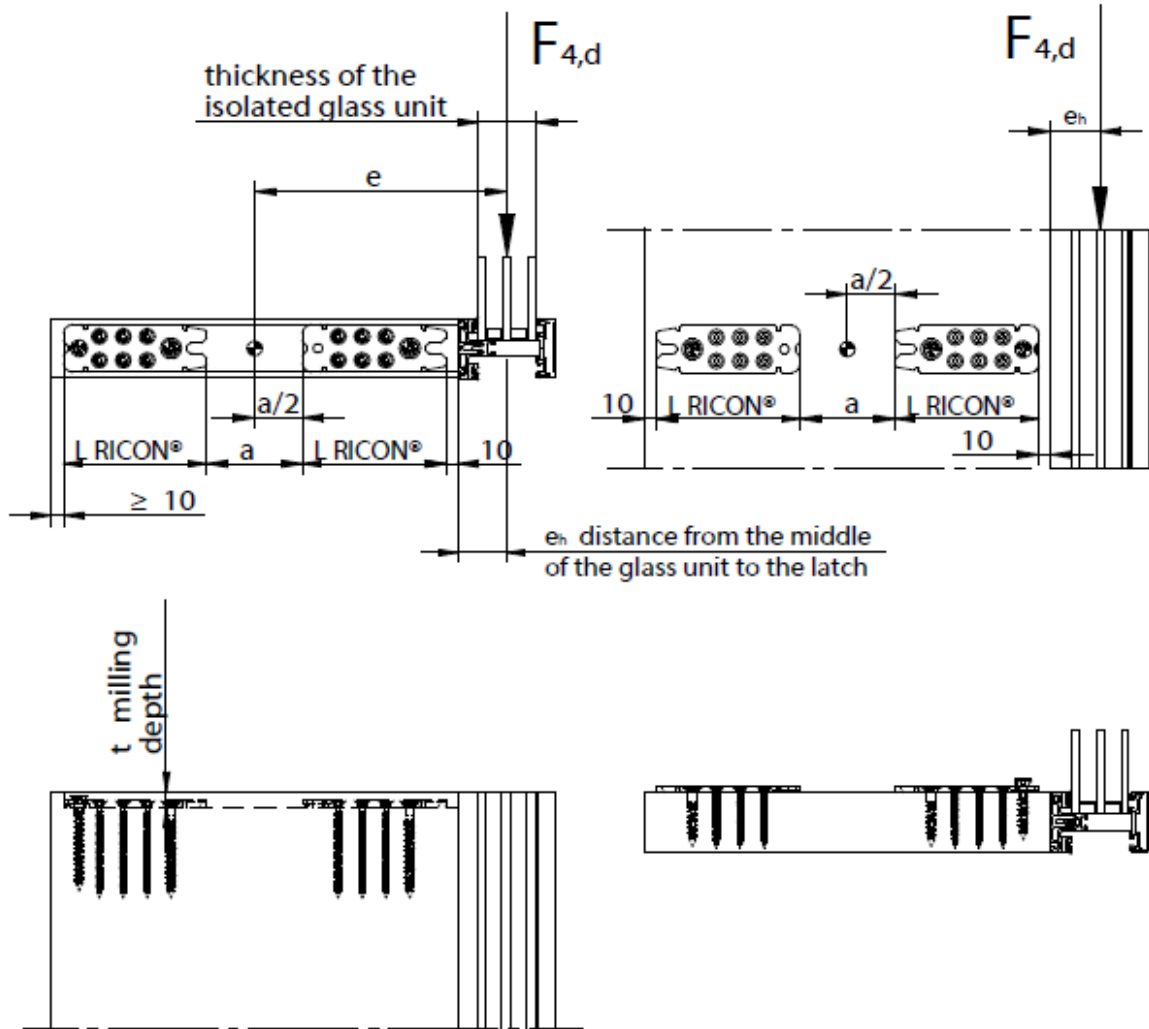


Calculation of $F_{4,d}$ see: page xxx (single RICON®)

RICON®

2x RICON® in series with distance

Series 30 and 40

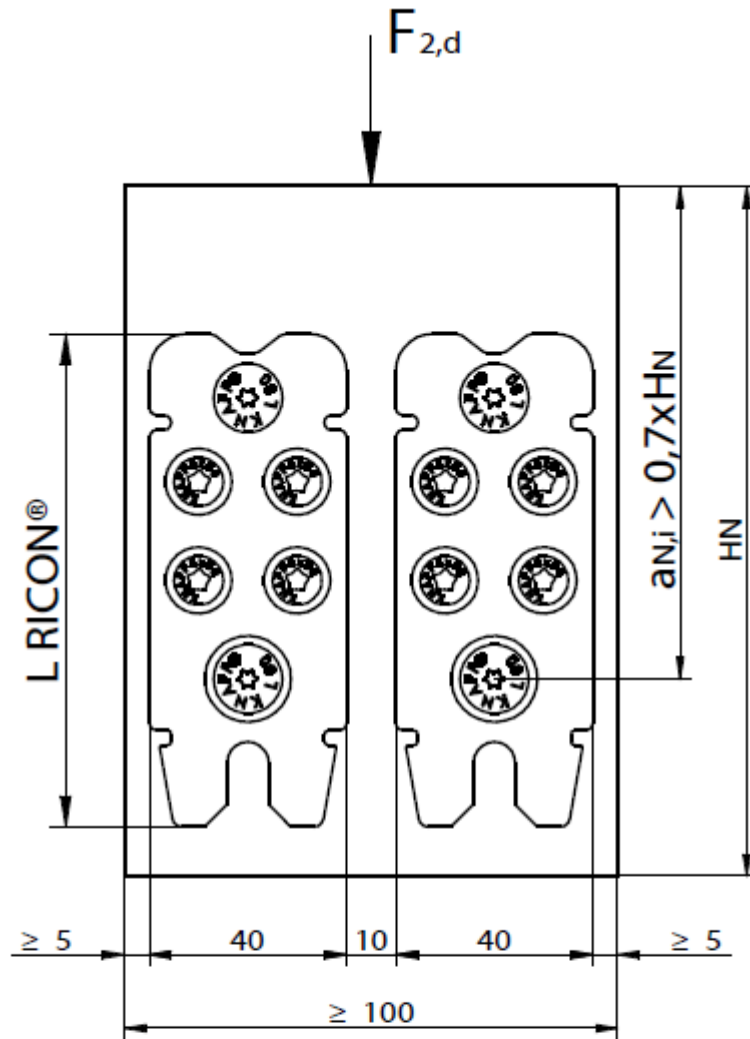


Calculation of $F_{4,d}$ see: page xxx (single RICON®)

For double RICON® in series with distance $a/2$ has to be added to the value for double joints without distance.

RICON® Series 40

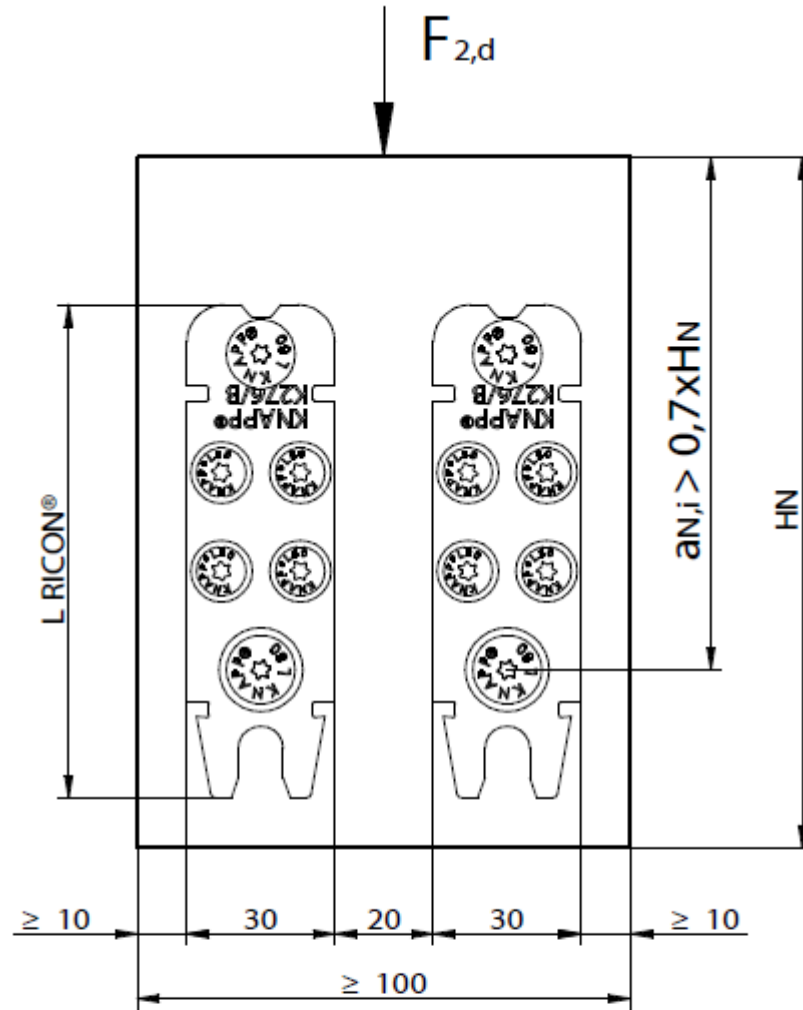
Double RICON® connection



RICON® sizes		minimum cross section	
width	height	width	height
40	60	100	100
40	80	100	120
40	100	100	140
40	120	100	140
40	140	100	160
40	160	100	180

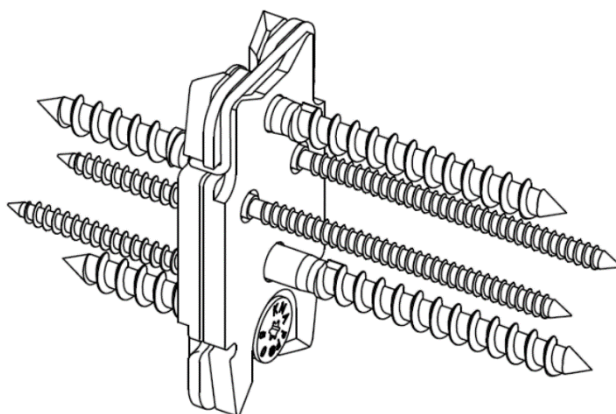
RICON® Series 30

Double RICON® connection



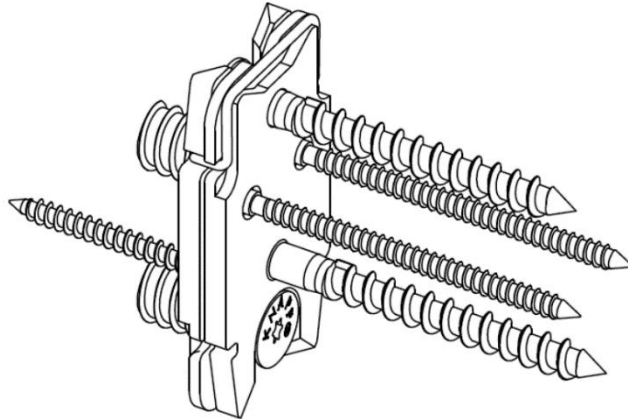
RICON® sizes		minimum cross section	
width	height	width	height
30	60	100	100
30	80	100	120
30	100	100	140
30	120	100	140
30	140	100	160
30	160	100	180

RICON®
RICON® single connection (EA) for wood-to-wood joint

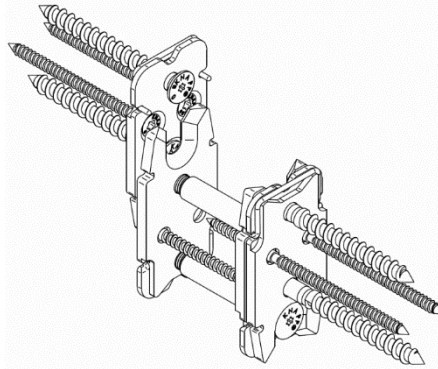


RICON Connector size (Single connection EA)	Screws header / post (Standard screwing)	Screws joist (Standard screwing)
40x40	4 CS 5x50	4 CS 5x80
60x16	3 CS 5x50	3 CS 5x80
70x20	3 CS 5x50	3 CS 5x80
60x30; 60x40	1 CS 8x50, 2 CS 5x50	1 CS 8x80, 2 CS 5x80
80x30; 80x40	2 CS 8x50, 2 CS 5x50	2 CS 8x80, 2 CS 5x80
100x25	2 CS 8x50, 2 CS 5x50	2 CS 8x80, 2 CS 5x80
100x30; 100x40	2 CS 8x50, 4 CS 5x50	2 CS 8x80, 4 CS 5x80
120x25	2 CS 8x50, 3 CS 5x50	2 CS 8x80, 3 CS 5x80
120x30; 120x40	2 CS 8x50, 6 CS 5x50	2 CS 8x80, 6 CS 5x80
140x25	2 CS 8x50, 3 CS 5x50	2 CS 8x80, 3 CS 5x80
140x30; 140x40	2 CS 8x50, 8 CS 5x50	2 CS 8x80, 8 CS 5x80
160x25	2 CS 8x50, 4 CS 5x50	2 CS 8x80, 4 CS 5x80
160x30; 160x40	2 CS 8x50, 10 CS 5x50	2 CS 8x80, 10 CS 5x80

RICON®
RICON® single-double connection (EAR) for wood-to-wood joint



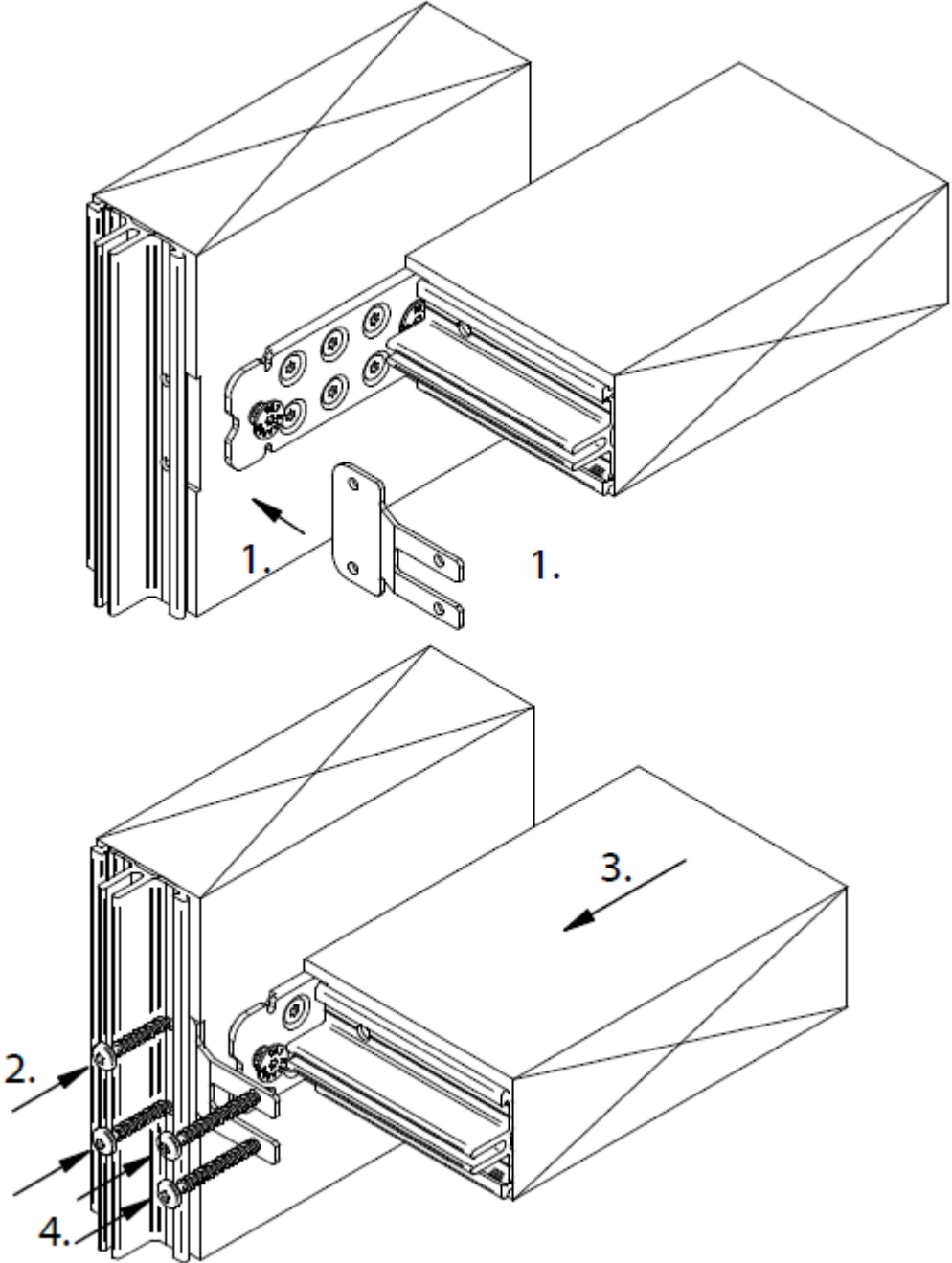
RICON Connector size (Single-double connection EAR)	Screws header / post (Standard screwing)	Screws joist (Standard screwing)
60x16	3 CS M5x20 / Insert screw M5x14	3 CS 5x80
70x20	3 CS M5x20 / Insert screw M5x14	3 CS 5x80
60x30 60x40	1 CS M8x25 / Insert screw M8x18 2 CS M5x20 / Insert screw M5x14	1 CS 8x80, 2 CS 5x80
80x30 80x40	2 CS M8x25 / Insert screw M8x18 1 CS 5x50	2 CS 8x80, 2 CS 5x80
100x25	2 CS M8x25 / Insert screw M8x18 2CS 5x50	2 CS 8x80, 2 CS 5x80
100x30 100x40	2 CS M8x25 / Insert screw M8x18 2CS 5x50	2 CS 8x80, 4 CS 5x80
120x25	2 CS M8x25 / Insert screw M8x18 3CS 5x50	2 CS 8x80, 3 CS 5x80
120x30 120x40	2 CS M8x25 / Insert screw M8x18 3 CS 5x50	2 CS 8x80, 6 CS 5x80
140x25	2 CS M8x25 / Insert screw M8x18 3CS 5x50	2 CS 8x80, 3 CS 5x80
140x30 140x40	2 CS M8x25 / Insert screw M8x18 4 CS 5x50	2 CS 8x80, 8 CS 5x80
160x25	2 CS M8x25 / Insert screw M8x18 4 CS 5x50	2 CS 8x80, 4 CS 5x80
160x30 160x40	2 CS M8x25 / Insert screw M8x18 5 CS 5x50	2 CS 8x80, 10 CS 5x80

RICON®**RICON® double connection (DA) for wood-to-wood joint with connecting nut (CN)**

RICON Connector size (Double connection DA)	Screws header / post (Standard screwing)	Screws joist (Standard screwing)
40x40	4 CS M5x16 / 4 CN M5xL	4 CS 5x80
60x16	6 CS M5x16 / 3 CN M5xL	6 CS 5x80
70x20	6 CS M5x16 / 3 CN M5xL	6 CS 5x80
60x30	2 CS M8x18 / 1 CN M8xL 4 CS M5x16 / 2 CN M5xL	2 CS 8x80, 4 CS 5x80
60x40	2 CS M8x25 / 1 CN M8xL 4 CS M5x20 / 2 CN M5xL	2 CS 8x80, 4 CS 5x80
80x30	4 CS M8x18 / 2 CN M8xL 2 CS 5x50	4 CS 8x80, 4 CS 5x80
80x40	4 CS M8x25 / 2 CN M8xL 2 CS 5x50	4 CS 8x80, 4 CS 5x80
100x25	4 CS M8x18 / 2 CN M8xL 4 CS 5x50	4 CS 8x80, 4 CS 5x80
100x30	4 CS M8x18 / 2 CN M8xL 4 CS 5x50	4 CS 8x80, 8 CS 5x80
100x40	4 CS M8x25 / 2 CN M8xL 4 CS 5x50	4 CS 8x80, 8 CS 5x80
120x25	4 CS M8x18 / 2 CN M8xL 6 CS 5x50	4 CS 8x80, 6 CS 5x80
120x30	4 CS M8x18 / 2 CN M8xL 6 CS 5x50	4 CS 8x80, 12 CS 5x80
120x40	4 CS M8x25 / 2 CN M8xL 6 CS 5x50	4 CS 8x80, 12 CS 5x80
140x25	4 CS M8x18 / 2 CN M8xL 6 CS 5x50	4 CS 8x80, 6 CS 5x80
140x30	4 CS M8x18 / 2 CN M8xL 8 CS 5x50	4 CS 8x80, 16 CS 5x80
140x40	4 CS M8x25 / 2 CN M8xL 8 CS 5x50	4 CS 8x80, 16 CS 5x80
160x25	4 CS M8x18 / 2 CN M8xL 8 CS 5x50	4 CS 8x80, 8 CS 5x80
160x30	4 CS M8x18 / 2 CN M8xL 10 CS 5x50	4 CS 8x80, 20 CS 5x80
160x40	4 CS M8x25 / 2 CN M8xL 10 CS 5x50	4 CS 8x80, 20 CS 5x80

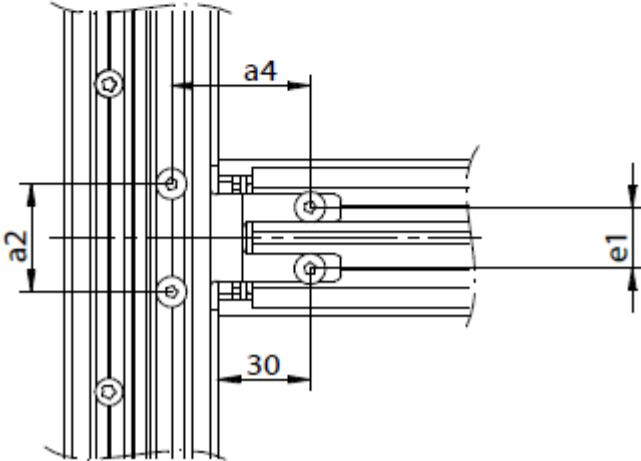
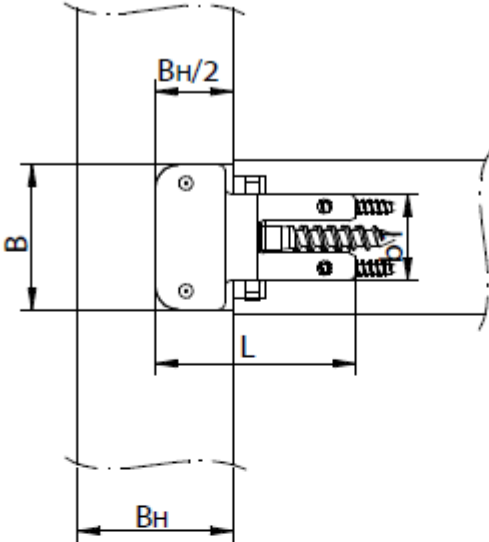
RICON®

RICON® reinforcing plate installation process



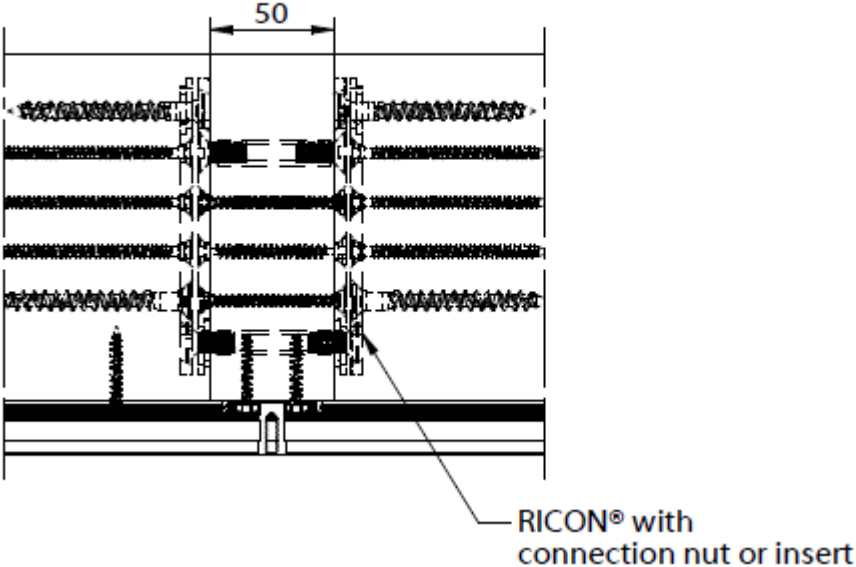
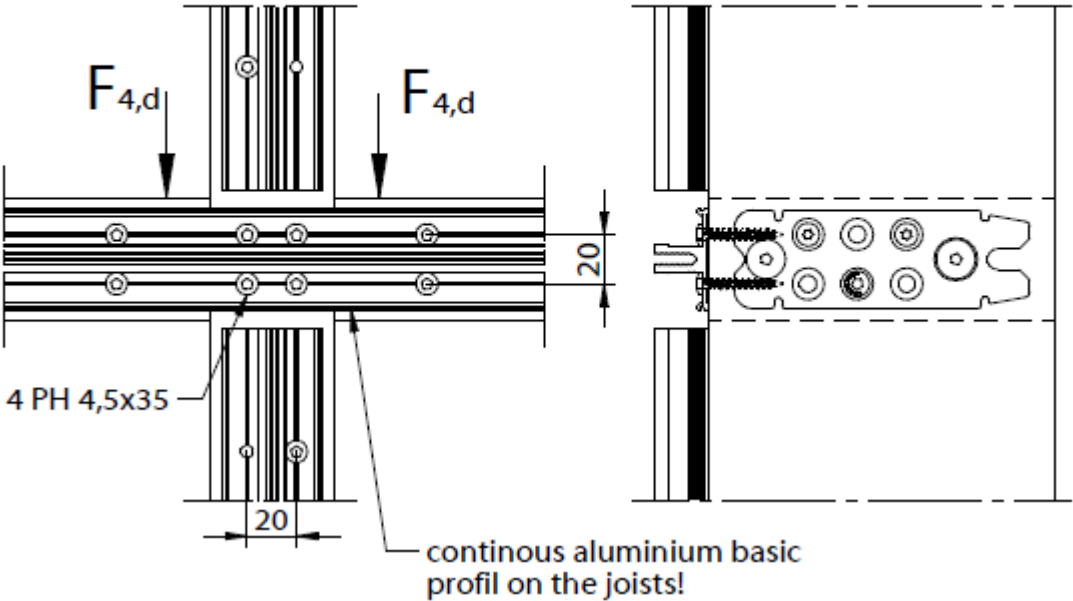
RICON®

RICON® reinforcing plate drill-hole positions



RICON®

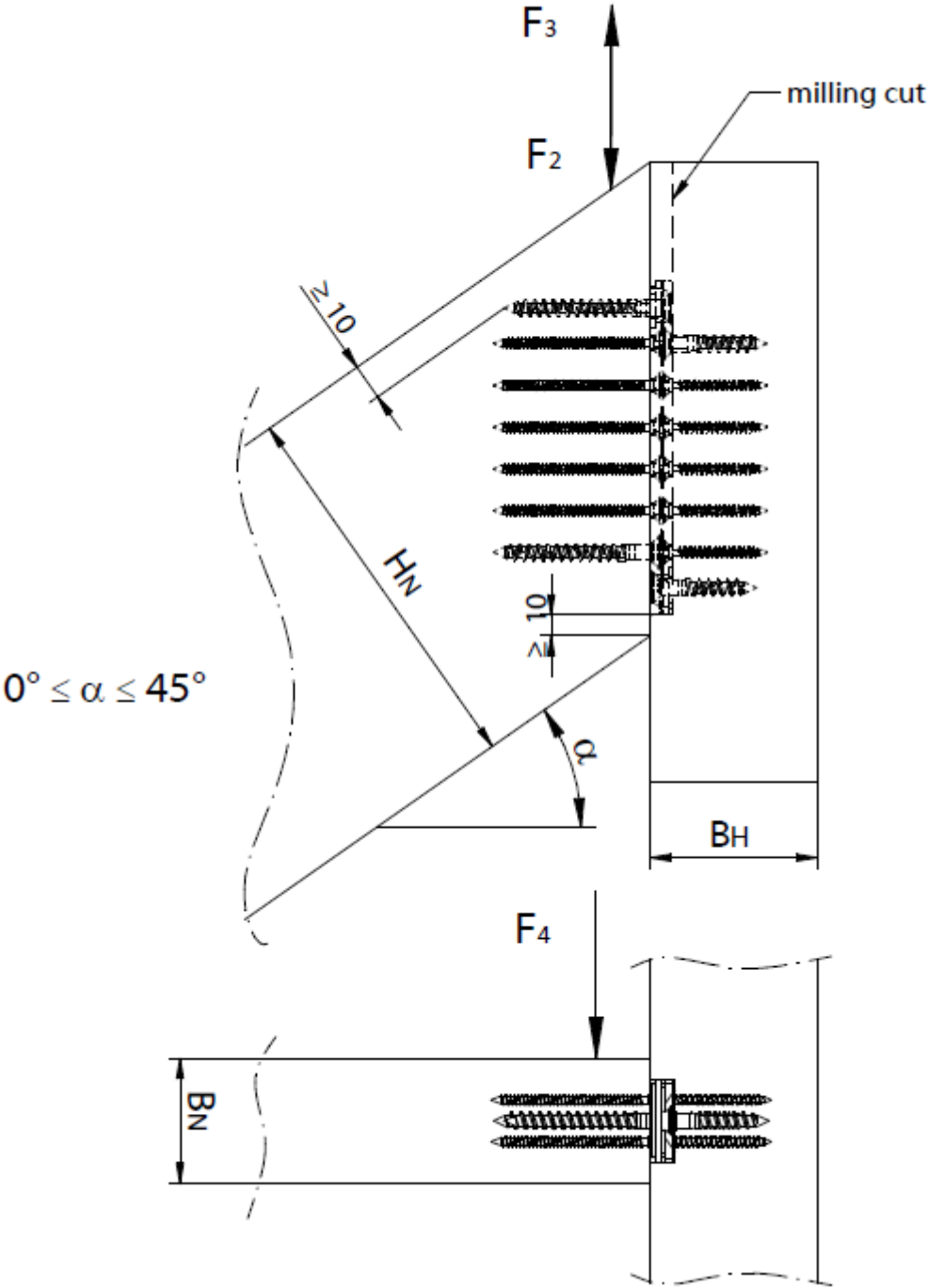
RICON® double connection with continuous aluminium basic profile on the joists



RICON®

Tilted joints/ milling cut in header

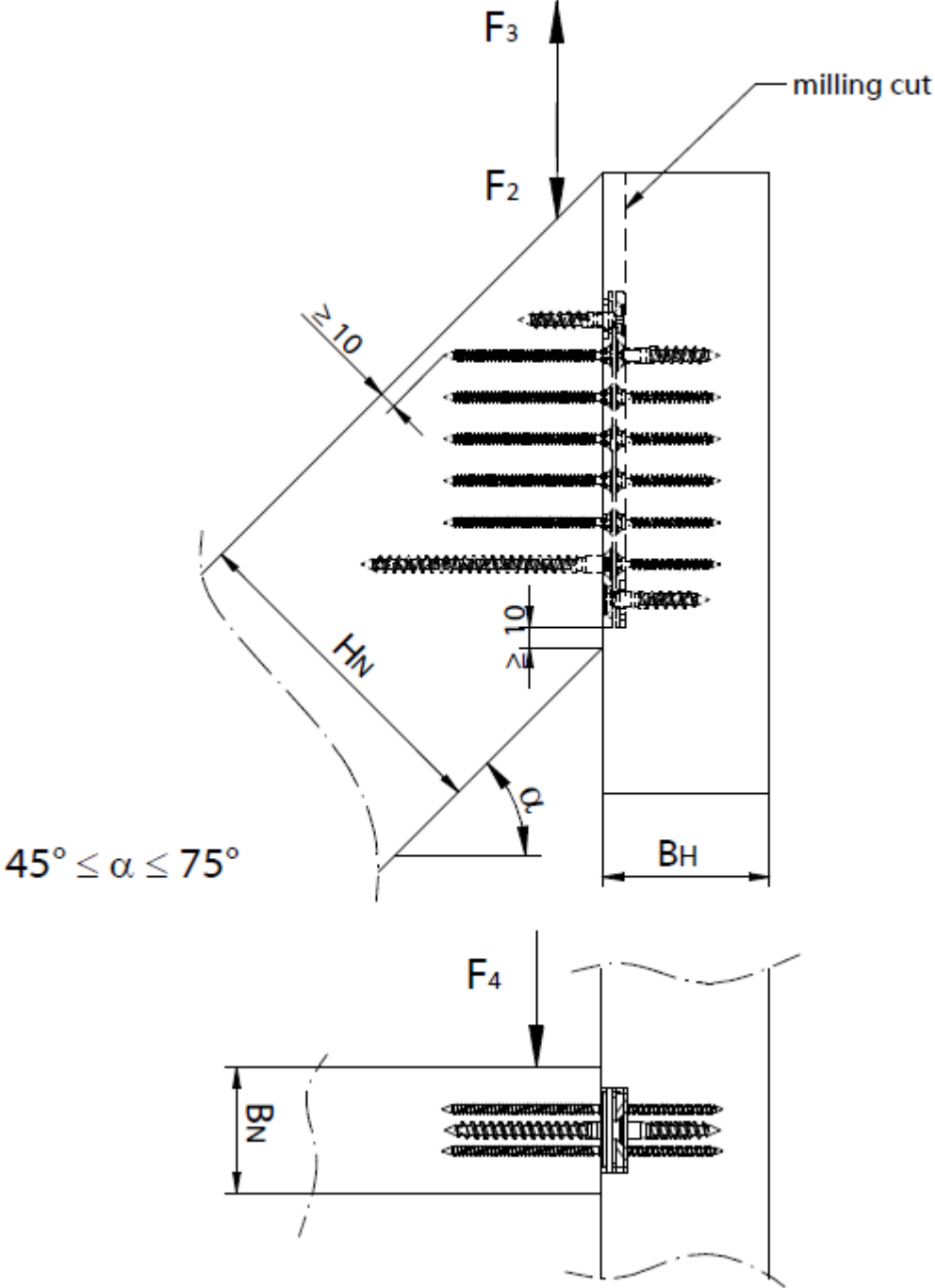
$$\alpha \leq 45^\circ$$



RICON®

Tilted joints / milling cut in header

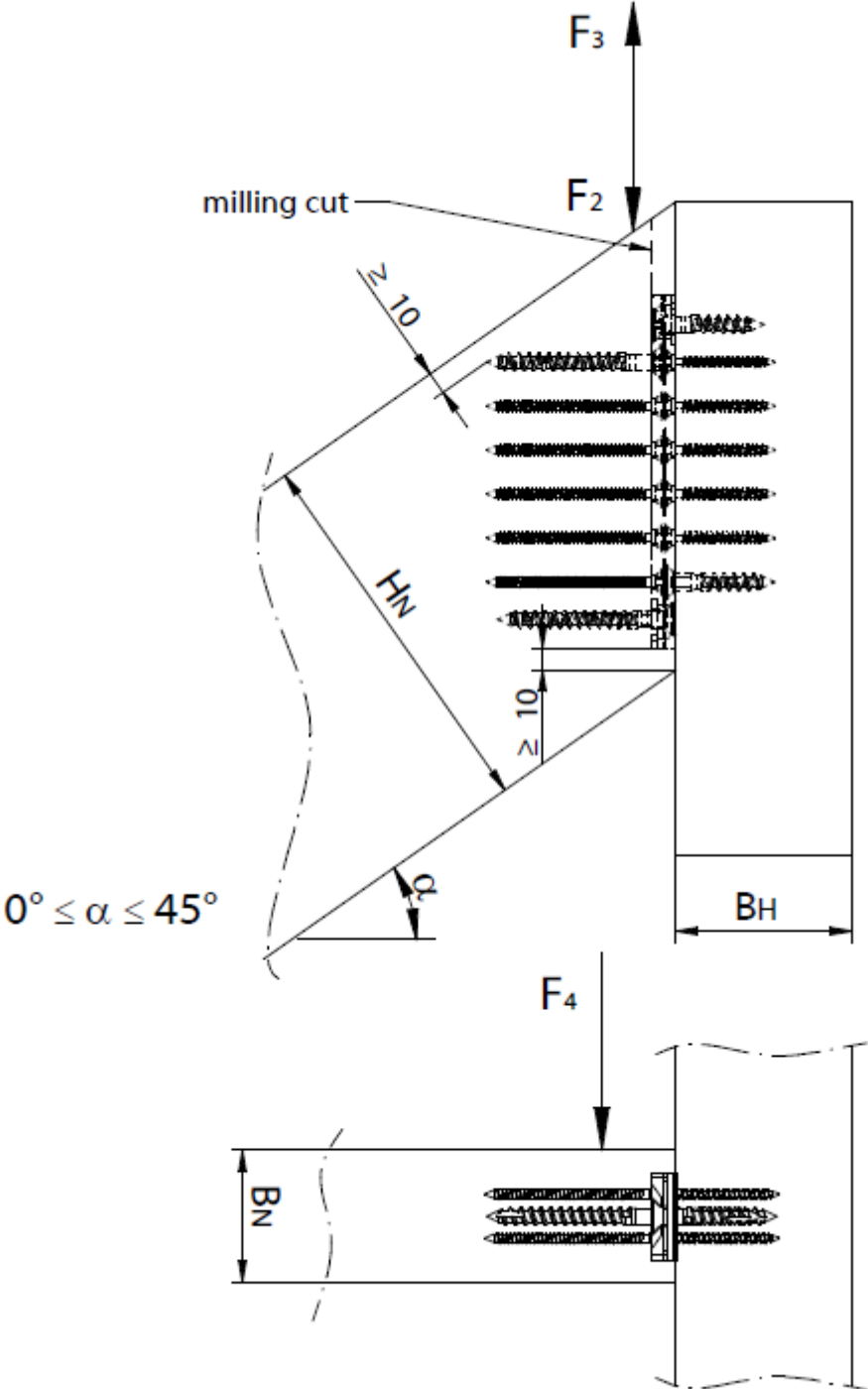
$$\alpha \geq 45^\circ$$



RICON®

Tilted joints / milling cut in joist

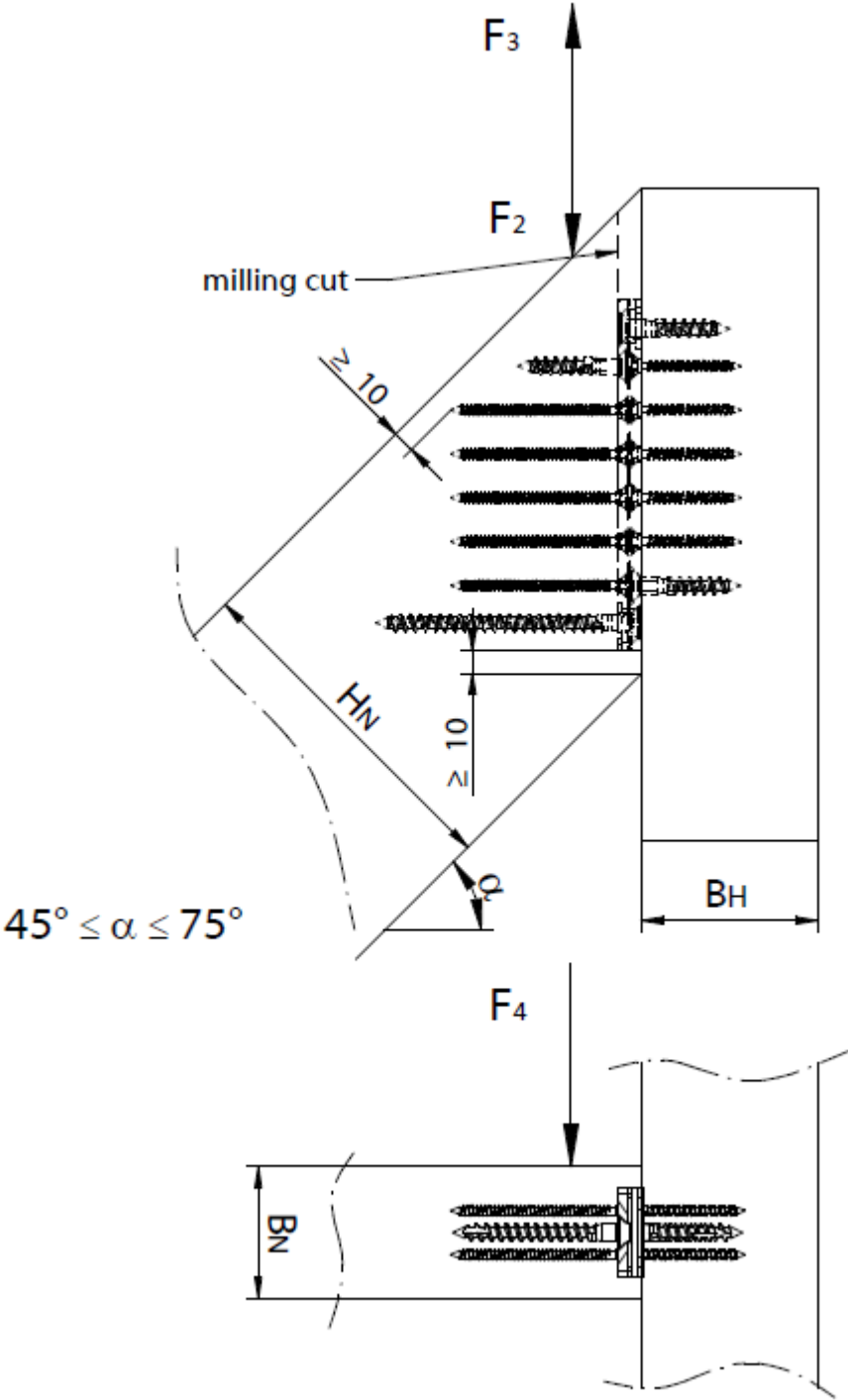
$$\alpha \leq 45^\circ$$



RICON®

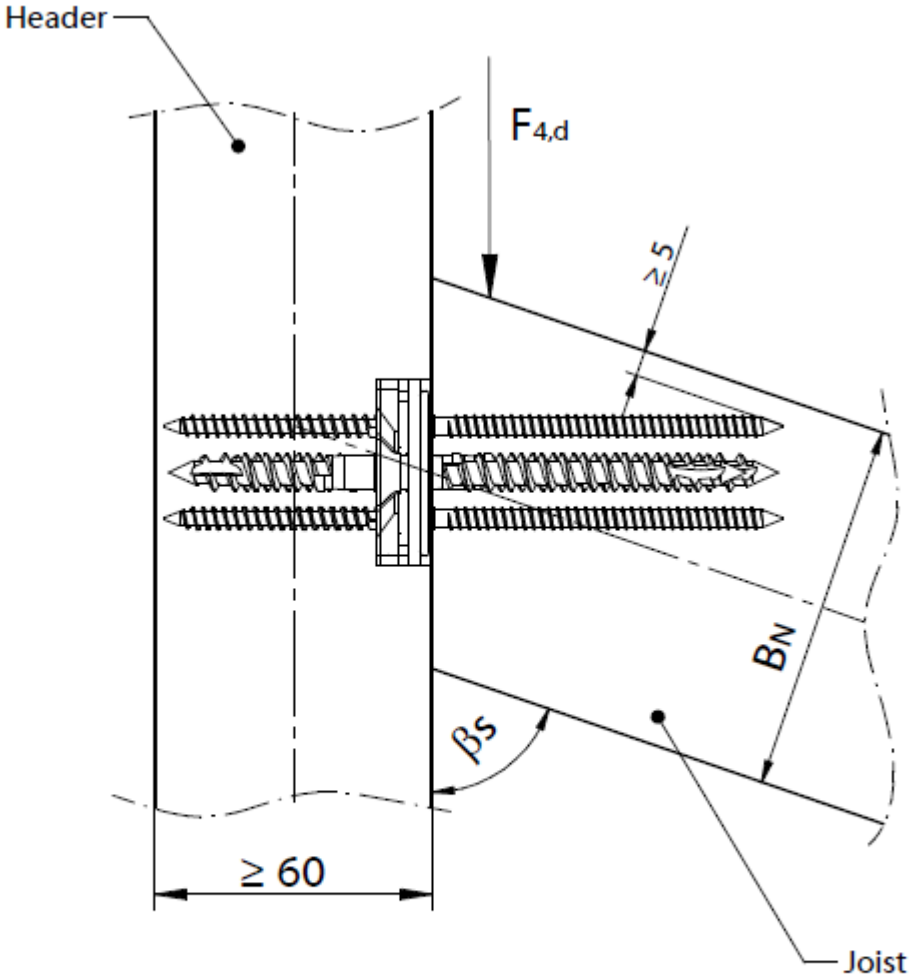
Tilted joints / milling cut in joist

$$\alpha \geq 45^\circ$$



RICON®

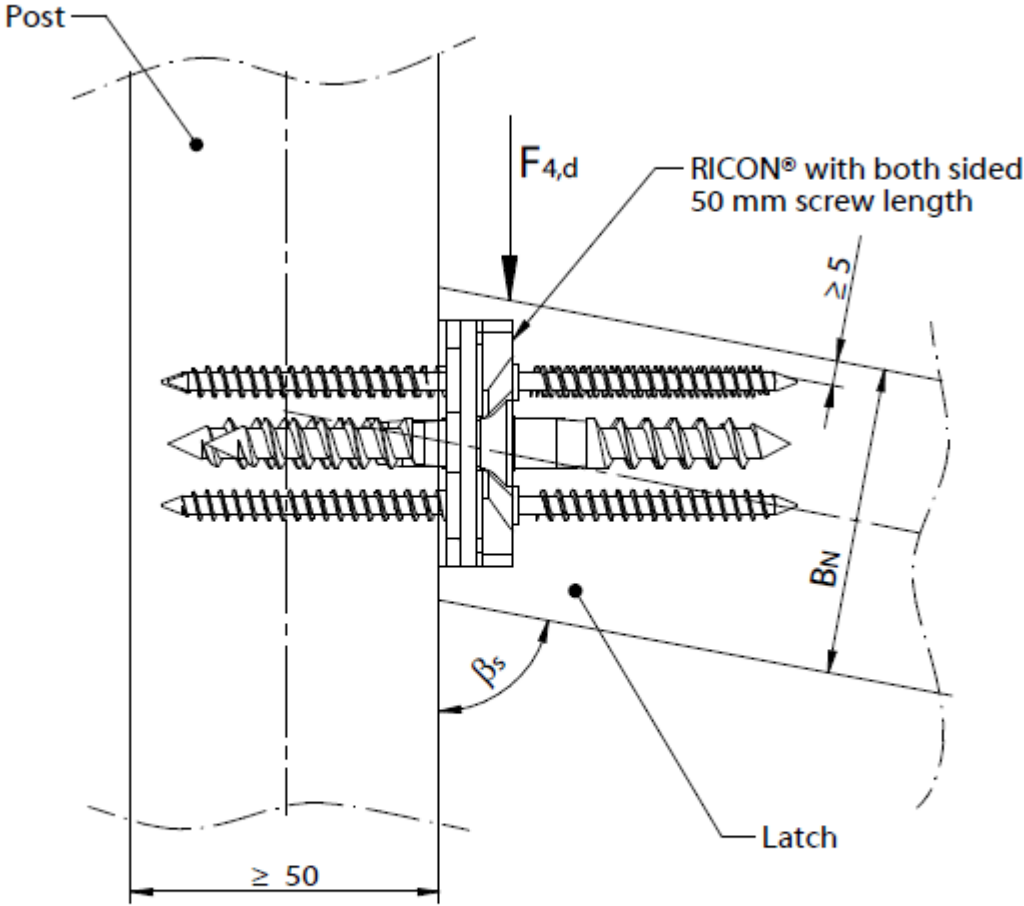
Tilted joints / milling cut in header



Breite B_N	Winkel β_s
50 mm	83°
80 mm	71°

RICON®

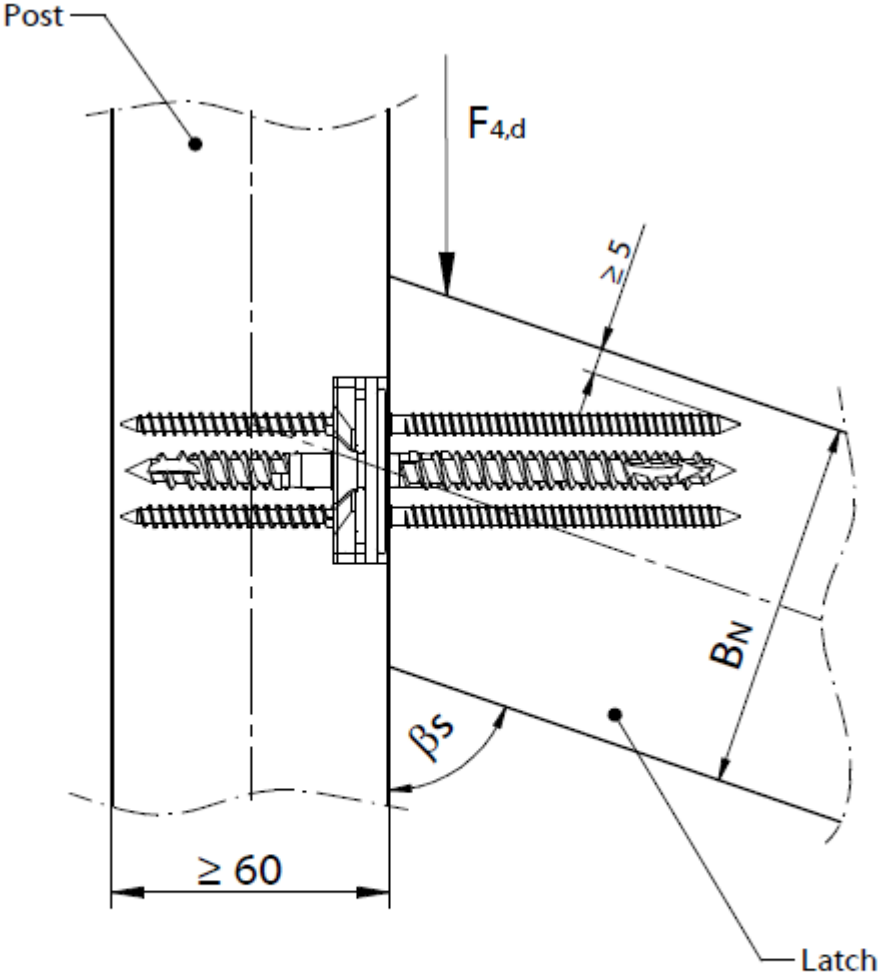
Tilted joints / milling cut in joist



width B_N	angle β_s
50 mm	80
60 mm	72
80 mm	45

RICON®

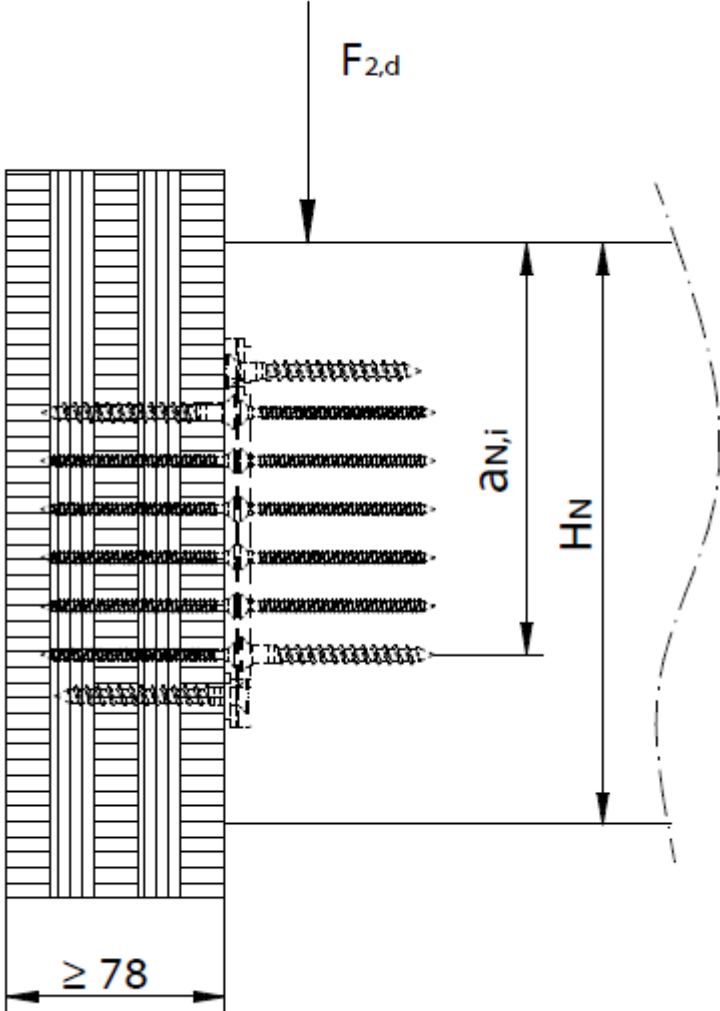
Tilted joints / milling cut in header



Breite B_N	Winkel β_s
50 mm	84°
80 mm	73°

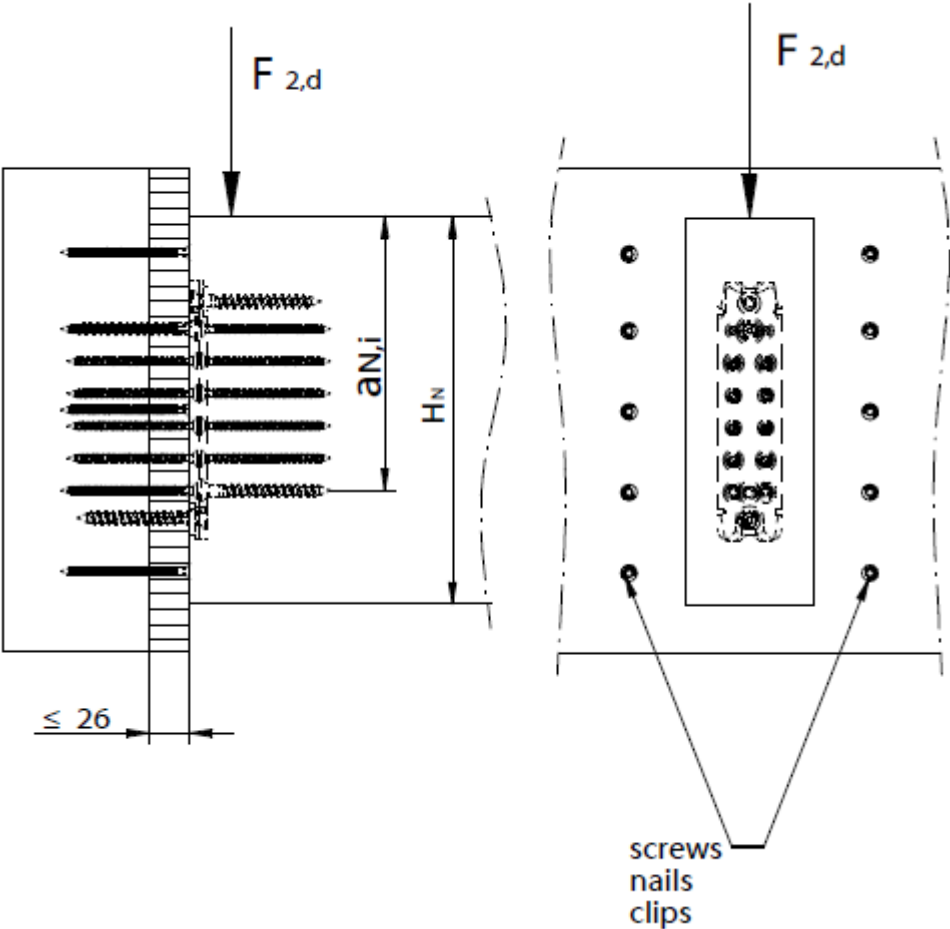
RICON®

Joint with cross laminated timber header



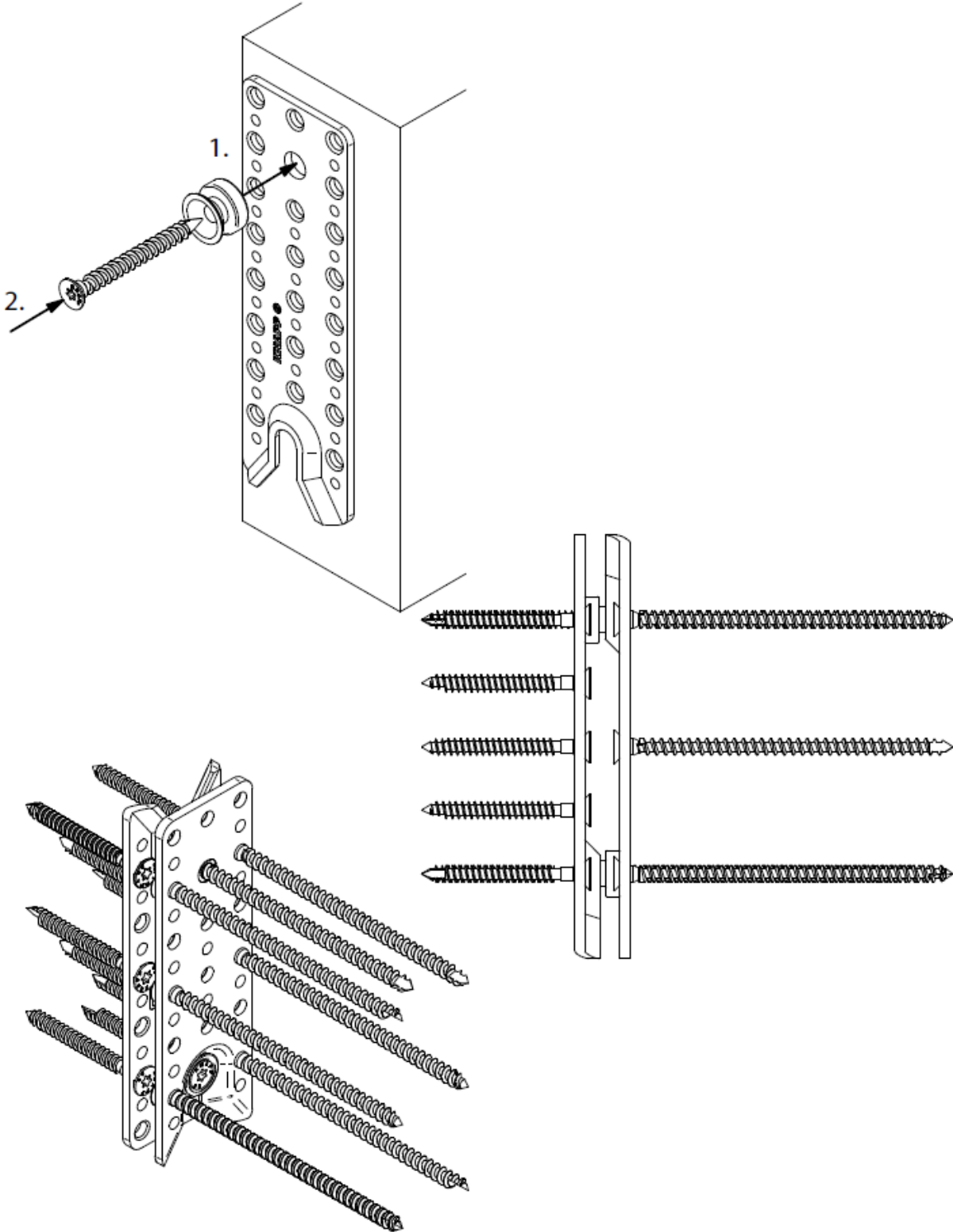
RICON®

Joint with interlayer



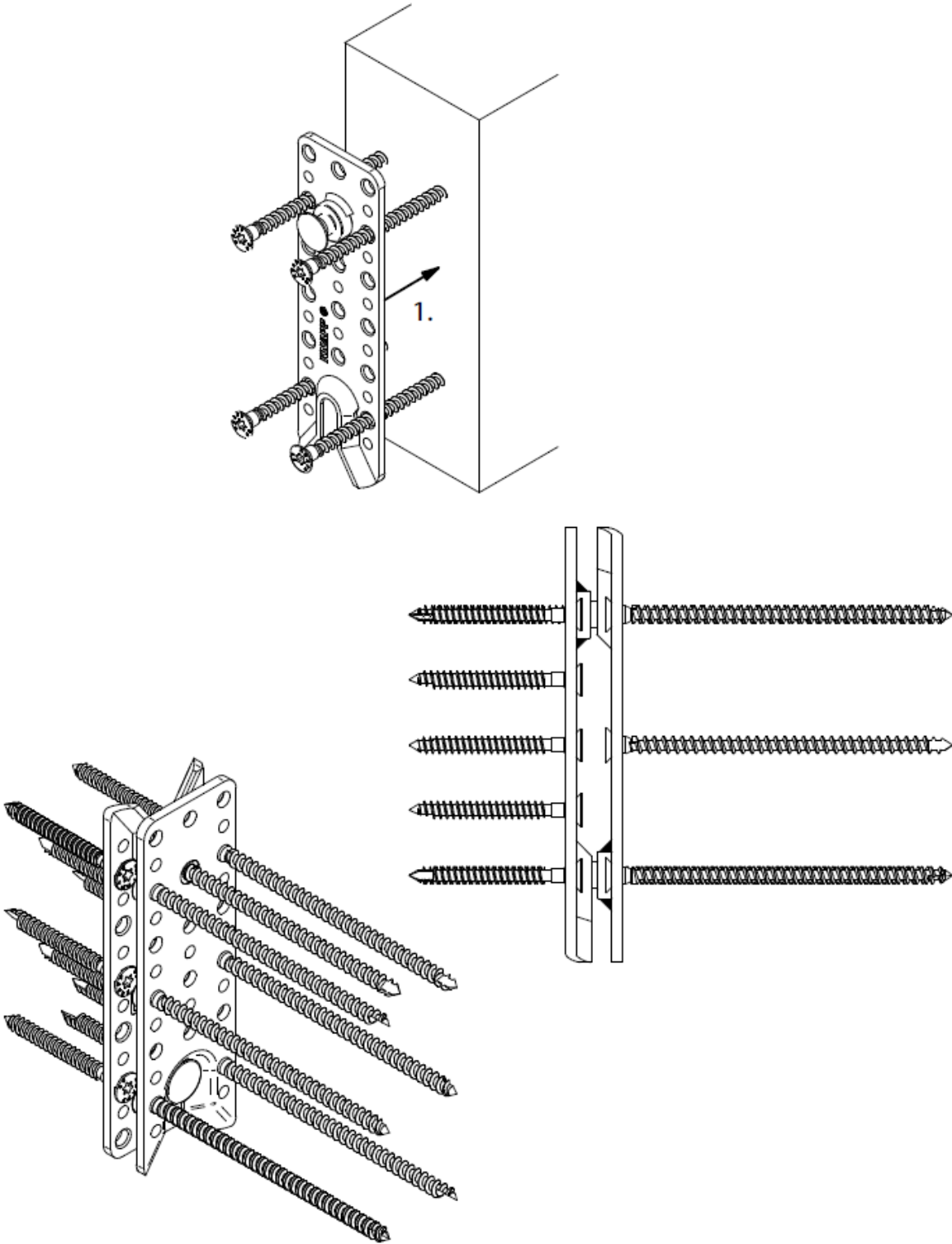
RICON® S

Installation collar bolt



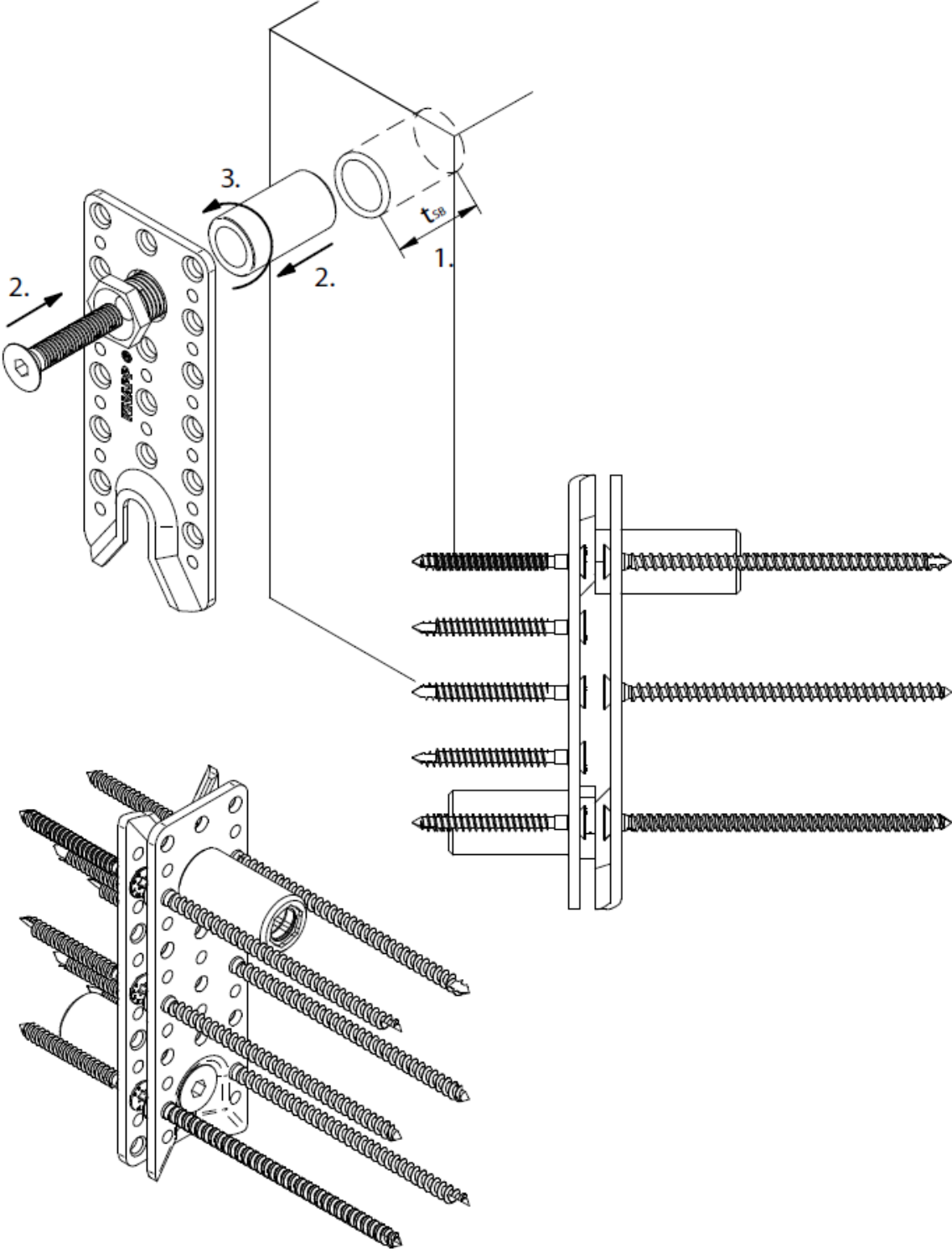
RICON® S

Installation welded collar bolt



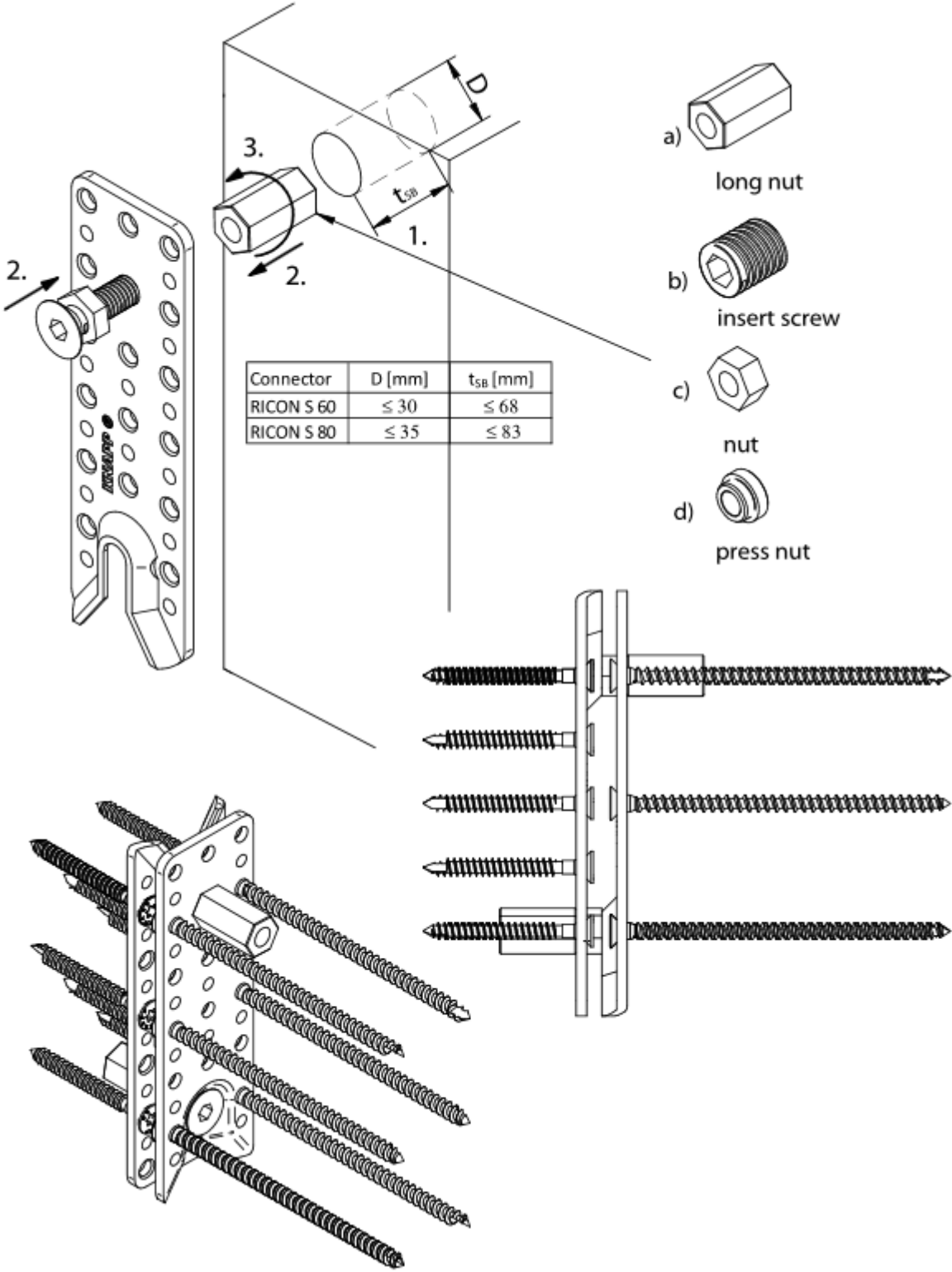
RICON® S

Installation spring retaining screw collar bolt



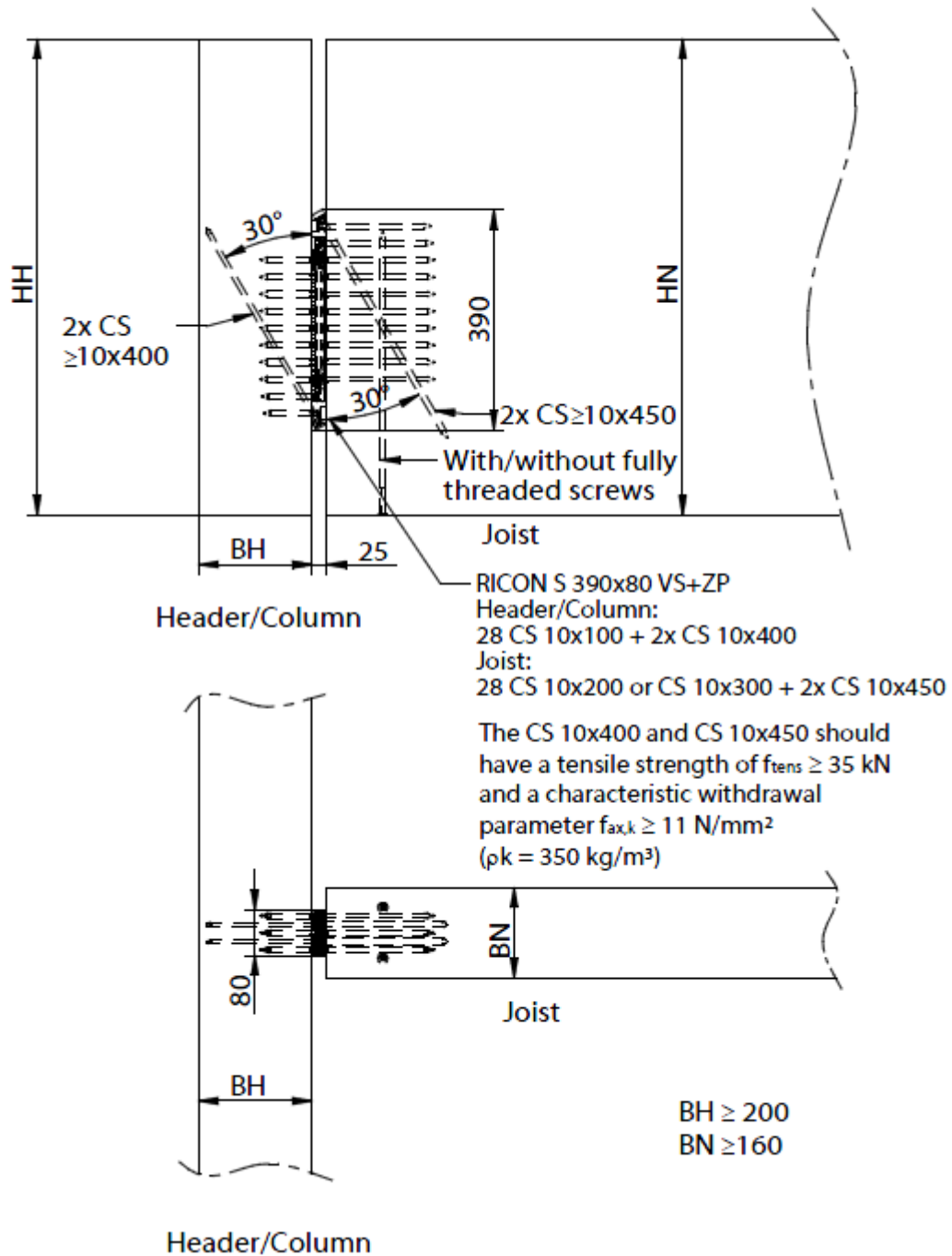
RICON® S

Installation retaining screw bolt



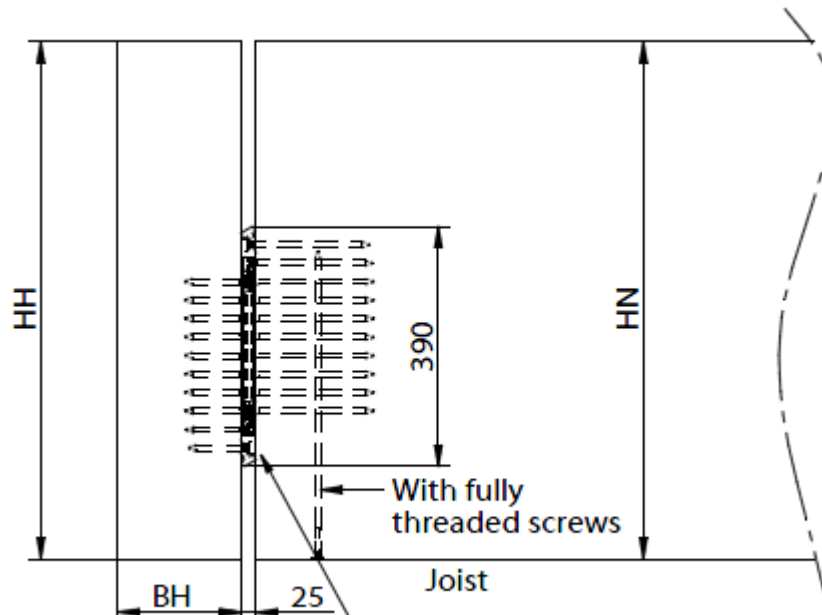
RICON® S

**RICON® S 390x80 VS+ZP with 30° inclined screws
Header-joist-connection**

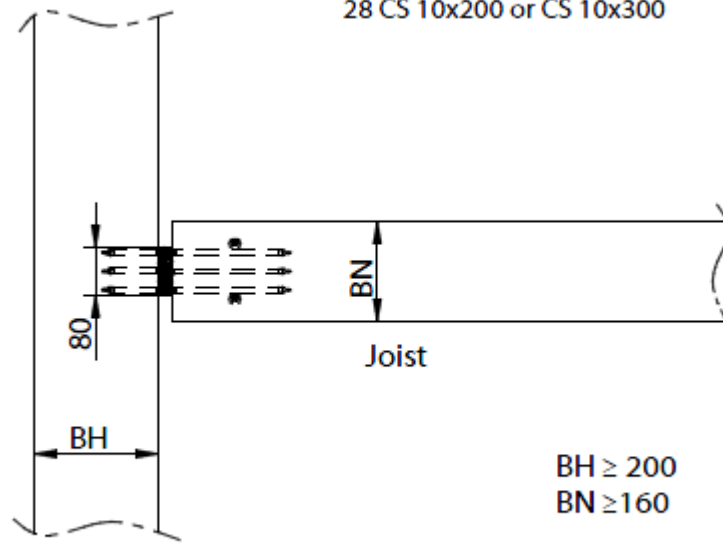


RICON® S

RICON® S 390x80 VS+ZP without 30° inclined screws Header-joist-connection



RICON S 390x80 VS+ZP
Header/Column:
28 CS 10x100
Joist:
28 CS 10x200 or CS 10x300

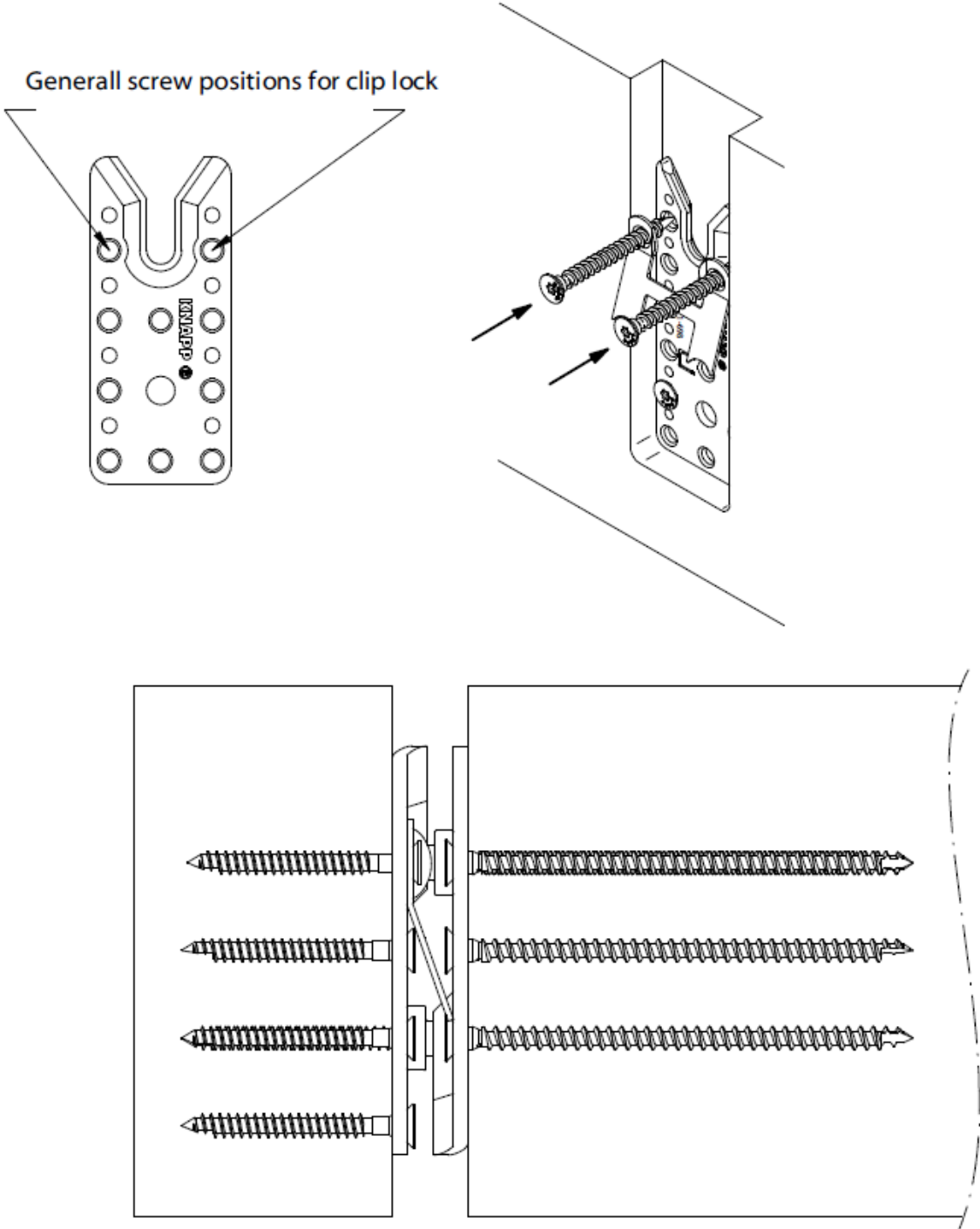


$BH \geq 200$
 $BN \geq 160$

Header/Column

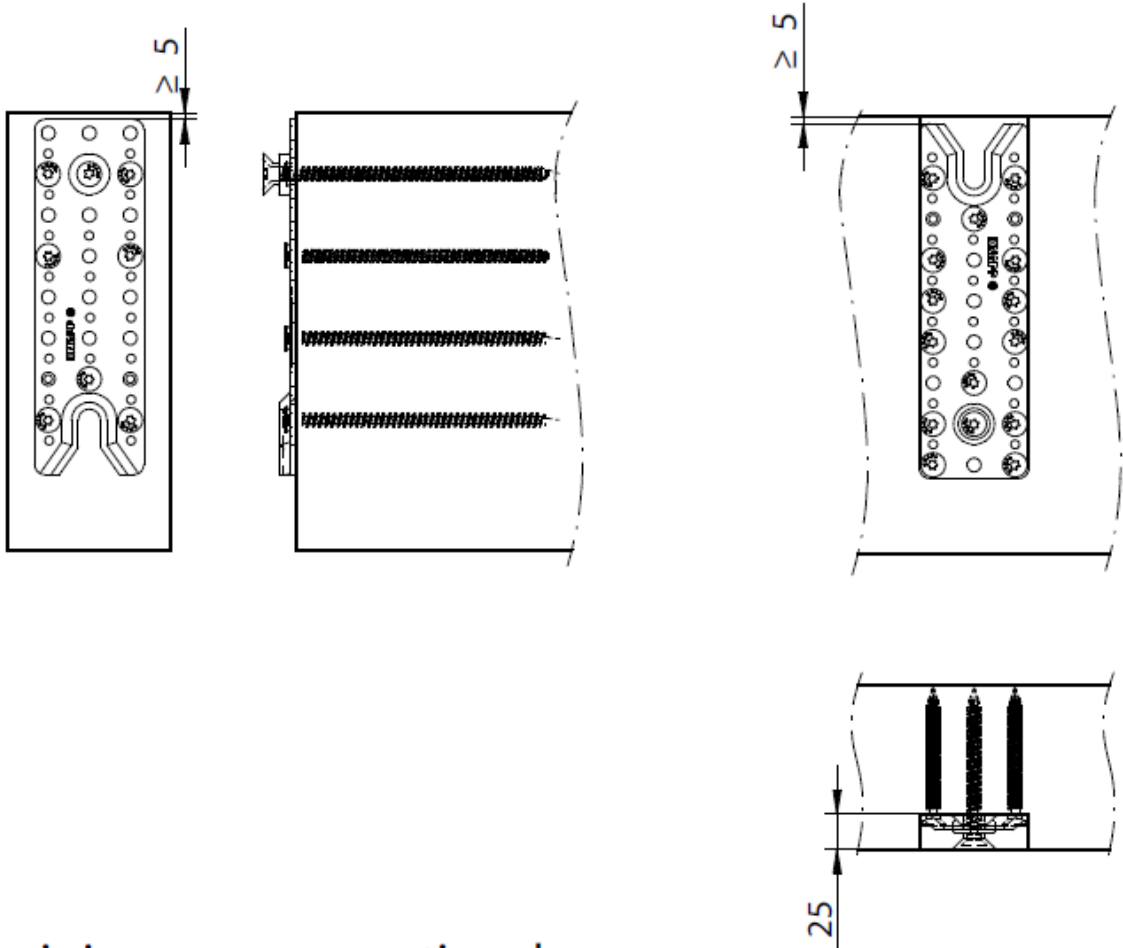
RICON® S

Installation clip lock



RICON® S

Minimum cross-section sizes

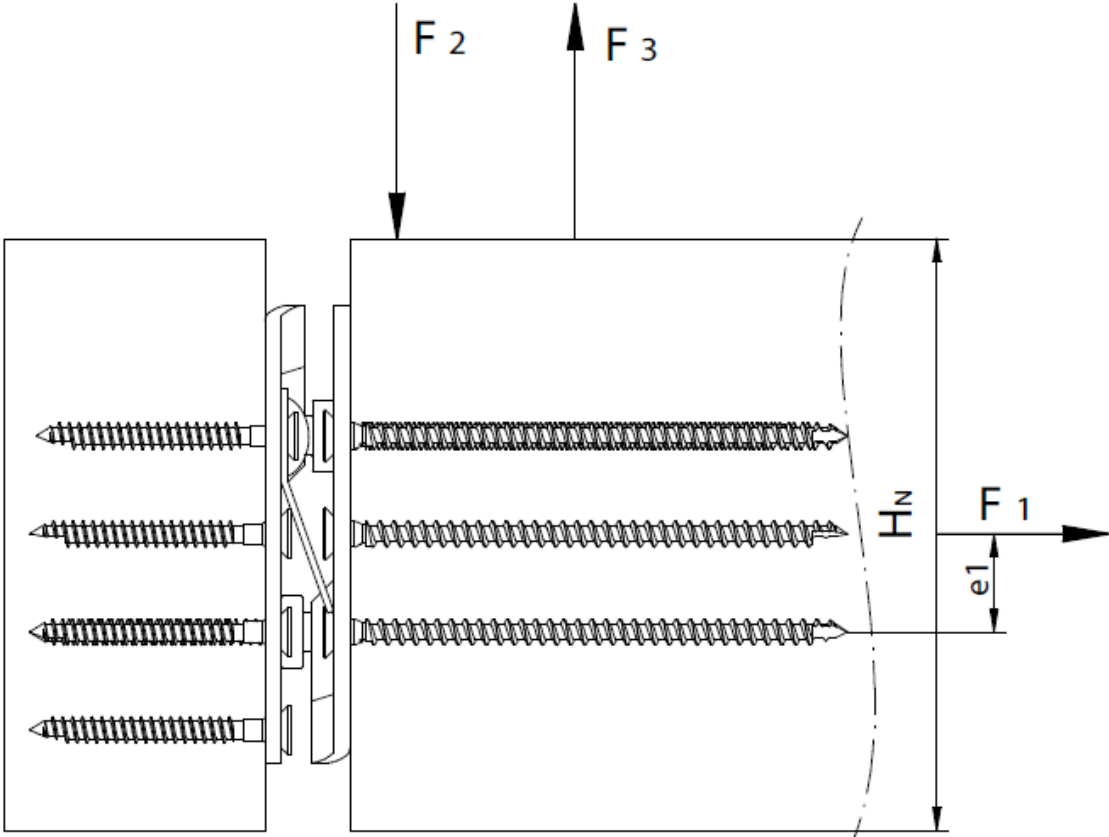


minimum cross sectional area:

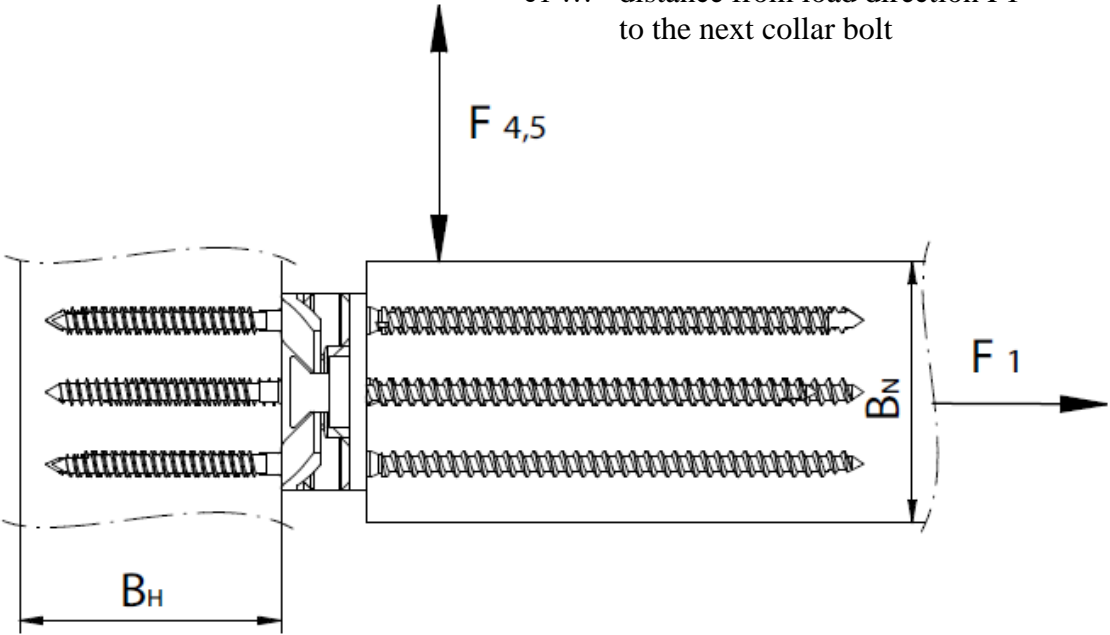
joint size		minimum cross section	
width	height	width	height
60	140	100	160
60	170	100	190
60	200	100	220
60	230	100	250
80	200	120	230
80	230	120	260
80	260	120	290
80	290	120	320

RICON® S

Load directions



$e1$... distance from load direction F_1 to the next collar bolt

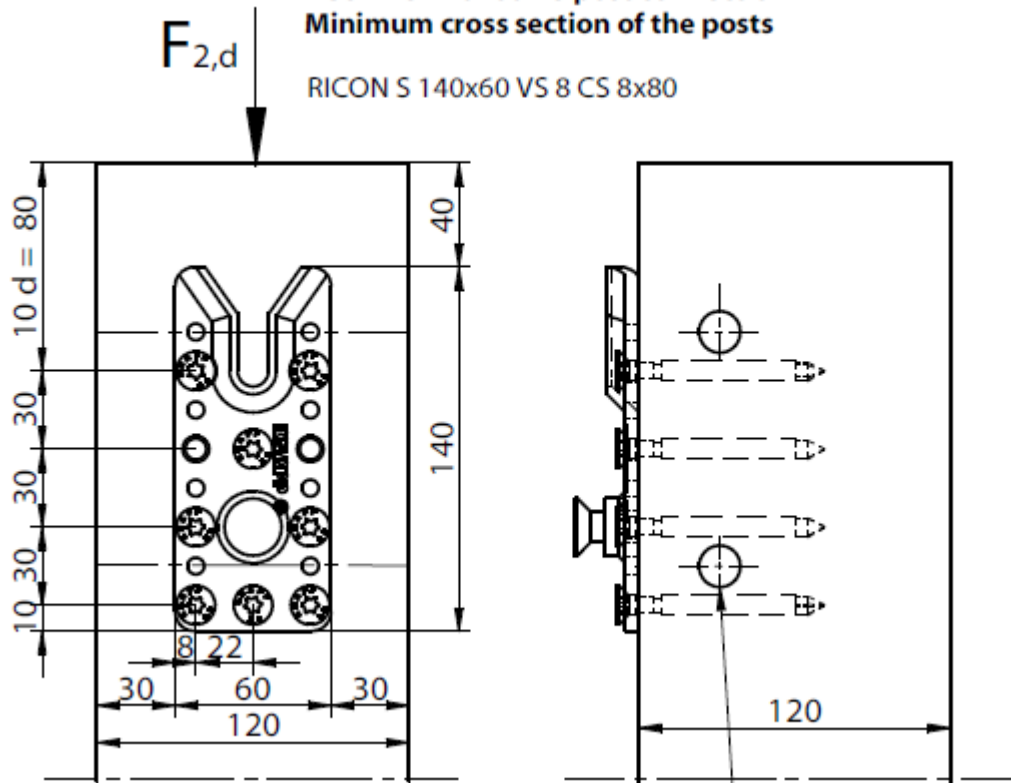


RICON® S

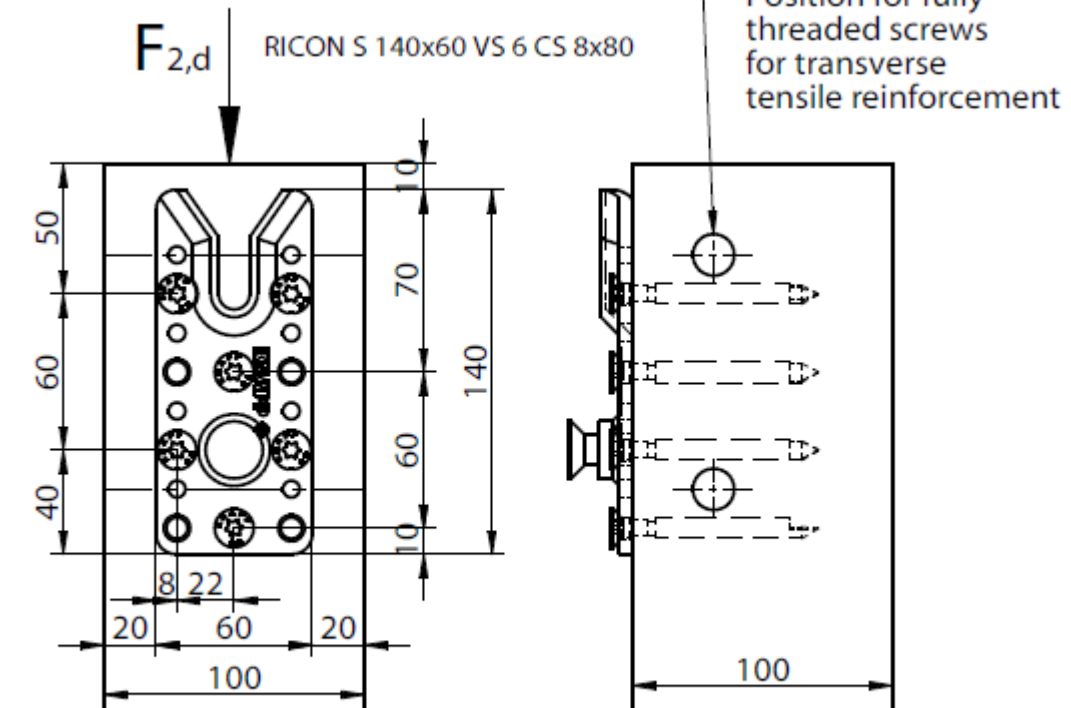
Column connections
Reinforced column connections with single and double plates

RICON® S 140x60 VS post connection
Minimum cross section of the posts

RICON S 140x60 VS 8 CS 8x80



RICON S 140x60 VS 6 CS 8x80



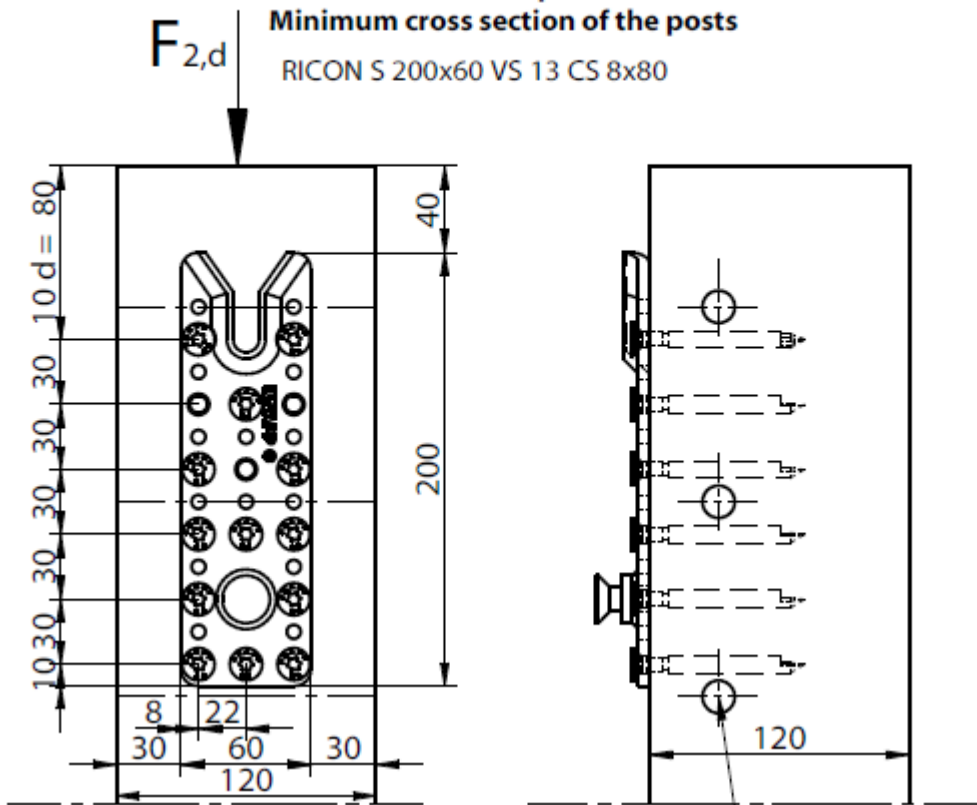
Note: In order to prevent premature splitting in the column, reinforcing screws with the same RICON S screw diameter and with a length equal to the column width marked as the circles at RICON S column connection.

RICON® S

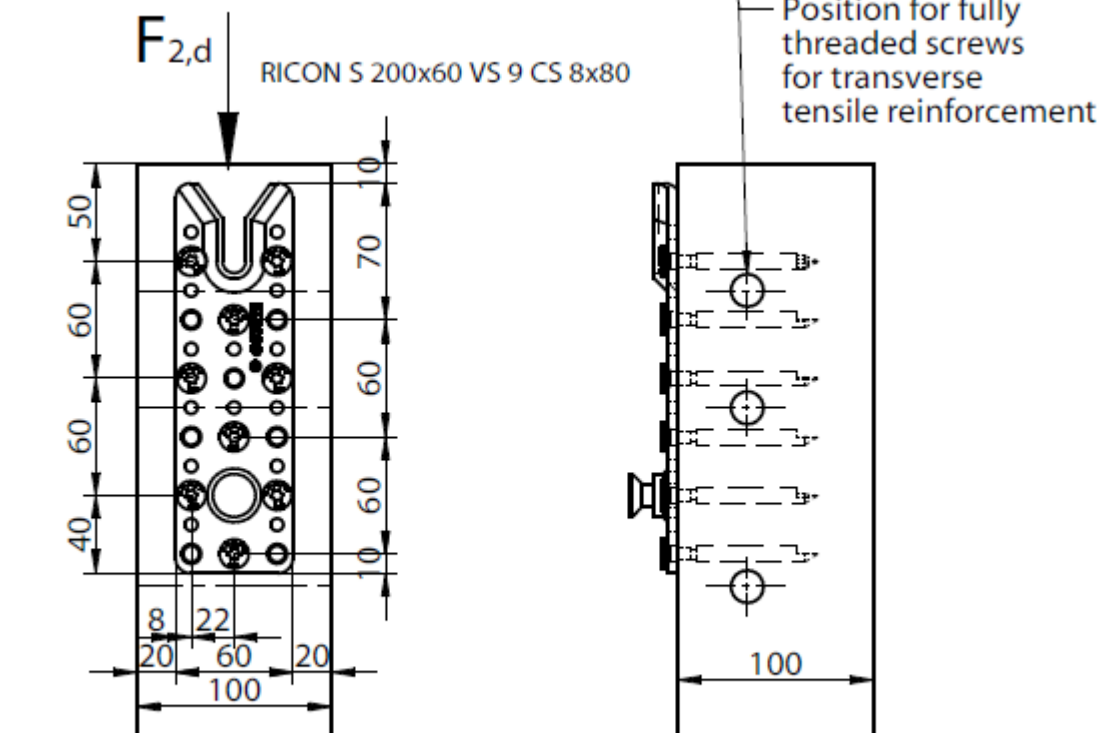
RICON® S 200x60 VS post connection

Minimum cross section of the posts

RICON S 200x60 VS 13 CS 8x80

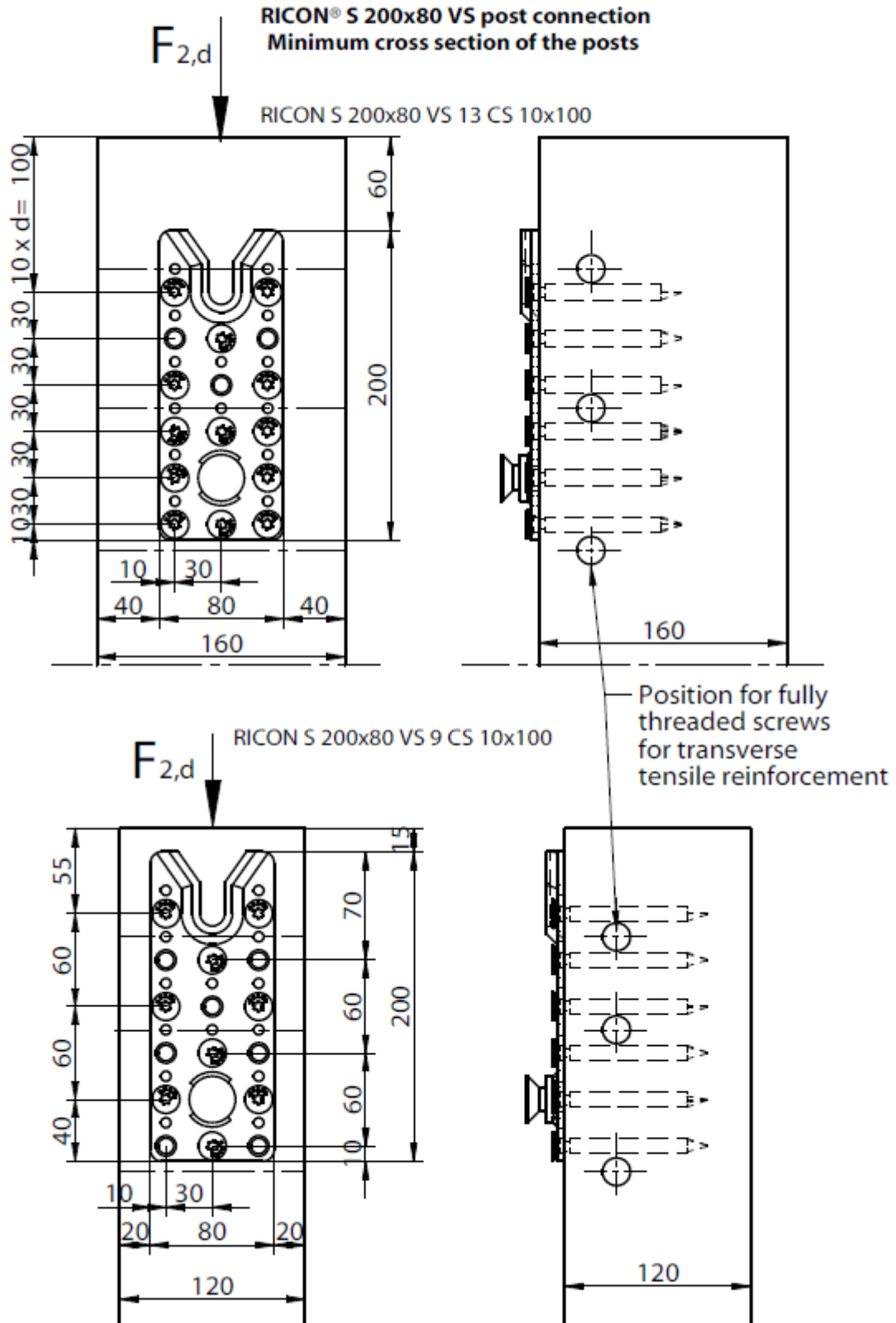


RICON S 200x60 VS 9 CS 8x80



Note: In order to prevent premature splitting in the column, reinforcing screws with the same RICON S screw diameter and with a length equal to the column width marked as the circles at RICON S column connection.

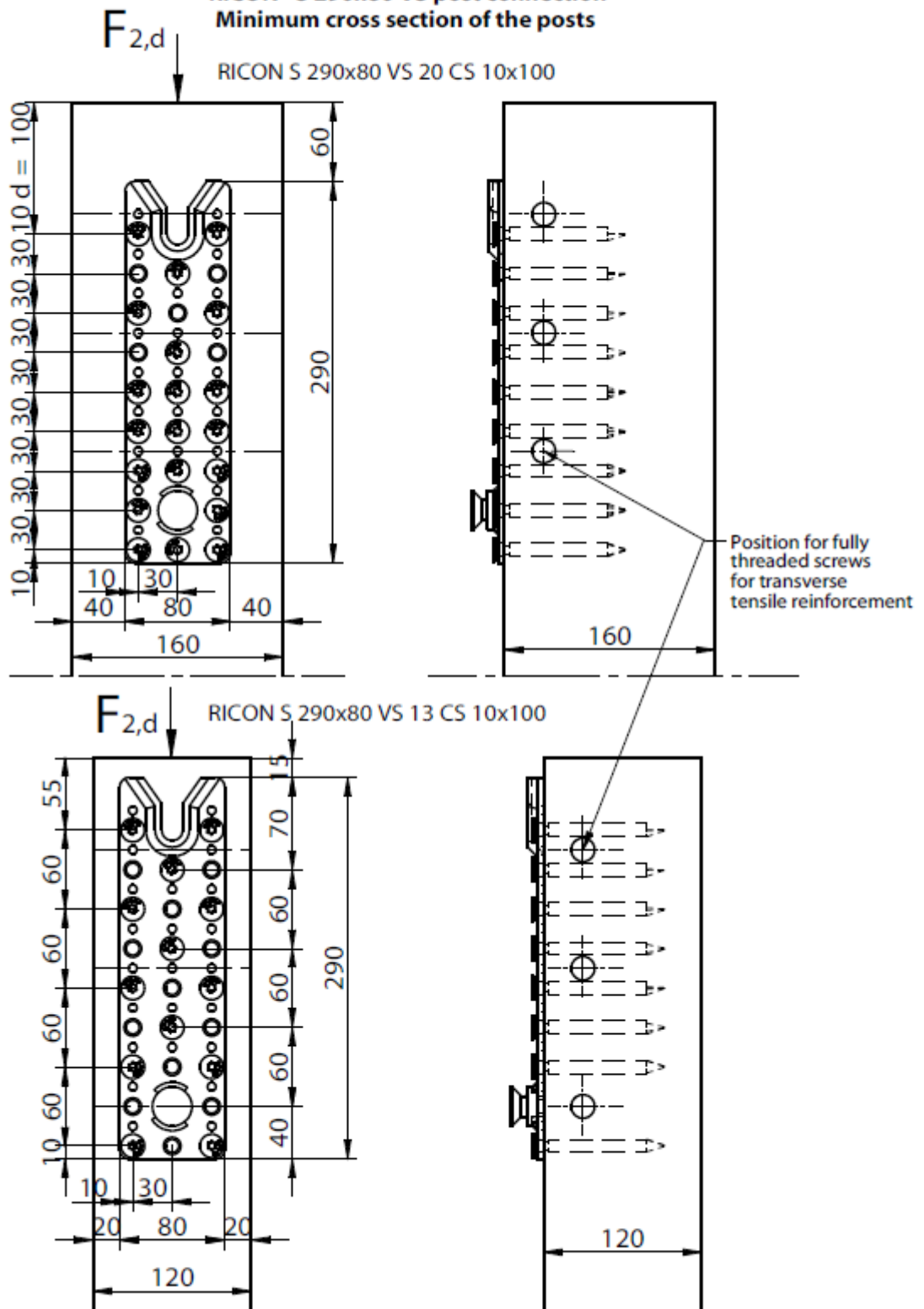
RICON® S



Note: In order to prevent premature splitting in the column, reinforcing screws with the same RICON S screw diameter and with a length equal to the column width marked as the circles at RICON S column connection.

RICON® S

RICON® S 290x80 VS post connection
Minimum cross section of the posts

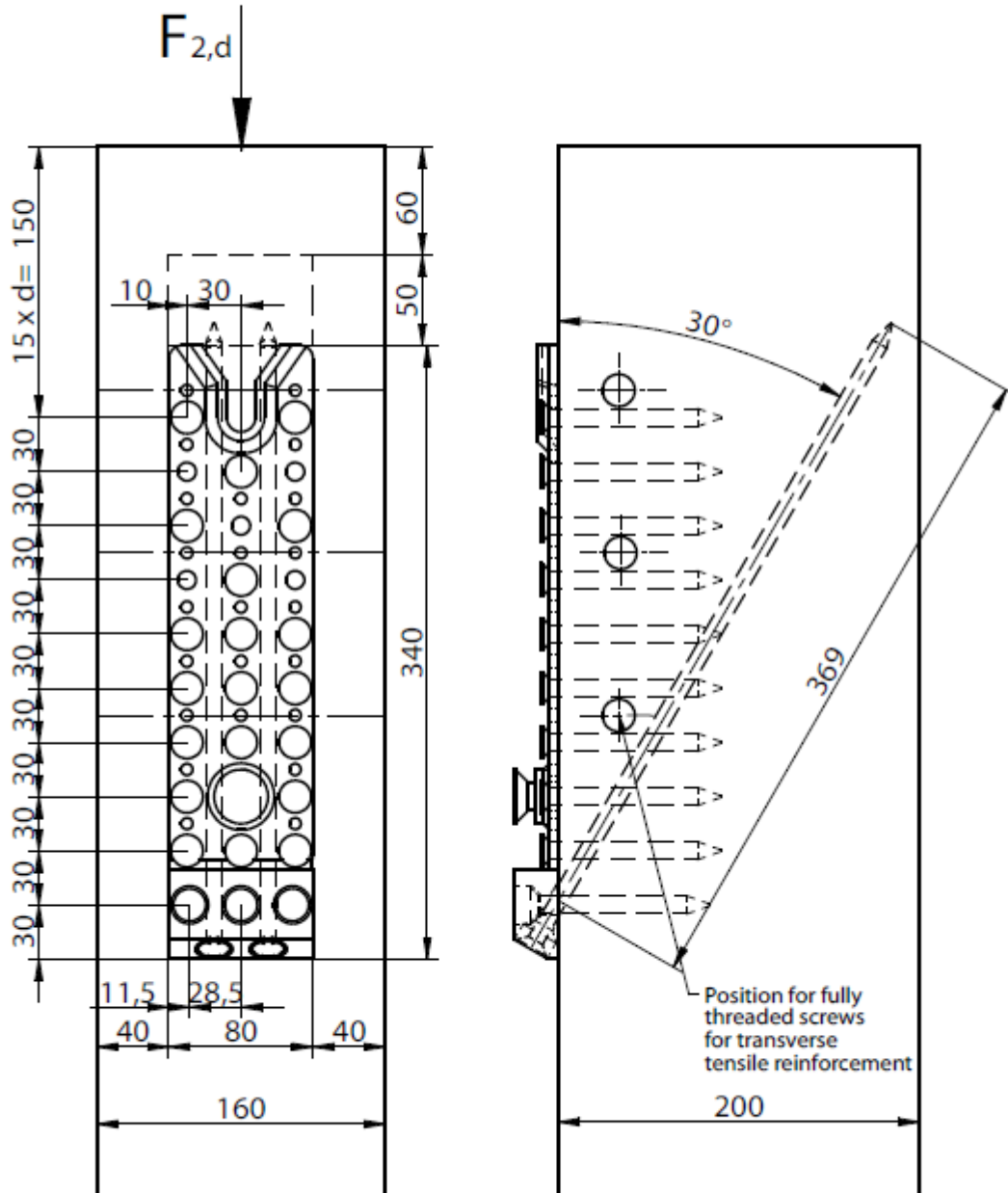


Note: In order to prevent premature splitting in the column, reinforcing screws with the same RICON S screw diameter and with a length equal to the column width marked as the circles at RICON S column connection.

RICON® S

**RICON® S 390x80 VS+ZP post connection
Minimum cross section of the posts**

RICON S 390x80 VS+ ZP 23 CS 10x100 + 2 CS 10x400

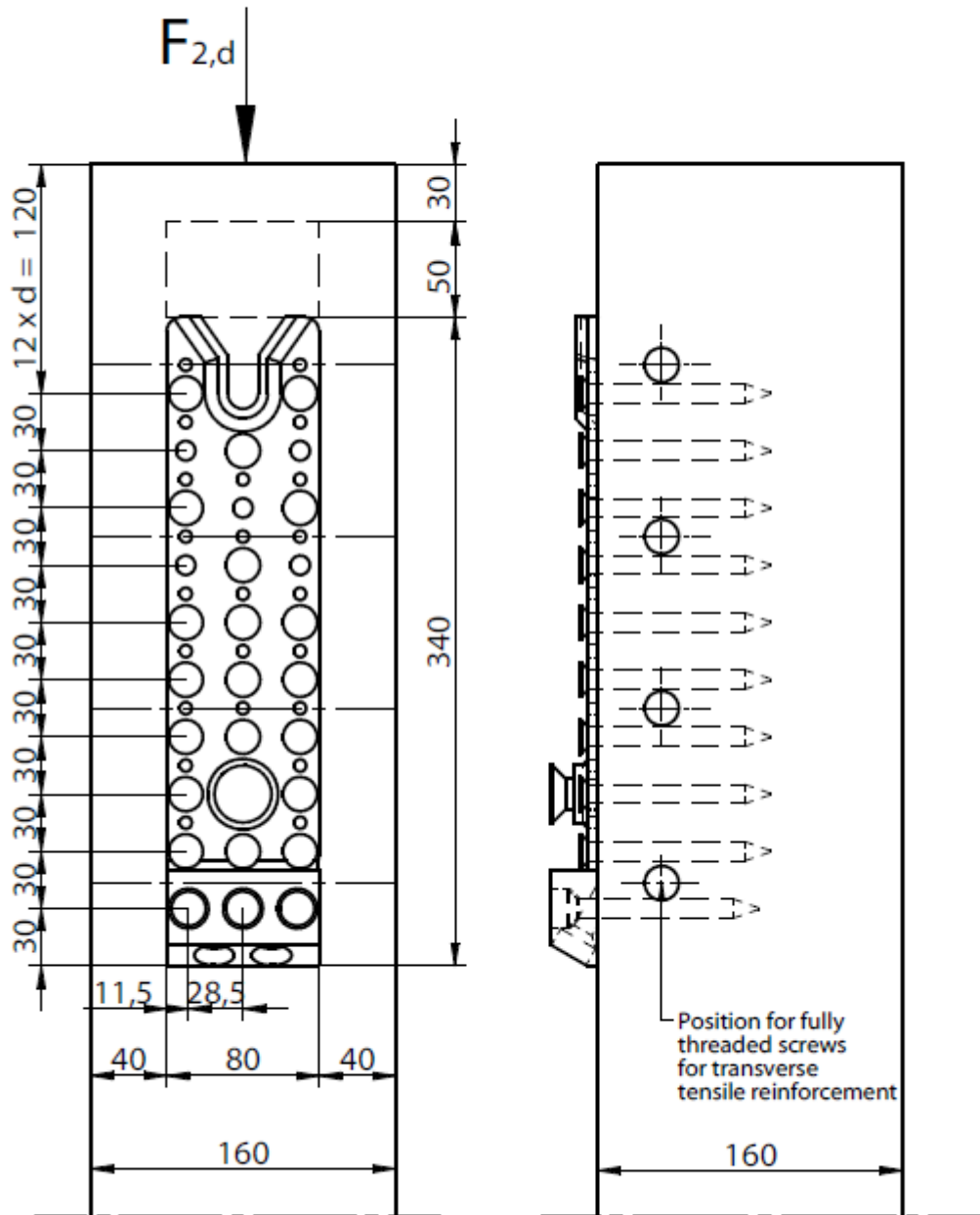


Note: In order to prevent premature splitting in the column, reinforcing screws with the same RICON S screw diameter and with a length equal to the column width marked as the circles at RICON S column connection.

RICON® S

RICON® S 390x80 VS+ZP post connection
Minimum cross section of the posts

RICON S 390x80 VS+ ZP 23 CS 10x100

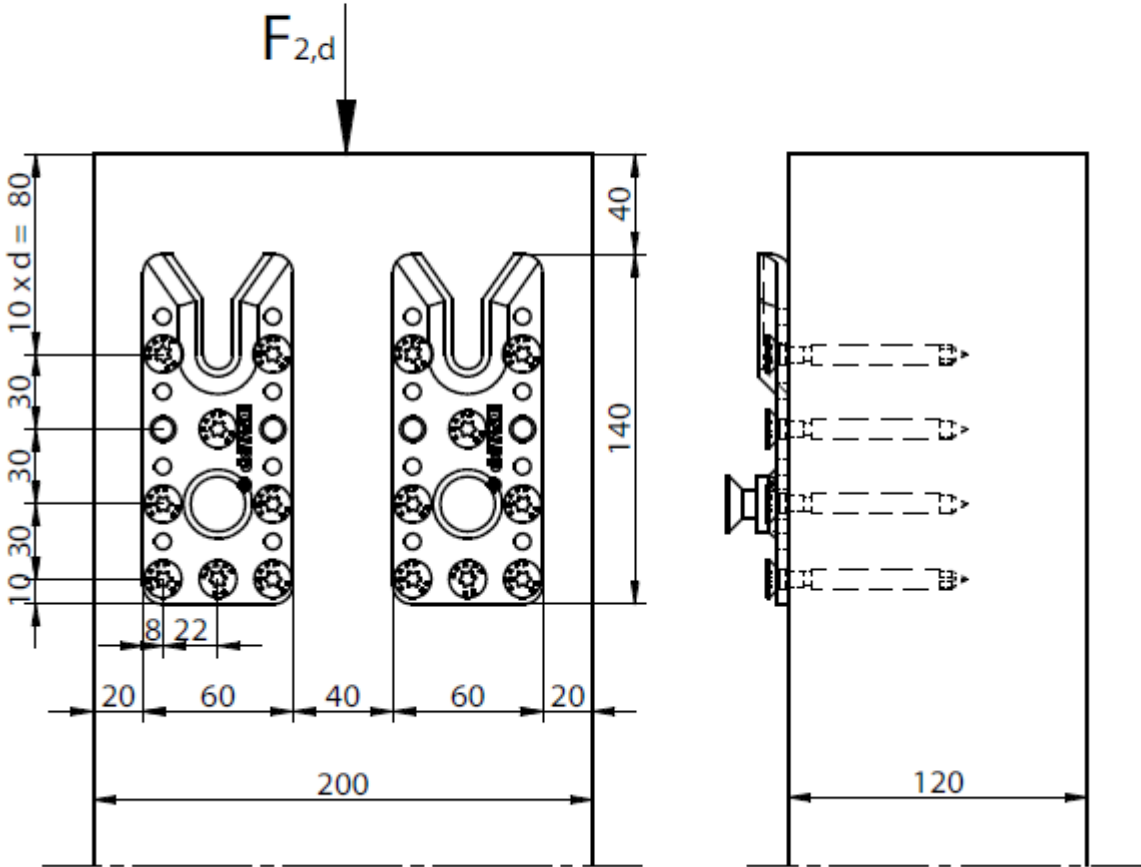


Note: In order to prevent premature splitting in the column, reinforcing screws with the same RICON S screw diameter and with a length equal to the column width marked as the circles at RICON S column connection.

RICON® S

Double RICON® S 140x60 VS post connection
Minimum cross section of the posts

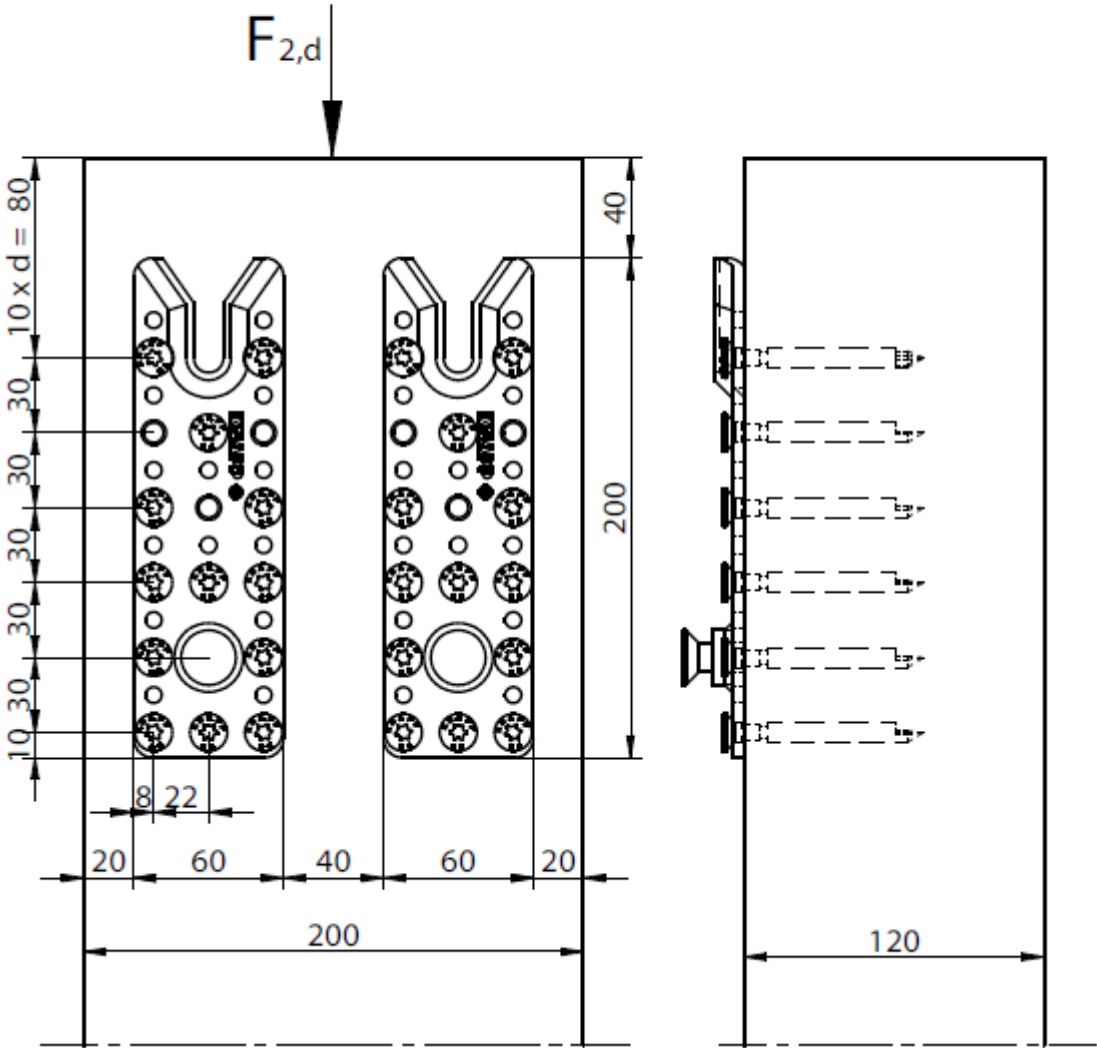
2x RICON S 140x60 VS 2x 8 CS 8x80



RICON® S

Double RICON® S 200x60 VS post connection
Minimum cross section of the posts

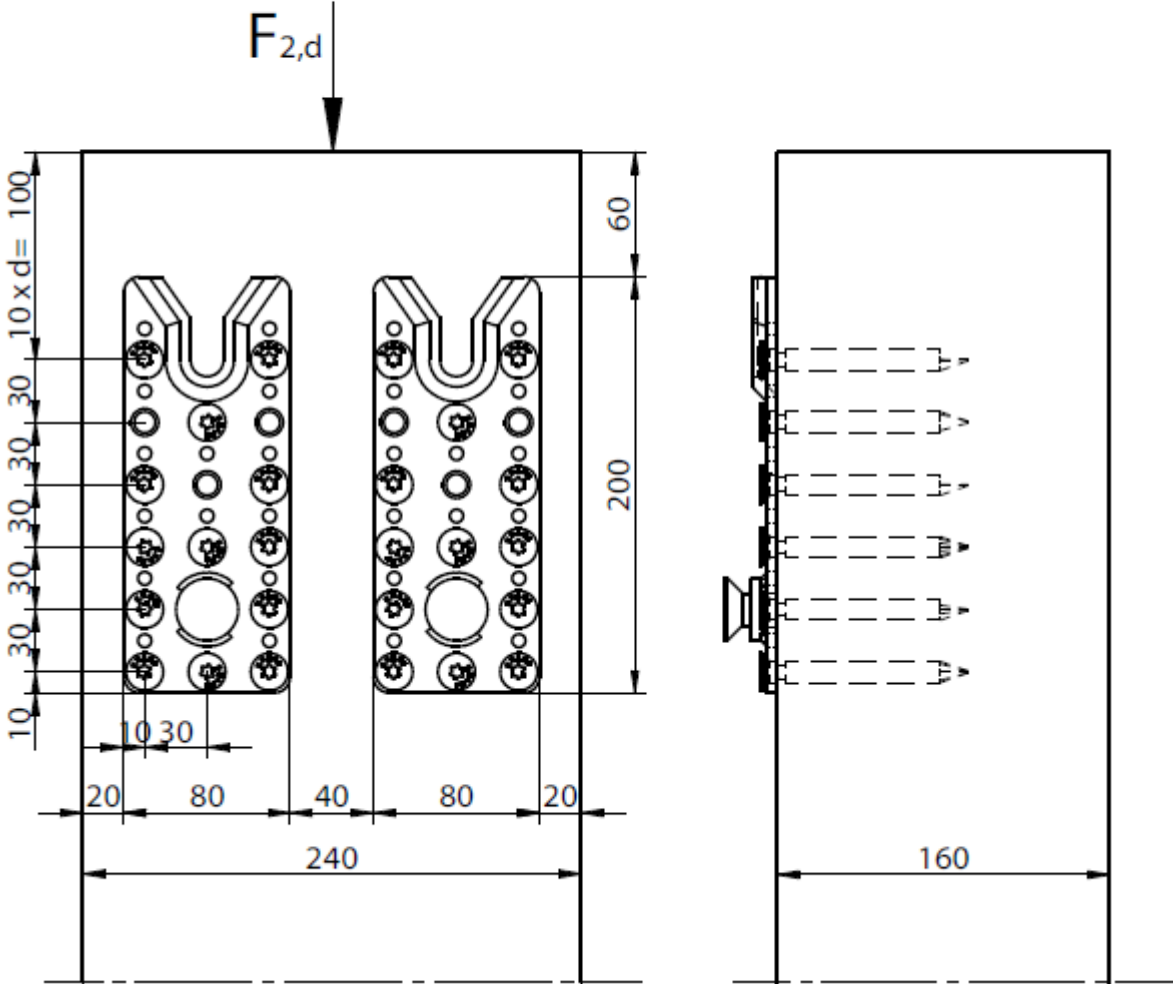
2x RICON S 200x60 VS 2x 13 CS 8x80



RICON® S

**Double RICON® S 200x80 VS post connection
Minimum cross section of the posts**

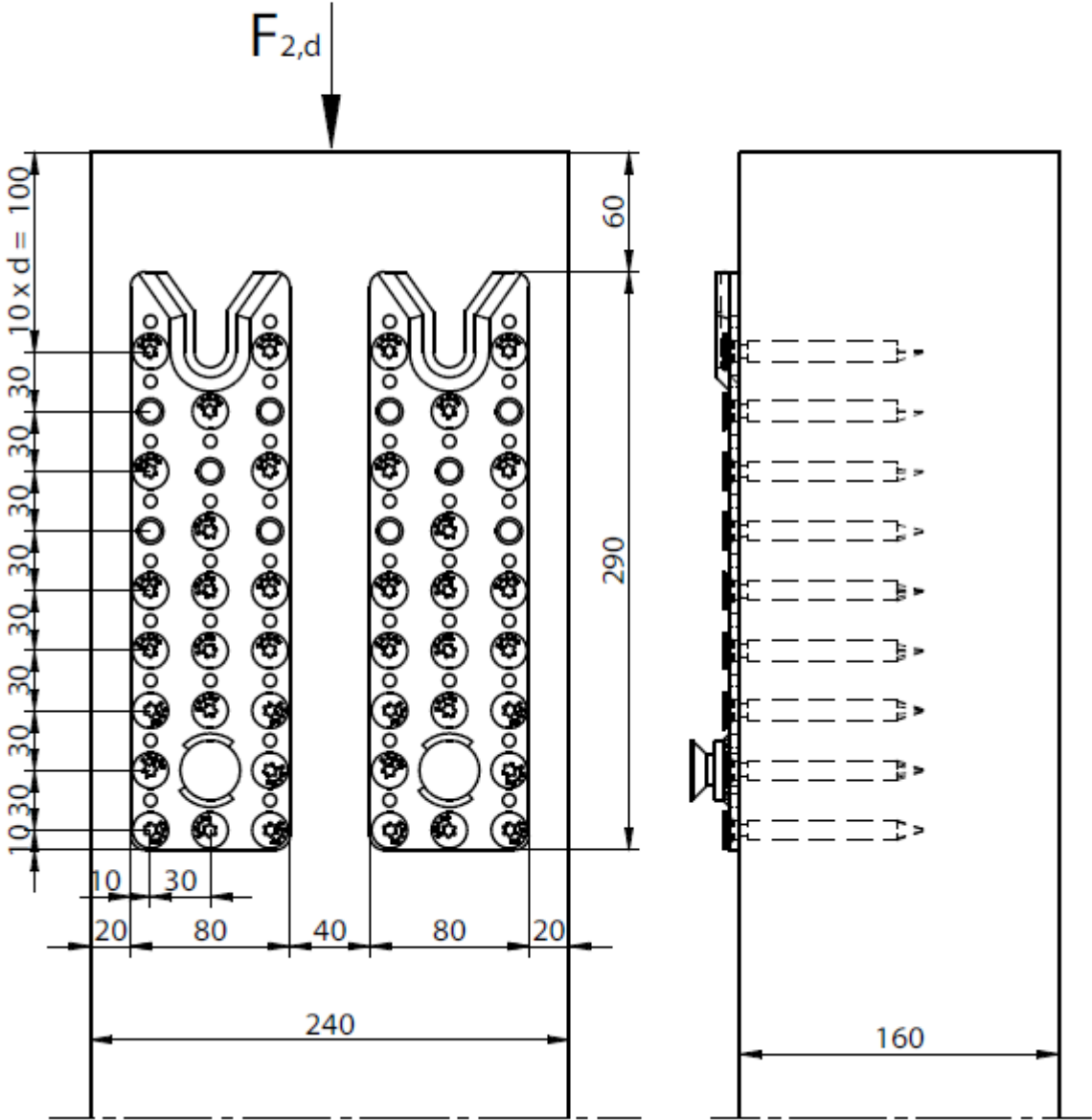
2x RICON S 200x80 VS 2x 13 CS 10x100



RICON® S

Double RICON® S 290x80 VS post connection
Minimum cross section of the posts

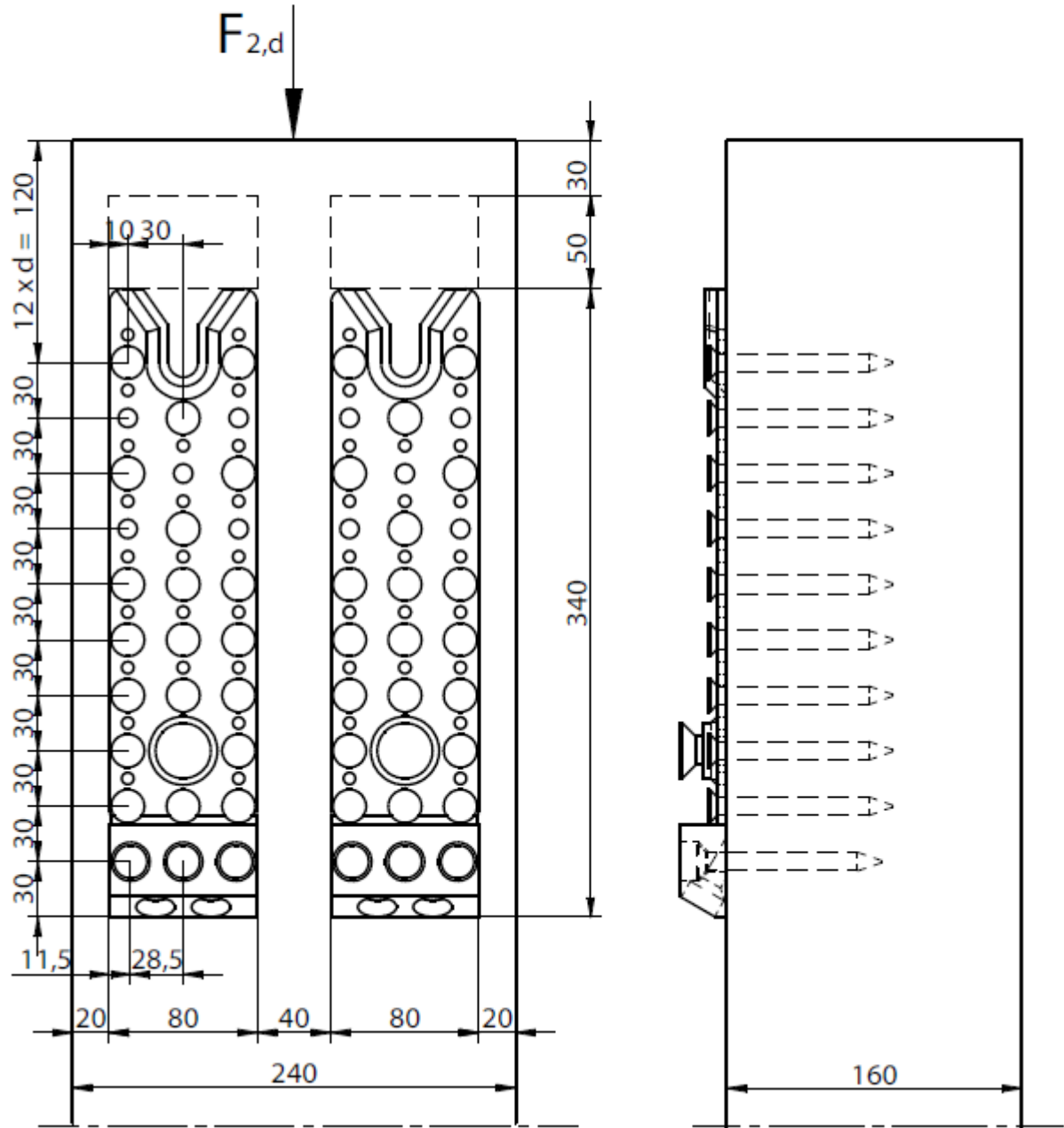
2x RICON S 290x80 VS 2x 20 CS 10x100



RICON® S

Double RICON® S 390x80 VS+ZP post connection
Minimum cross section of the posts

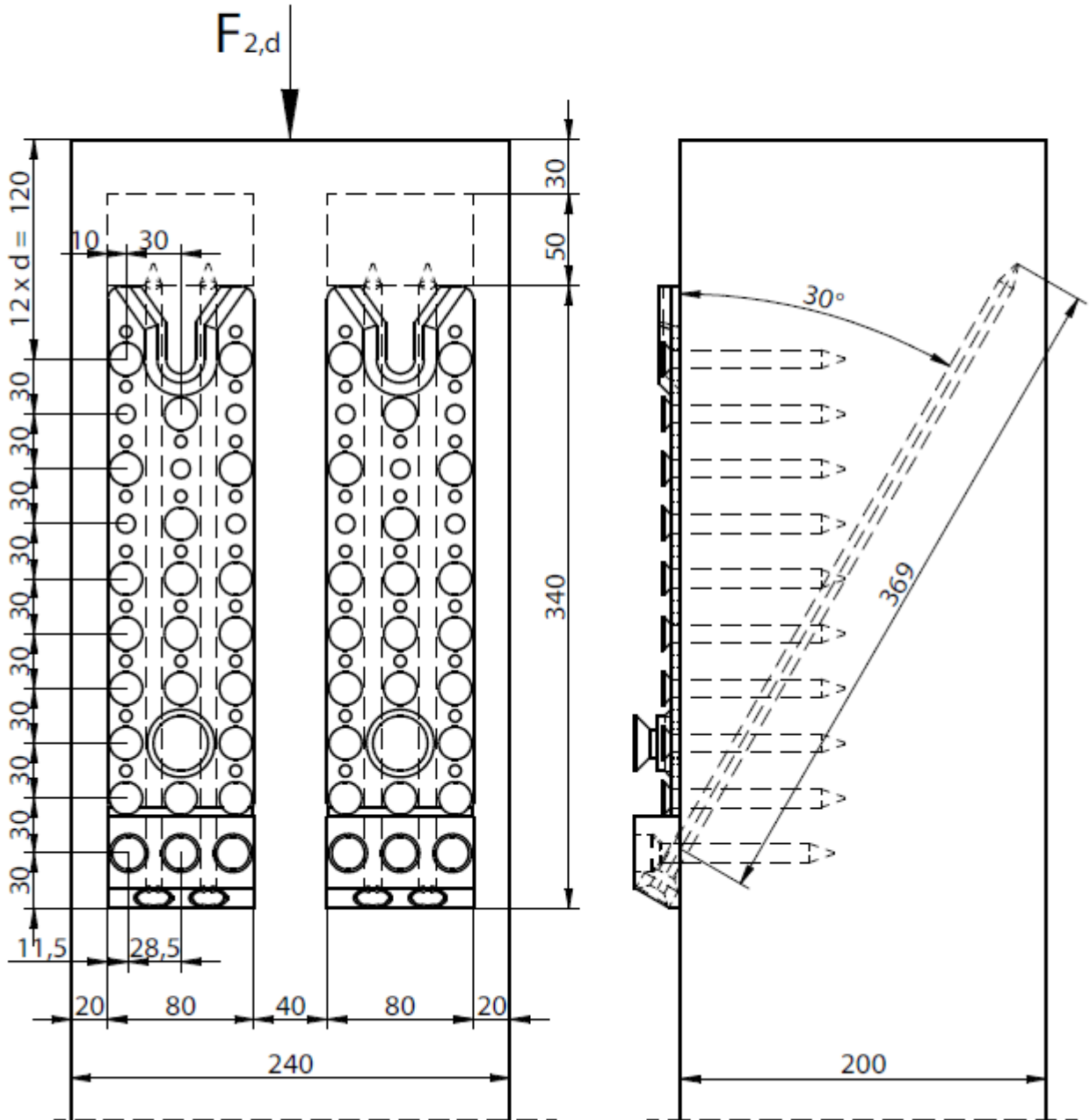
2x RICON S 390x80 VS+ZP 2x 23 CS 10x100



RICON® S

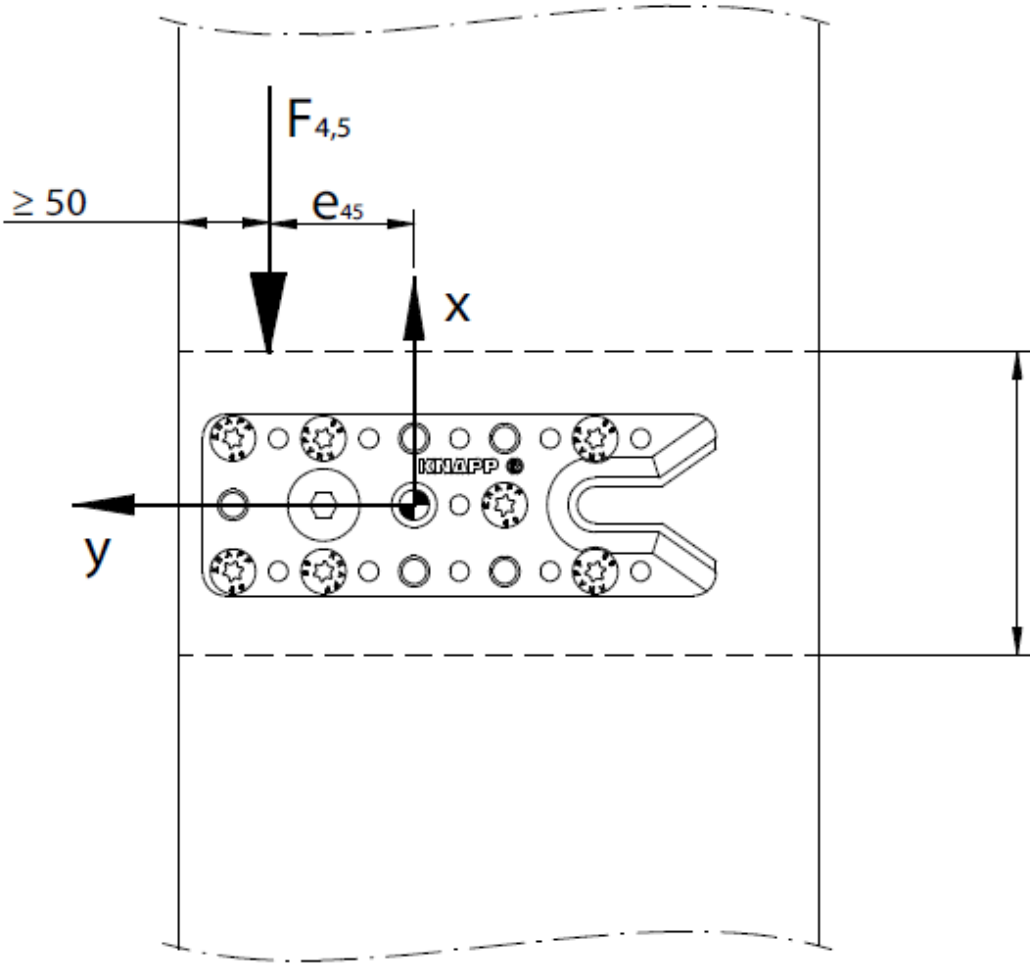
Double RICON® S 390x80 VS+ZP post connection Minimum cross section of the posts

2x RICON S 390x80 VS+ZP 2x 23 CS 10x100 +2x 2 CS 10x400



RICON® S

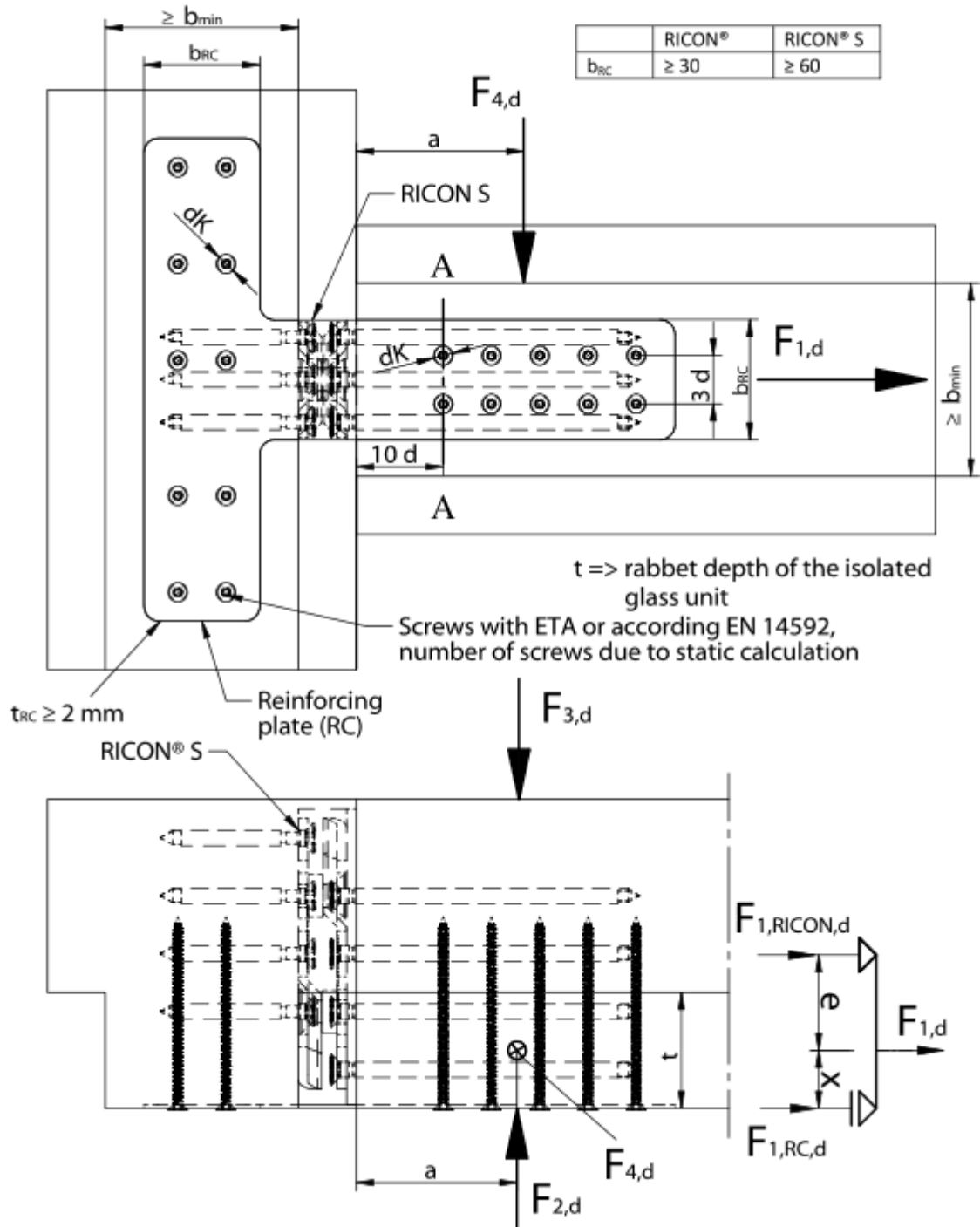
Eccentric loading



⊕ Centre of gravity of screw pattern

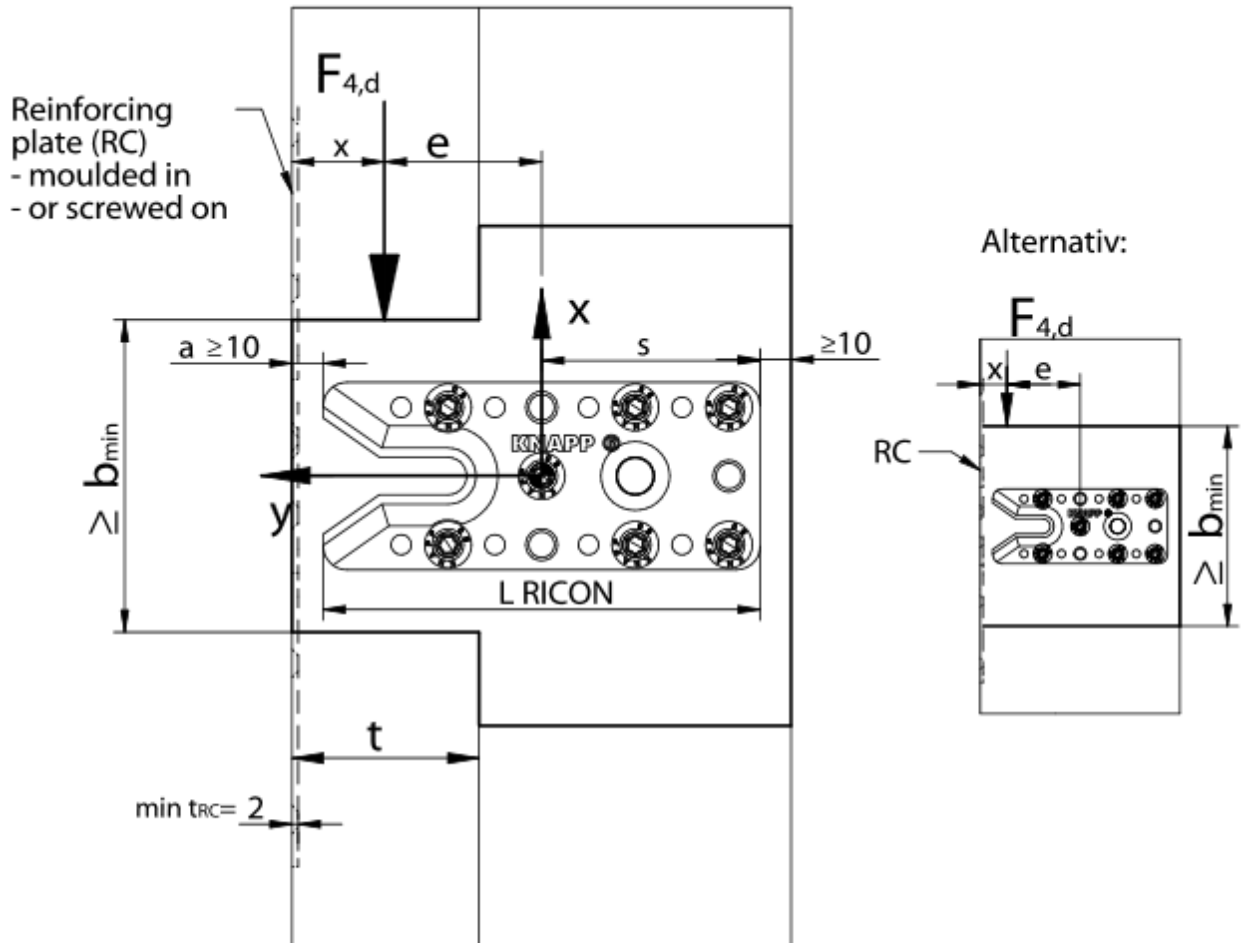
RICON® / RICON® S

Eccentric loading with screwed on reinforcing plate (no alu basic profile)



RICON® / RICON® S

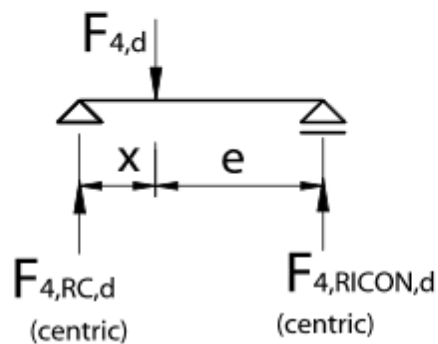
Static system of eccentric loaded RICON® / RICON® S with reinforcing plate:



$$x = (a + L_{RICON}) - (s + e)$$

$$F_{4,RC,d} = \frac{F_{4,d} \cdot e}{(e + x)}$$

$$F_{4,RICON,d} = \frac{F_{4,d} \cdot x}{(e + x)}$$



t => rabbet depth of the isolated glass unit
 s => distance to the RICON / RICON S centroid

RICON® / RICON® S**Static calculation of eccentric loaded RICON® / RICON® S with reinforcing plate:**

Calculation of the reaction $F_{4,RC,d}$ and $F_{4,RICON,d}$:

$$F_{4,RC,d} = \frac{F_{4,d} \cdot e}{(e + x)} ; F_{4,RICON,d} = \frac{F_{4,d} \cdot x}{(e + x)} \quad (\text{load } F_1 \text{ is similar calculated})$$

$$x = (a + L_{RICON}) - (s + e)$$

Structural analysis RICON / RICON S connector:

$$\left(\frac{F_{4,RICON,d}}{F_{45,Rd}} \right) \leq 1,0 \quad \text{RICON / RICON S design value } F_{45,Rd} \text{ with } e_{45} = 0$$

Structural analysis reinforcing plate screwing:

$$\left(\frac{F_{4,RC,d}}{n_{ef} \cdot F_{V,Rd}} \right) \leq 1,0 \quad n_{ef} = n^{0,9}$$

$$F_{V,Rd} = \frac{k_{mod}}{\gamma_M} \cdot \min \left\{ \begin{array}{l} 0,4 \cdot f_{h,k} \cdot l_{ef} \cdot d \\ 1,15 \cdot \sqrt{2 \cdot M_{y,Rk} \cdot f_{h,k} \cdot d} + \frac{F_{ax,Rk}}{4} \end{array} \right.$$

$$f_{h,k} = 0,082 \cdot \rho_k \cdot d^{-0,3}$$

$M_{y,Rk}$ (see DoP of screws with ETA, EN14592)

$$F_{ax,Rk} = n \cdot f_{ax,k} \cdot k_{ax} \cdot d \cdot l_{ef} \cdot \left(\frac{\rho_k}{\rho_a} \right)^{0,8} ; n=1; k_{ax}=1,0 \text{ at } 45^\circ - 90^\circ; l_{ef} = L_{screw} - t_{RC}$$

$\sigma_a = 350 \text{ kg/m}^3$; $f_{ax,k}$ (screws with ETA)

Structural analysis of the reinforcing plate in section A-A (page 144):

$$\frac{\sigma_d}{R_{P,02,d}} = \frac{F_{res,d}}{A_n \cdot R_{p,02,d}} \leq 1,0$$

$$F_{res,d} = \sqrt{F_{1,RC,d}^2 + F_{4,RC,d}^2} ;$$

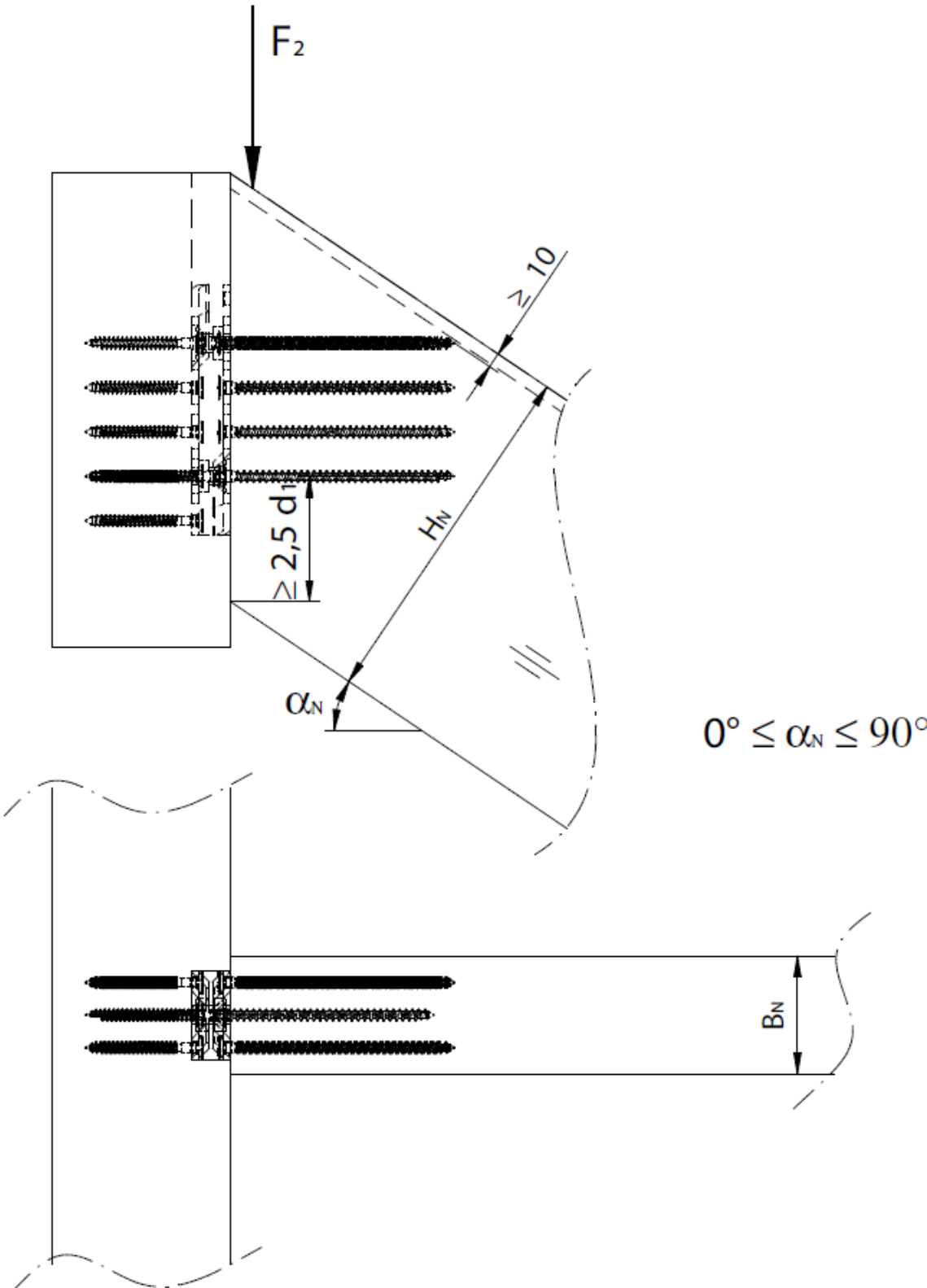
$$A_n = (b_{RC} - n \cdot d_K) \cdot t_{RC}$$

Structural analysis of RICON/ RICON S connection:

$$\left(\frac{F_{1,RICON,d}}{F_{1,Rd}} \right)^2 + \left(\frac{F_{2,d}}{F_{2,Rd}} \right)^2 + \left(\frac{F_{4,RICON,d}}{F_{4,Rd}} \right)^2 \leq 1,0 \text{ and } \left(\frac{F_{3,d}}{F_{3,Rd}} \right) \leq 1,0$$

RICON® S

Tilted joint

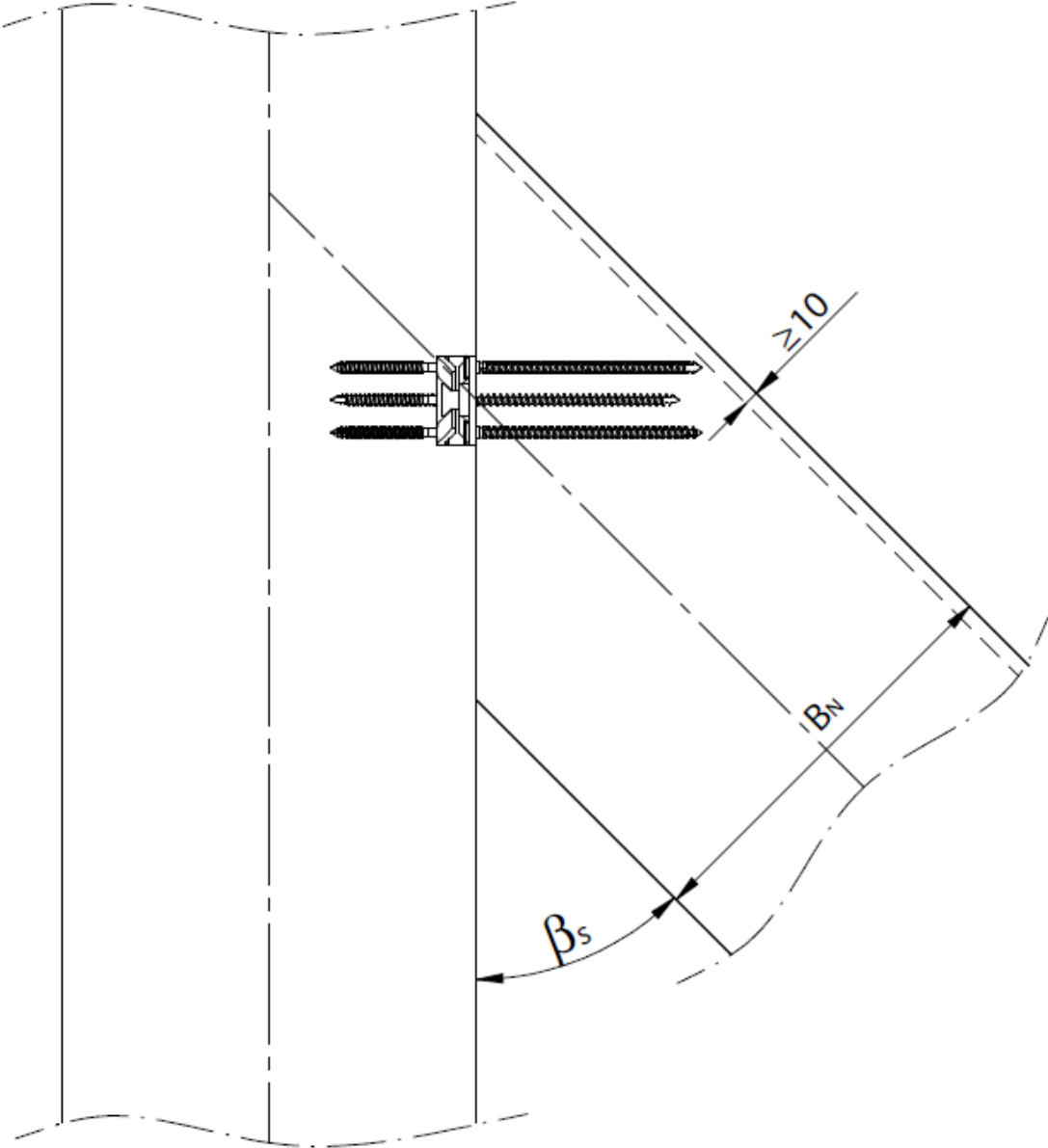


Screw length can be adopted to fit in secondary beam!

RICON® S

Tilted joint

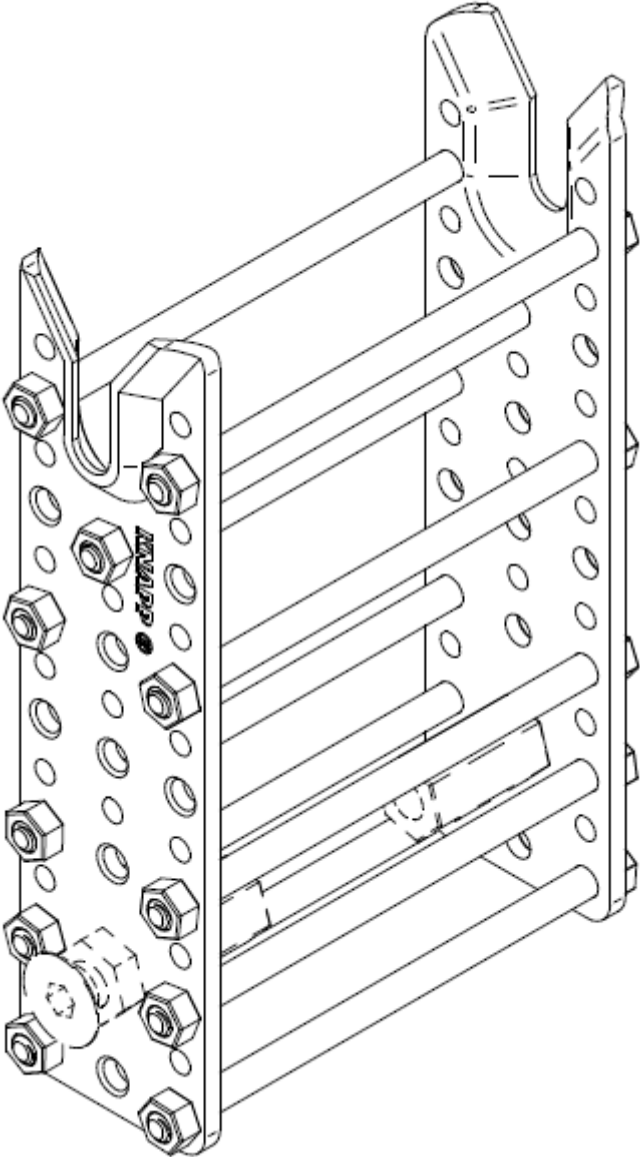
Screw length can be adopted to fit in secondary beam



$$35^\circ \leq \beta_s \leq 90^\circ$$

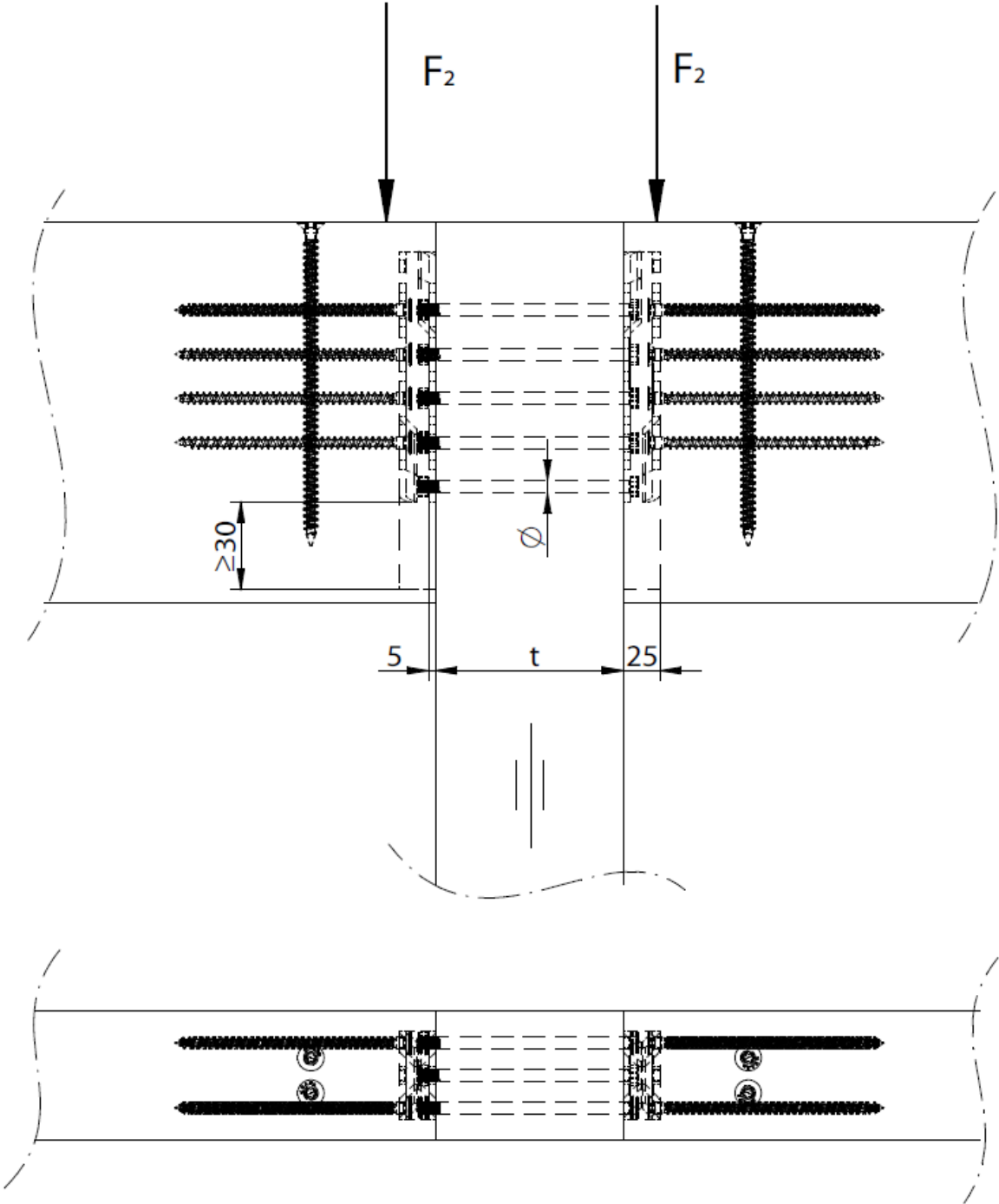
RICON® S

Wood-to-wood joint with bolts



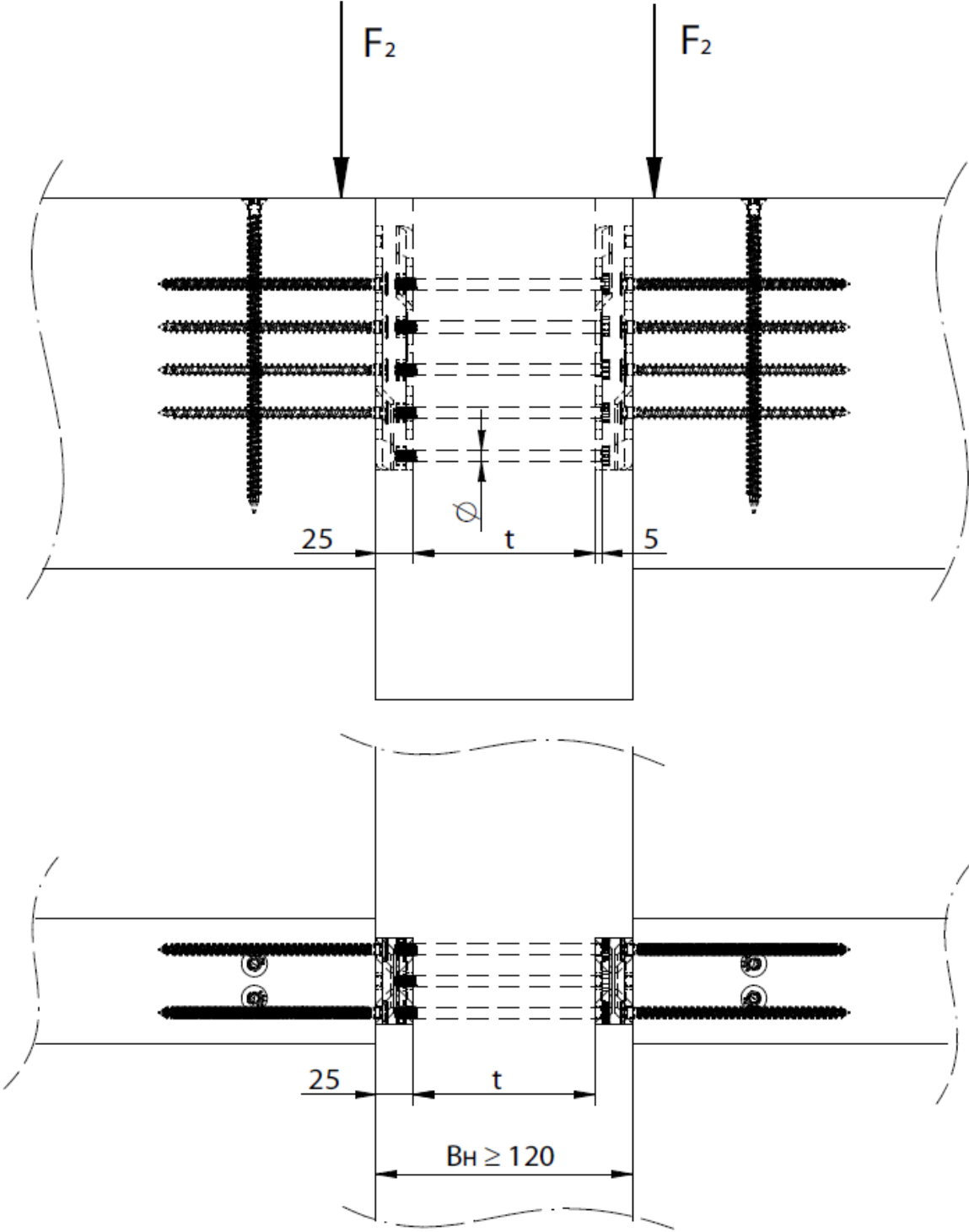
RICON® S

Wood-to-wood joint with bolts and reinforcement screws in the joists



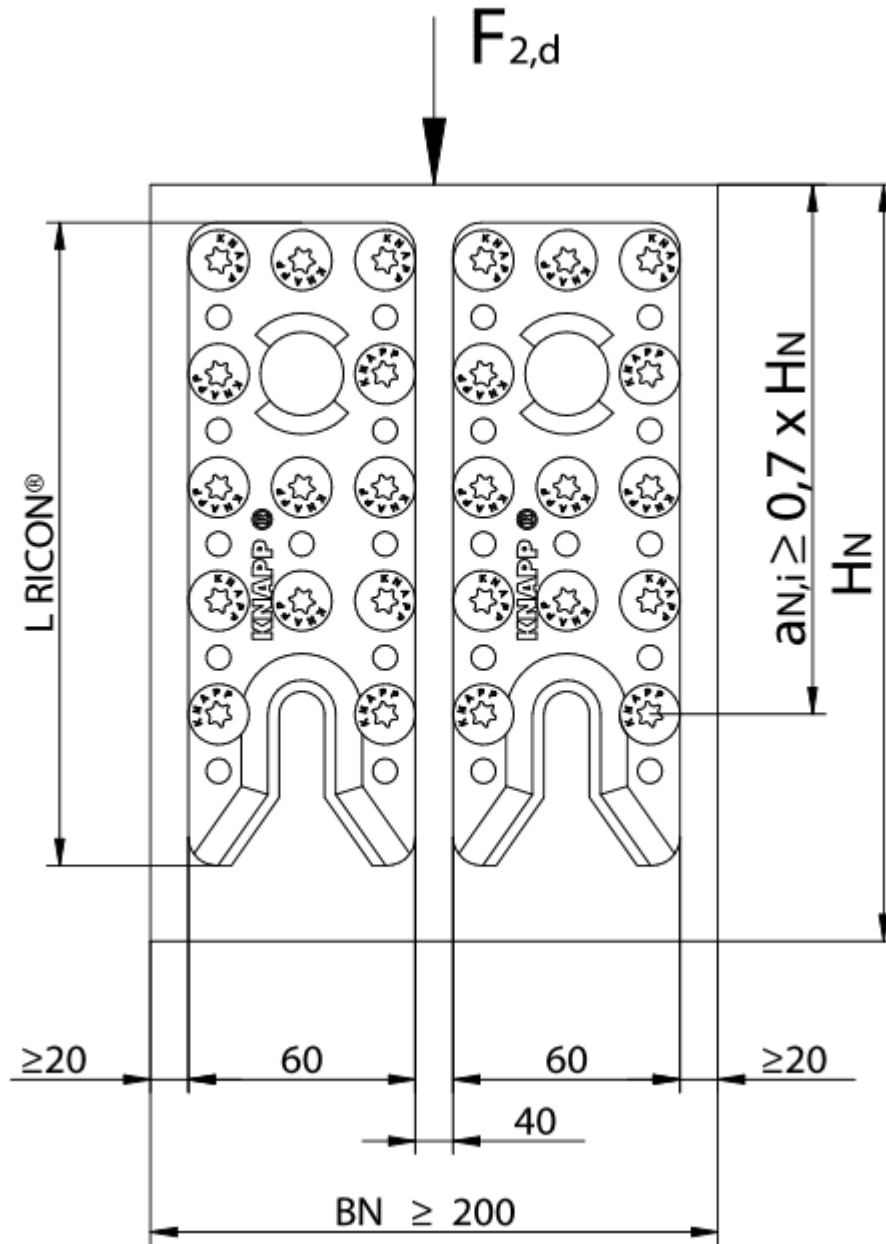
RICON® S

Wood-to-wood joint with bolts and reinforcement screws in the joists



RICON® S

Double RICON® S60 connection



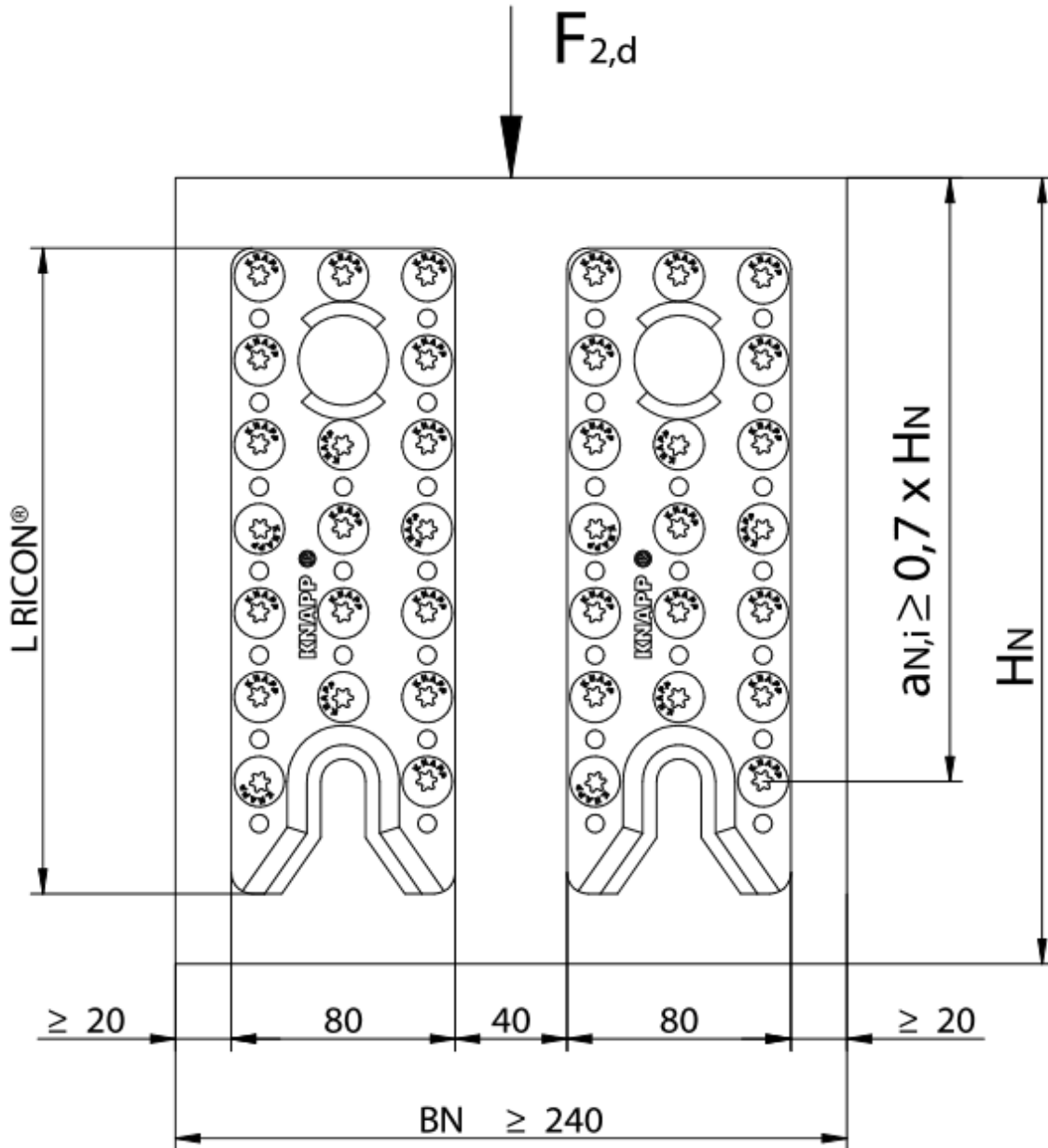
Double timber beam width of single RICON allows to calculate with double load $F_{2,Rd}$.

RICON® S60		Minimum cross section	
width	height	width	height
60	140	200	160
	170		190
	200		220
	230		250

RICON® S

Double RICON® S80 connection

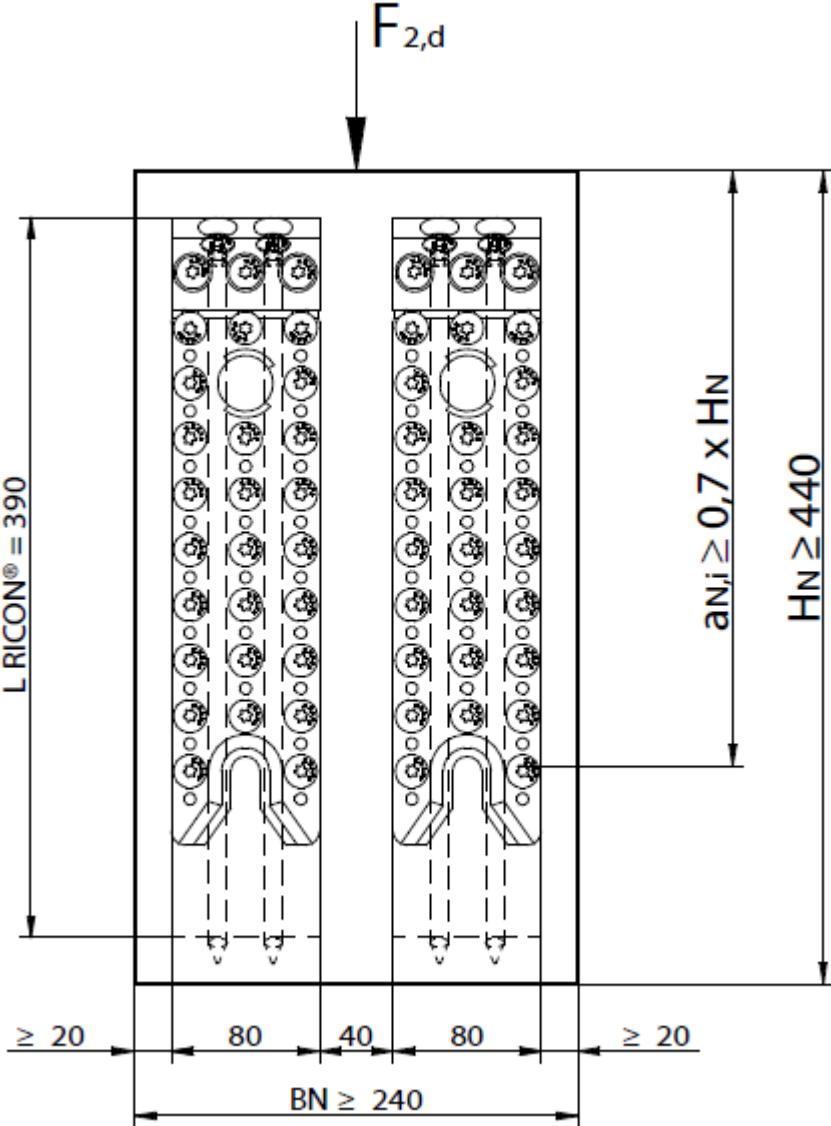
Double timber beam width of single RICON allows to calculate with double load $F_{2,Rd}$.



RICON® S80		Minimum cross section	
width	height	width	height
80	200	240	230
	230		260
	260		290
	290		320

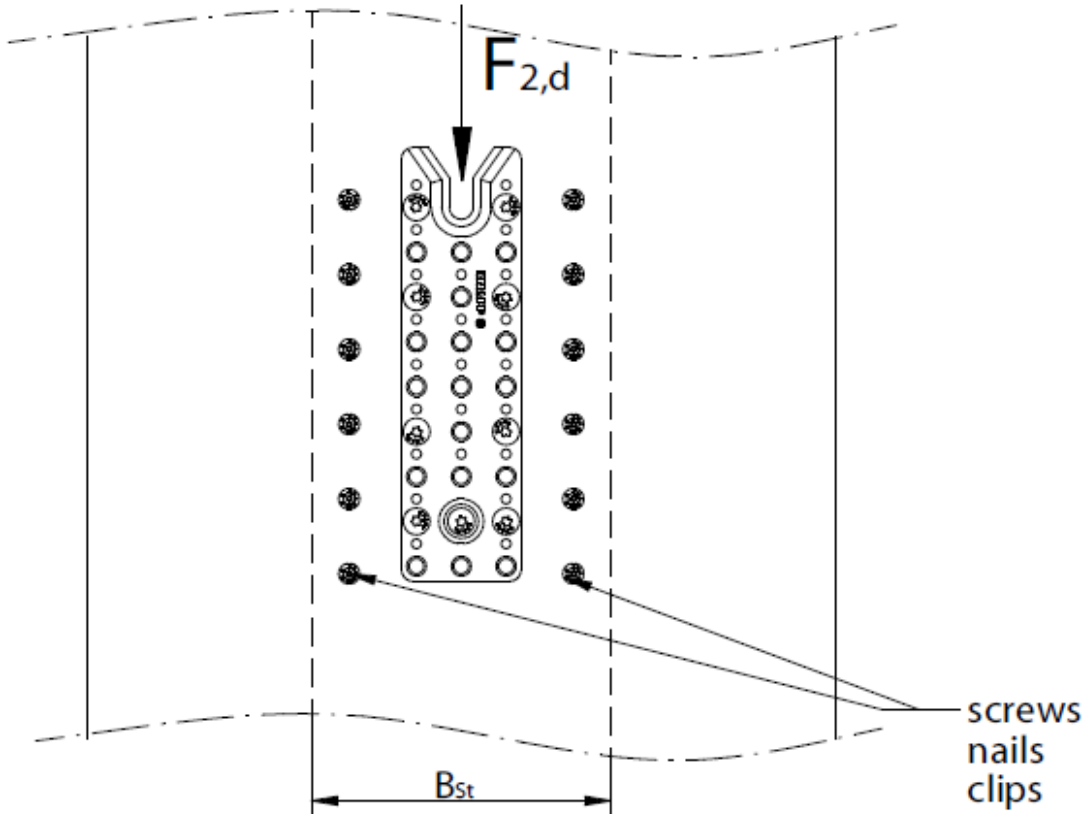
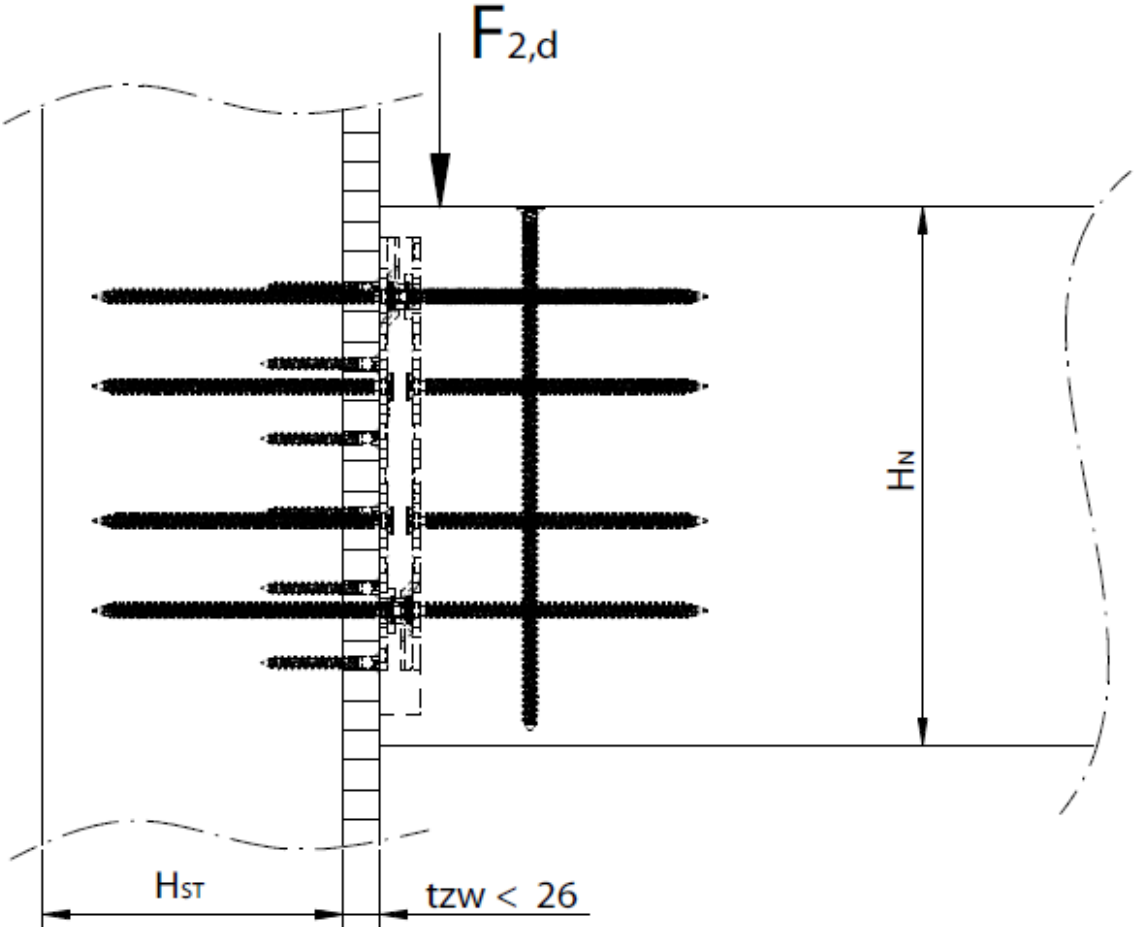
RICON® S

**Double RICON® S 390x80 VS+ZP connection
Minimum cross section**



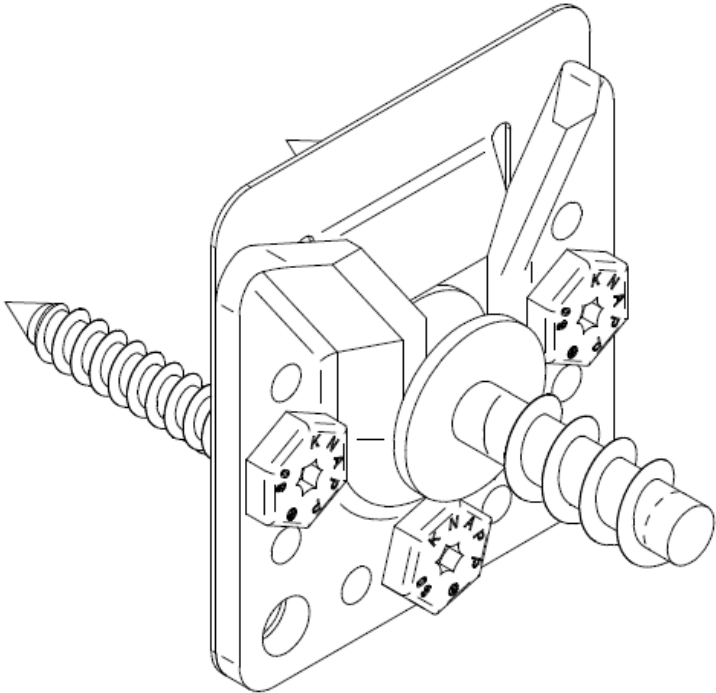
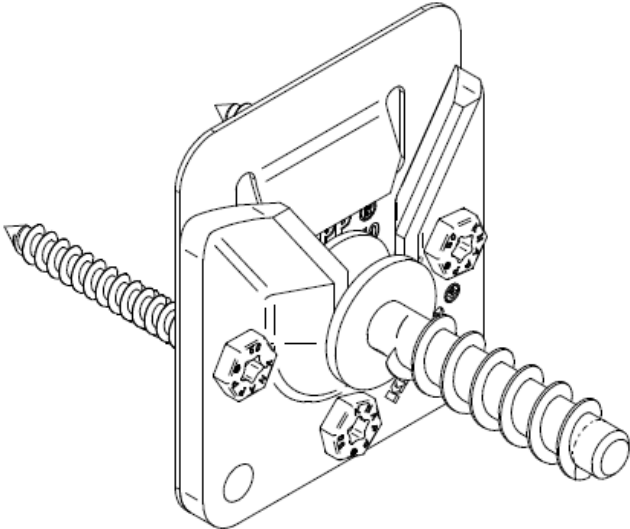
RICON® S

Wood-to-wood joint main beam / secondary beam connection with interlayer



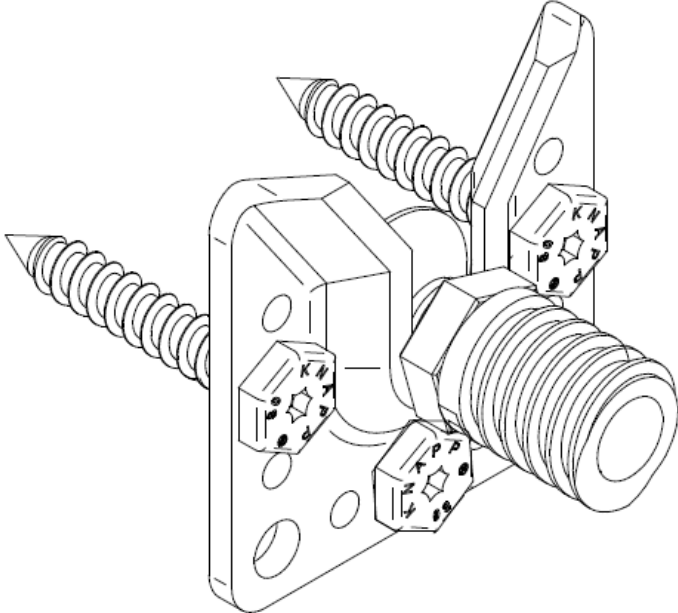
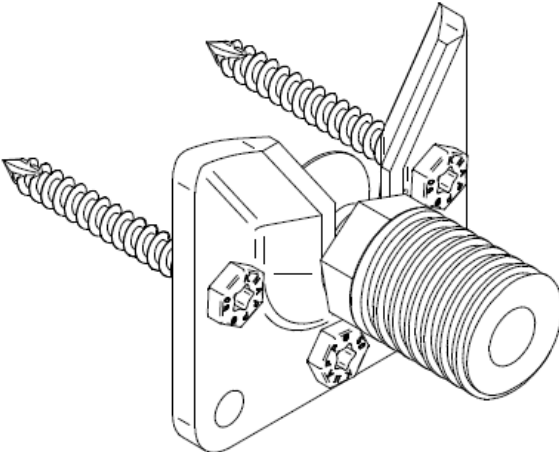
WALCO® V

WALCO® V60 and V80 with collar screw



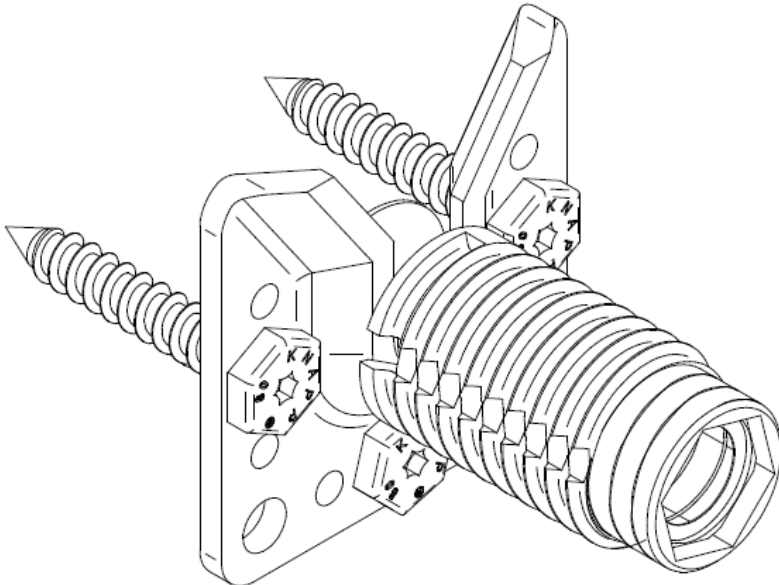
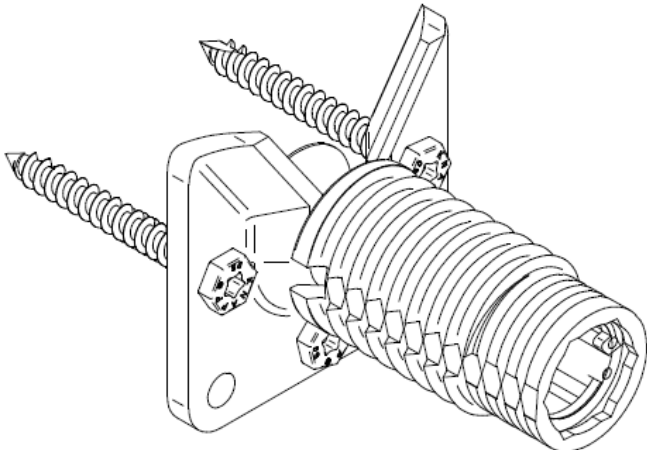
WALCO® V

WALCO® V60 and V80 with retaining screw collar bolt



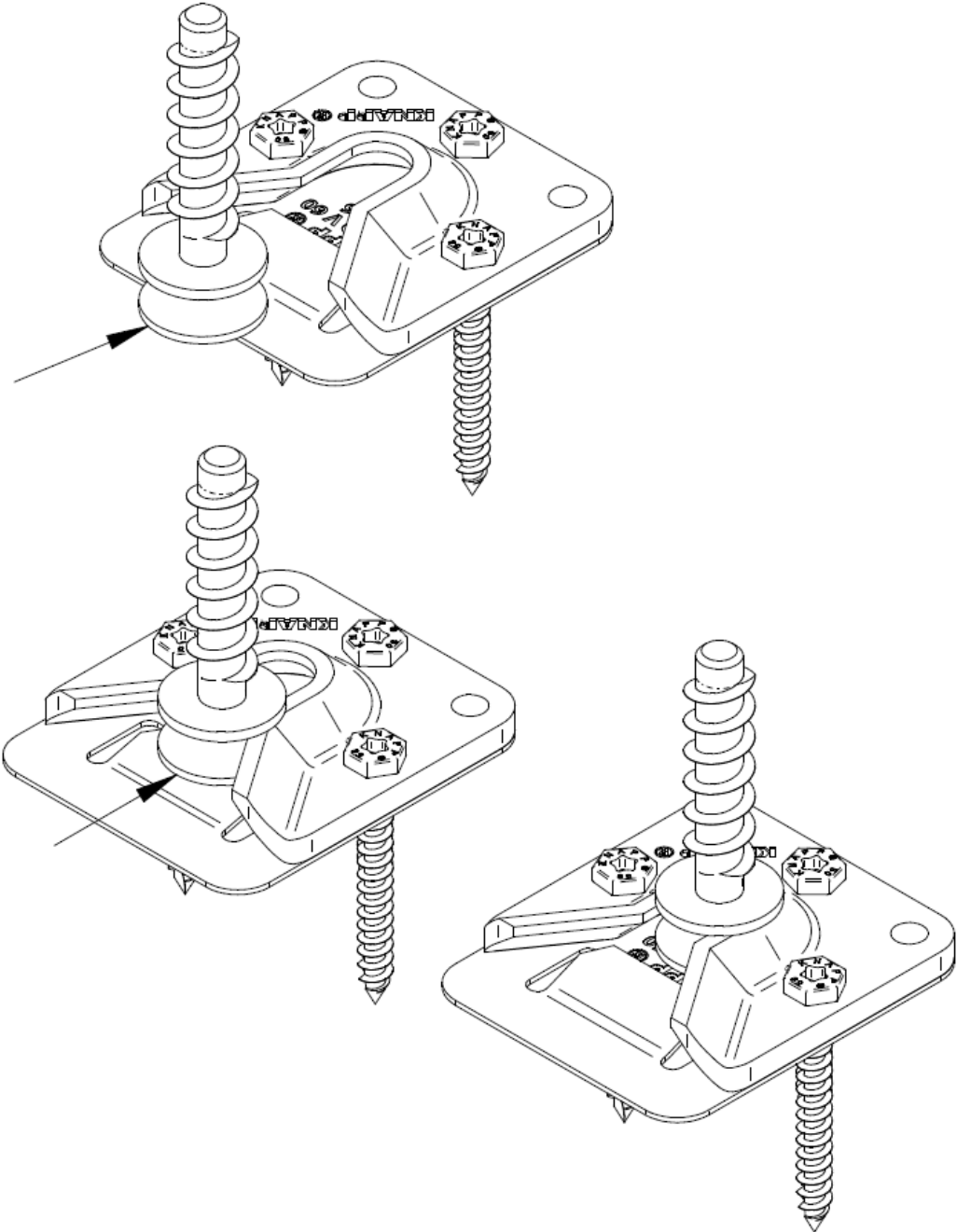
WALCO® V

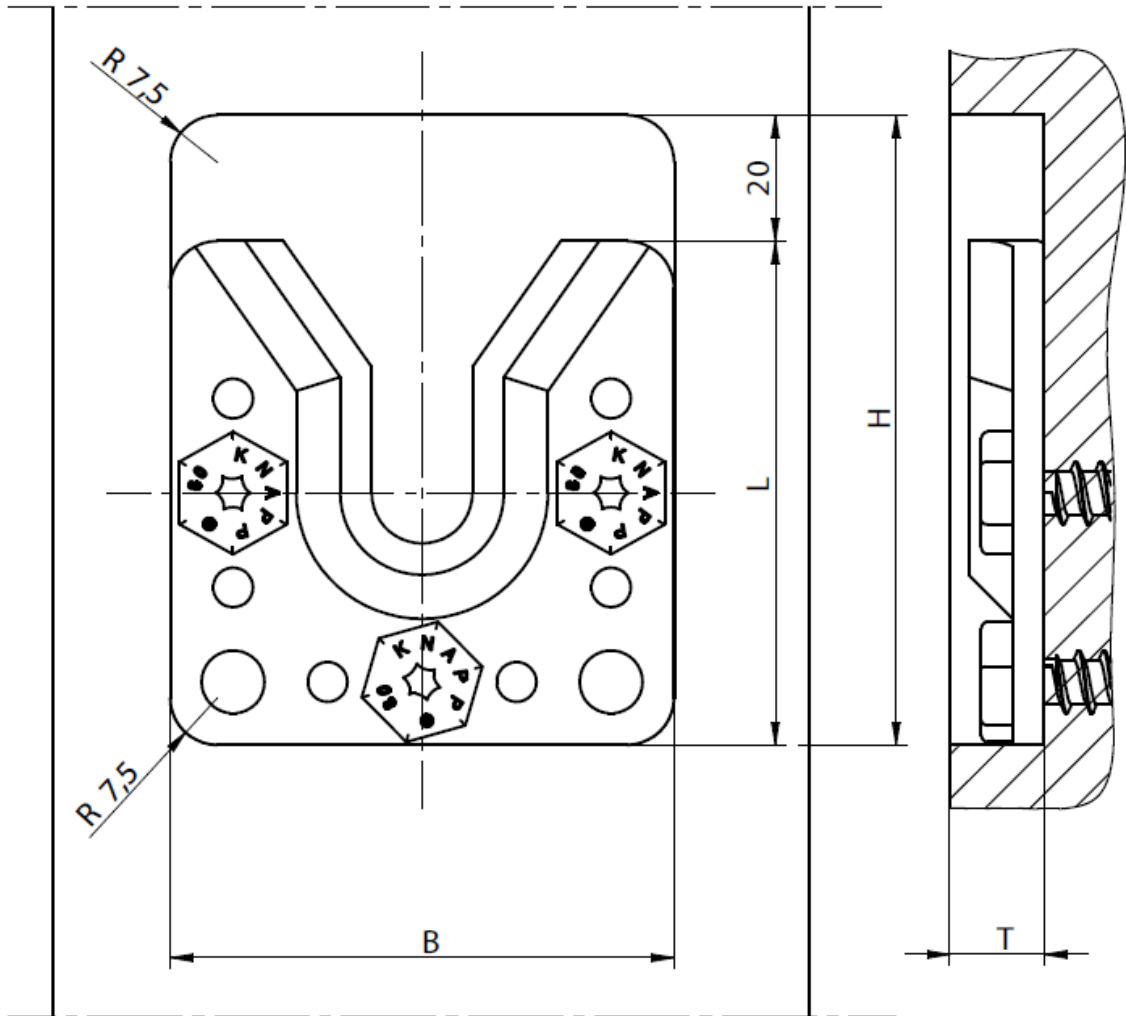
WALCO® V60 and V80 with spring retaining screw collar bolt



WALCO® V

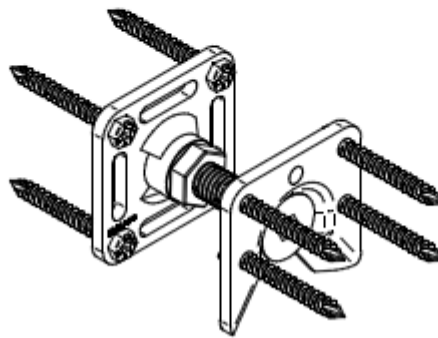
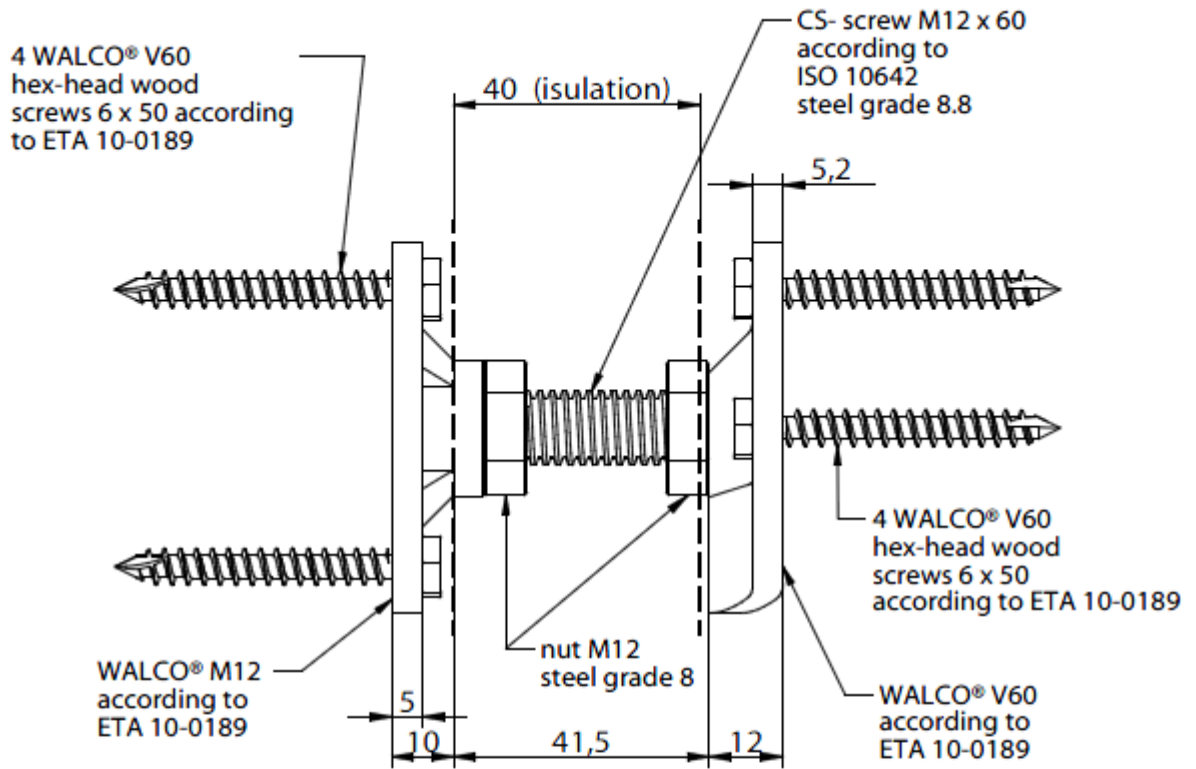
Functional principle clip lock



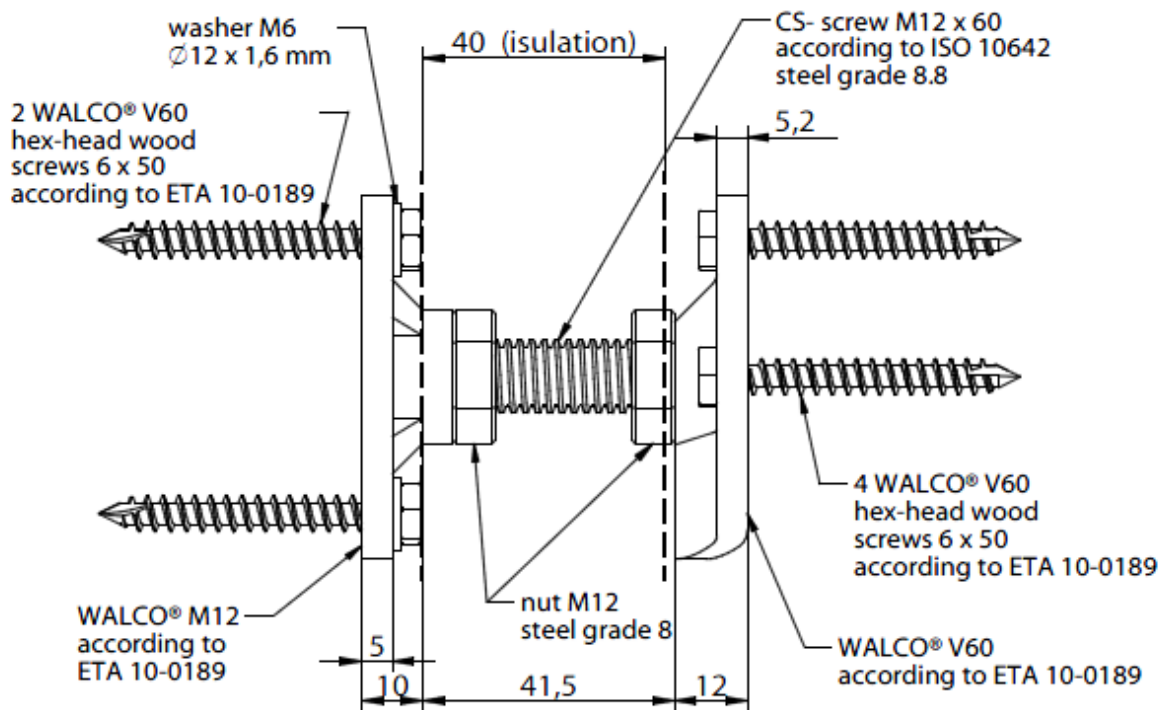


minimum installation			
Joint	measures width B	height H	depth T
WALCO® V60	60 mm	80 mm	≤ 13 mm
WALCO® V80	80 mm	100 mm	≤ 15 mm

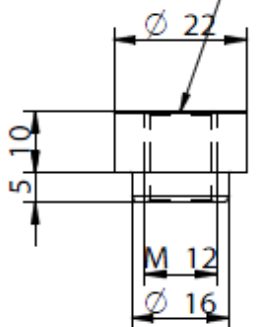
WALCO® 60 M12/V60



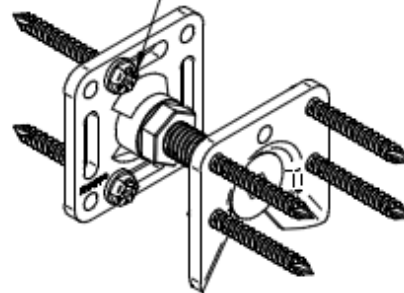
WALCO® V 60 M12 with oblong hole screwing/ V60



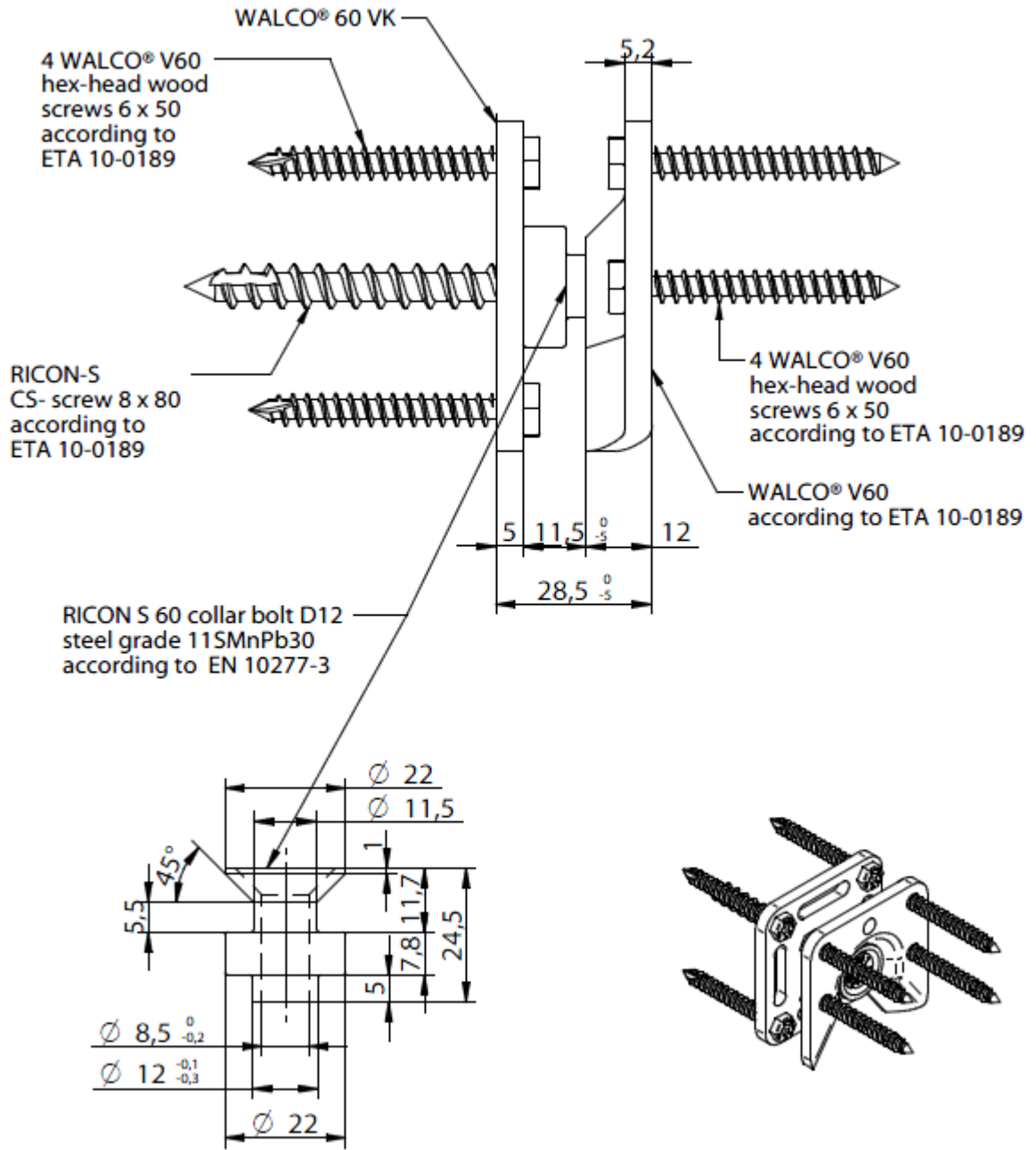
M12 threaded sleeve
steel grade 16MnCr55
according to EN 10277-4



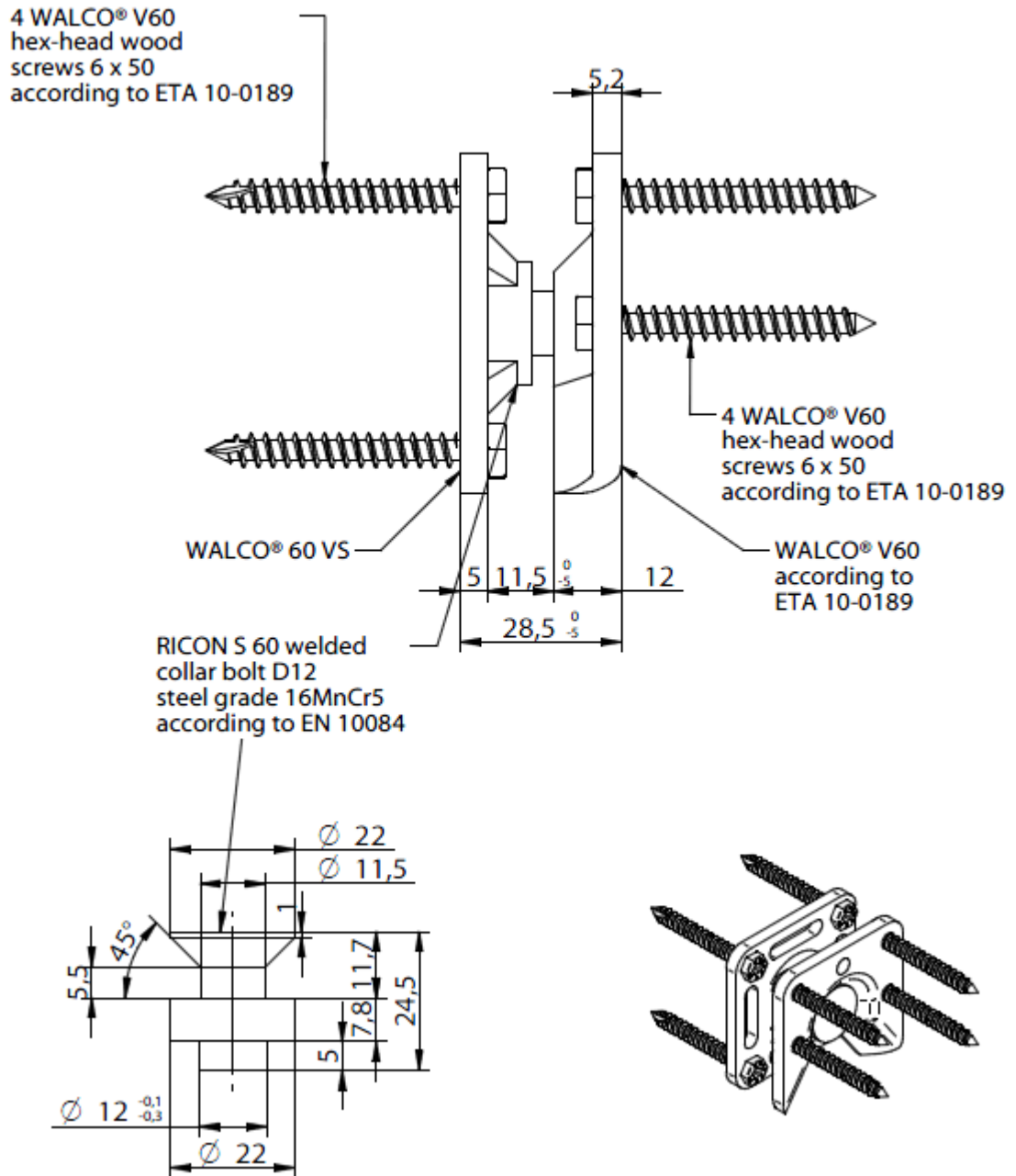
Oblong hole screwing
(max. tolerance compenstion!)



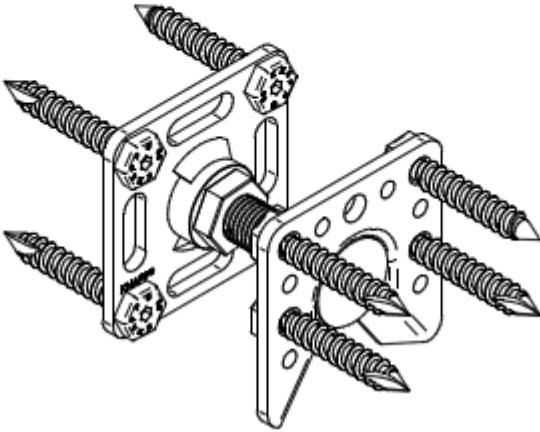
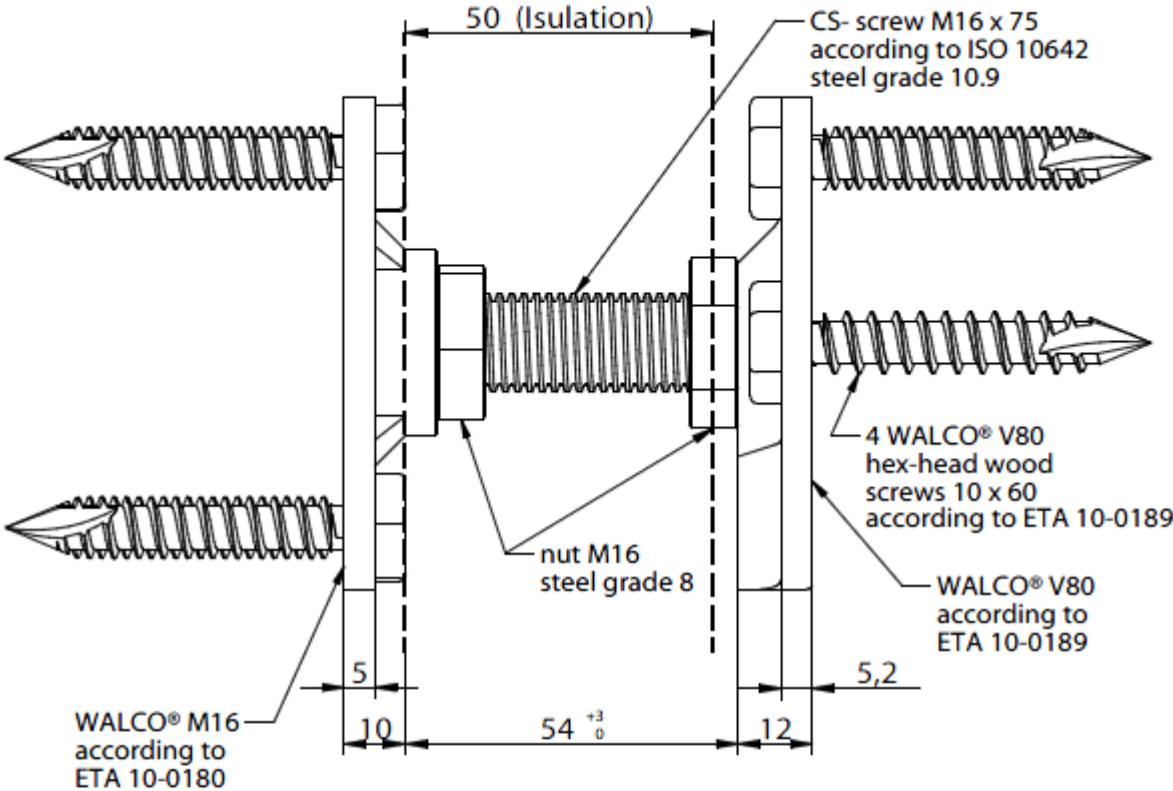
WALCO® 60 VK / V60



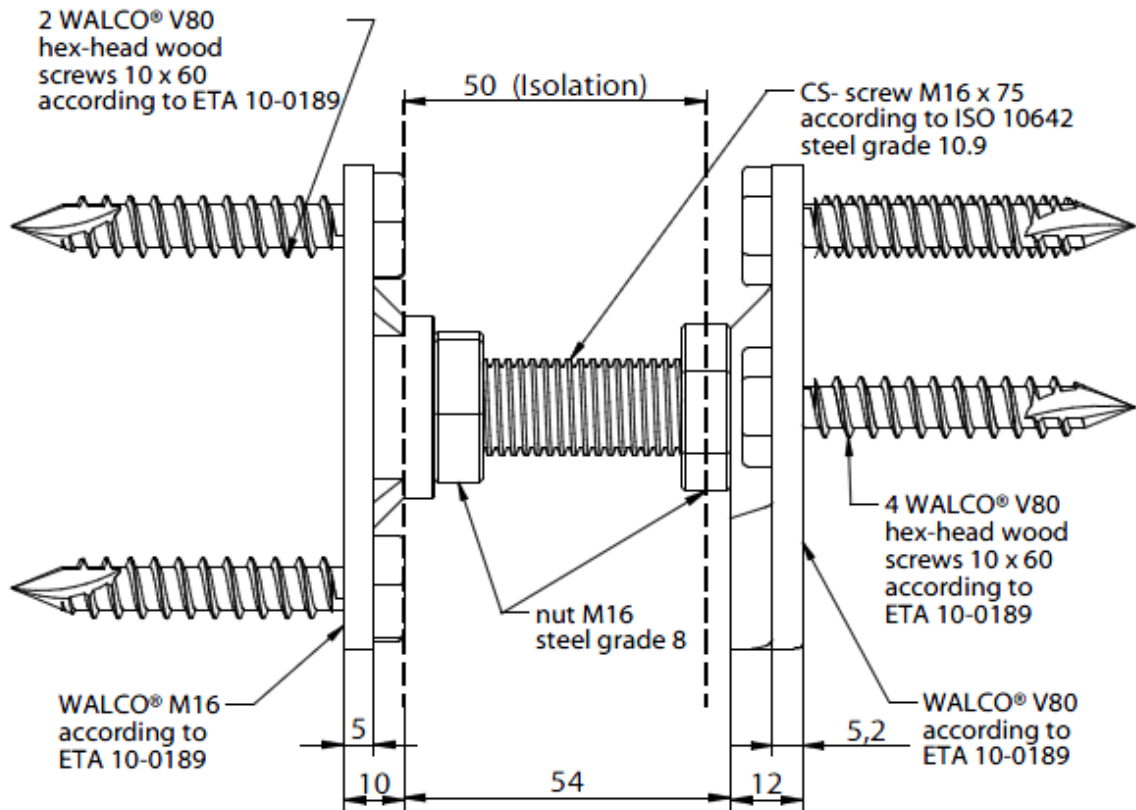
WALCO® 60 VS / V60



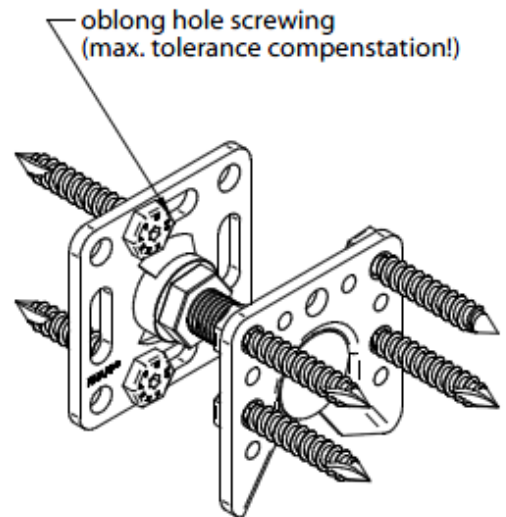
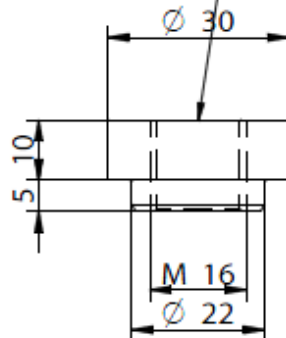
WALCO® 80 M16/V80



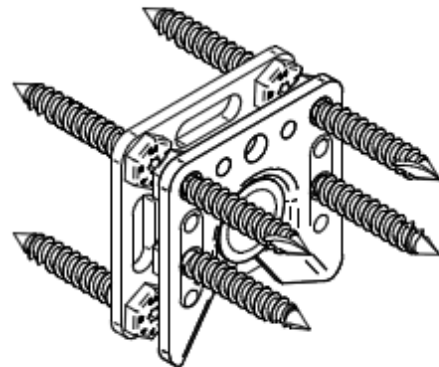
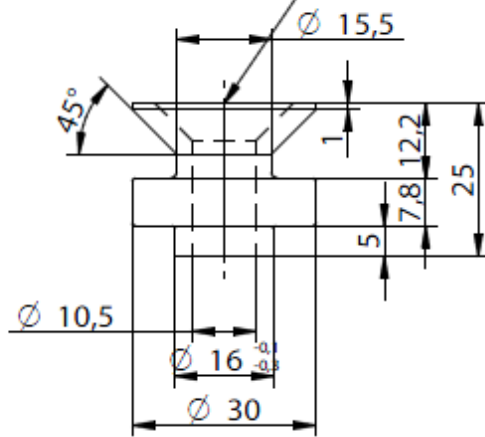
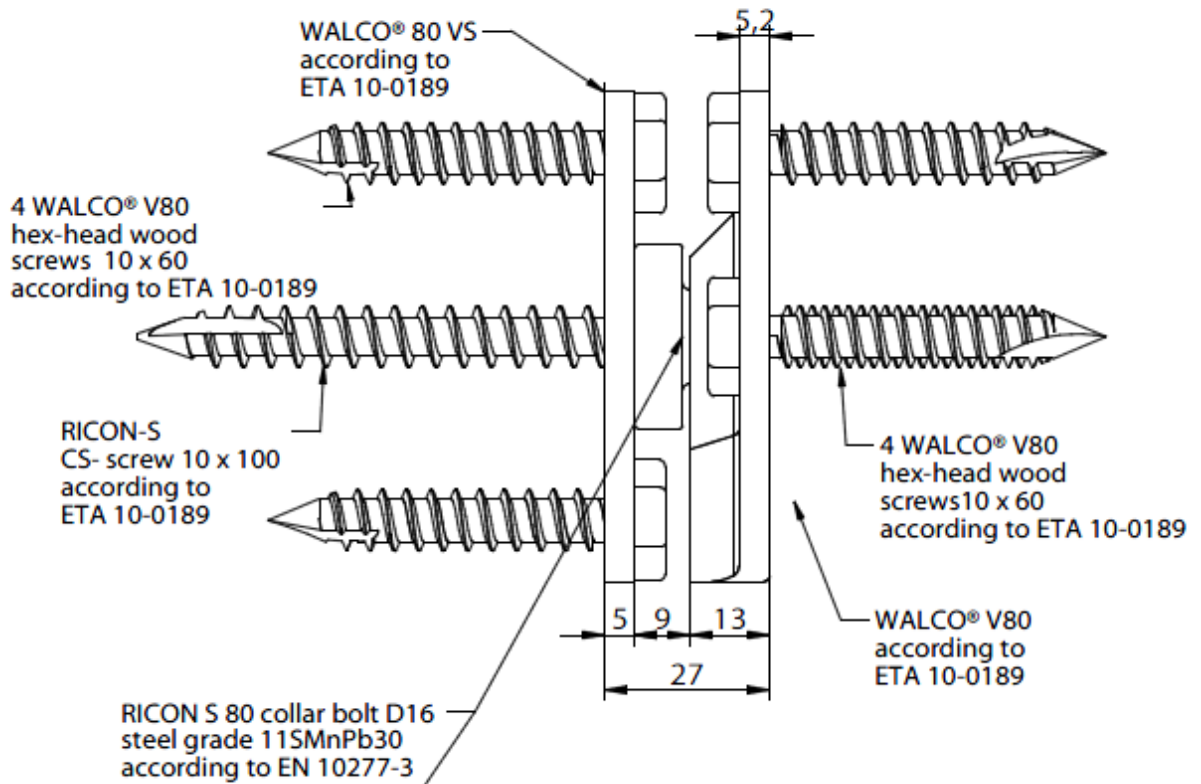
WALCO® V 80 M16 with oblong hole screwing / V80



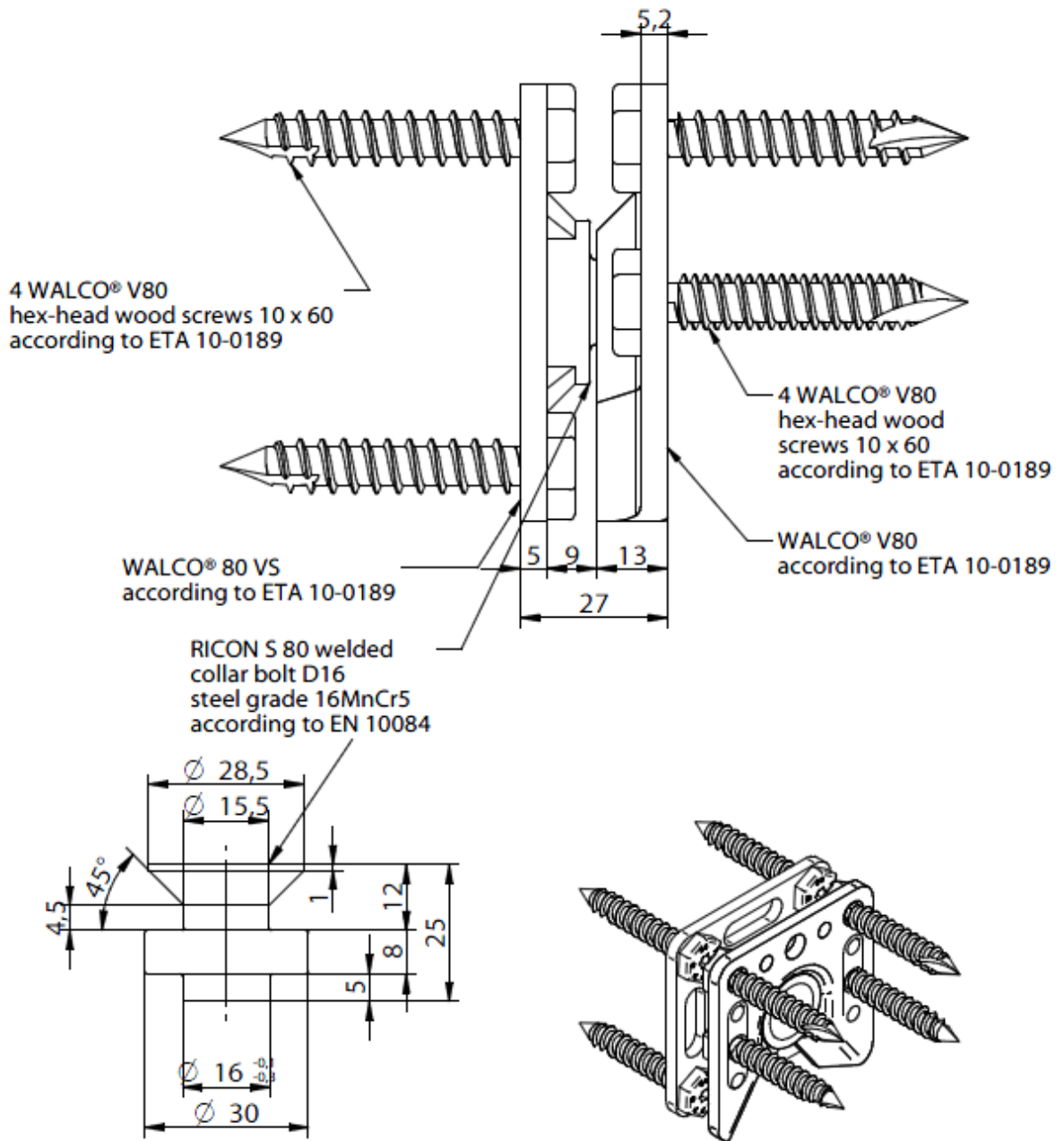
M16 threaded sleeve steel grade 16MnCr55 according to EN 10277-4



WALCO® 80 VK / V80

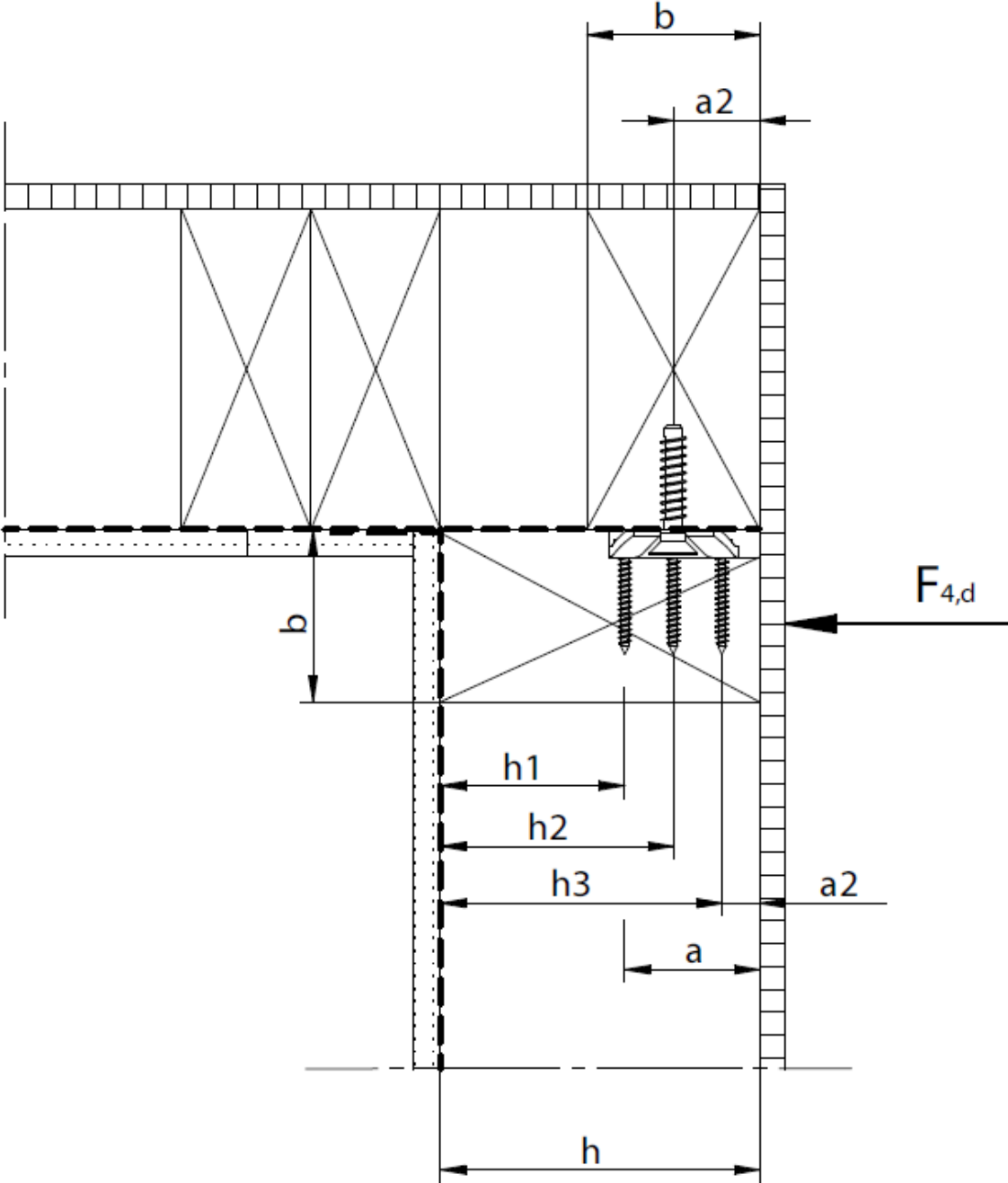


WALCO®80 VS / V80



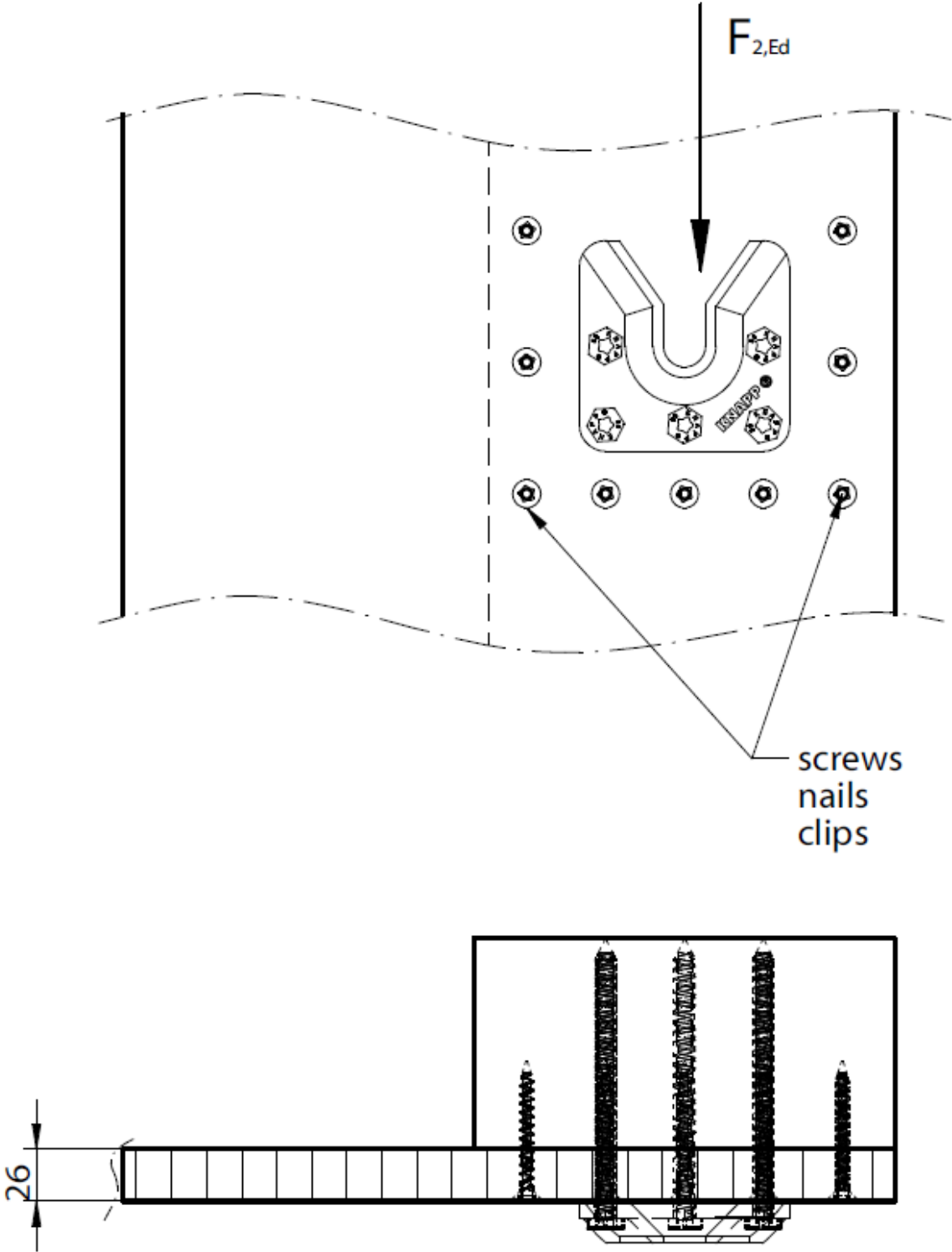
WALCO® V

Load direction F_4 (or opposite direction F_5)



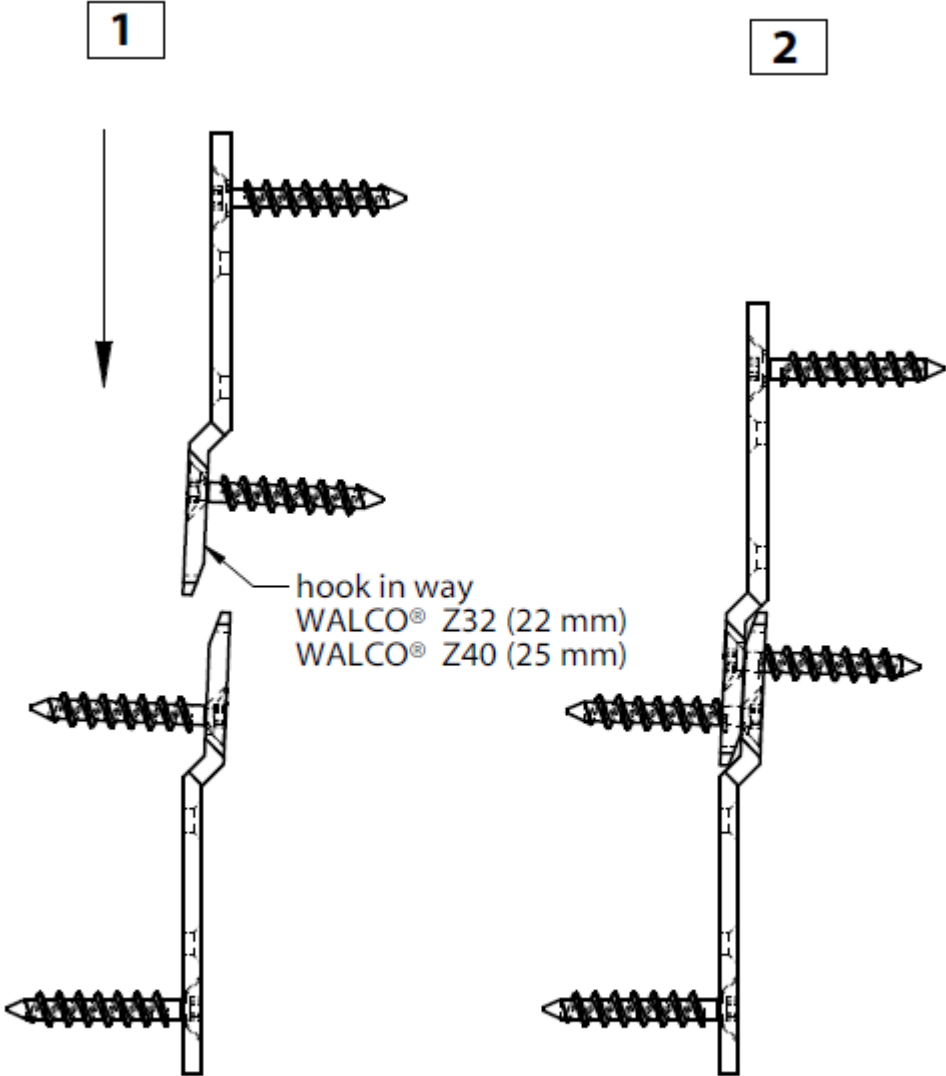
WALCO® V

Joint with interlayer

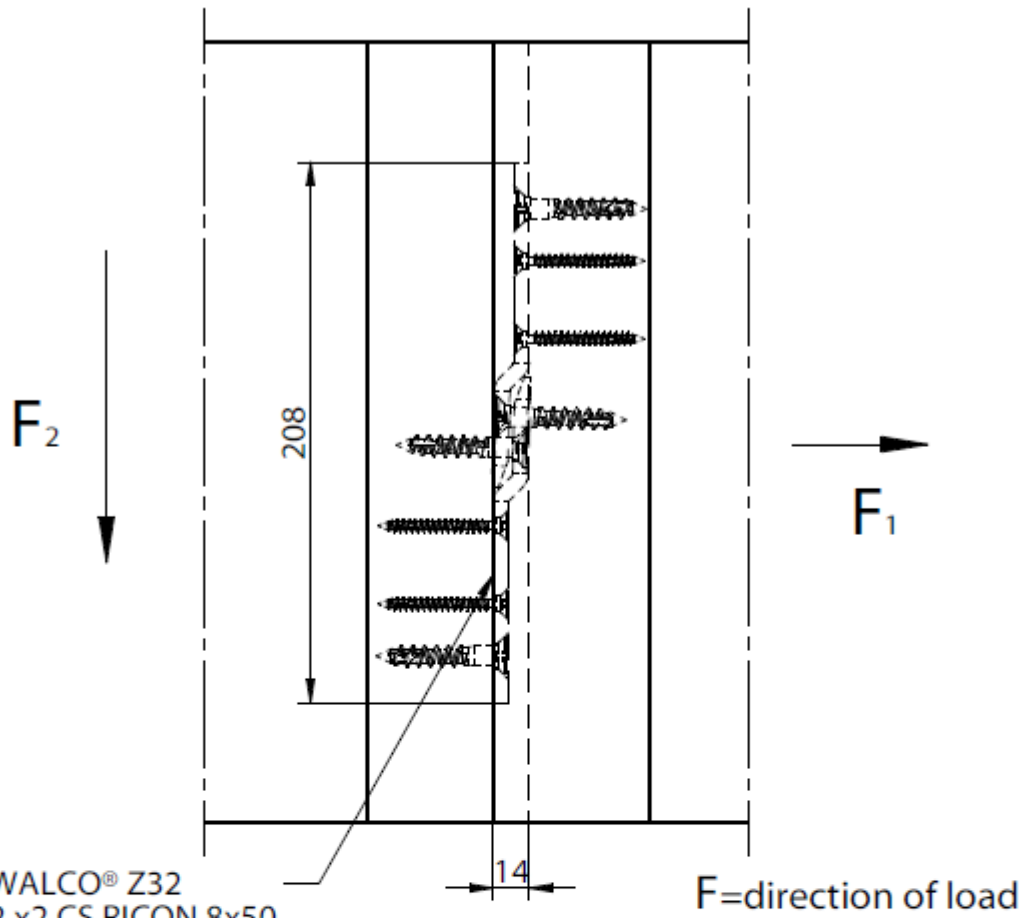


WALCO® Z32/WALCO® Z40

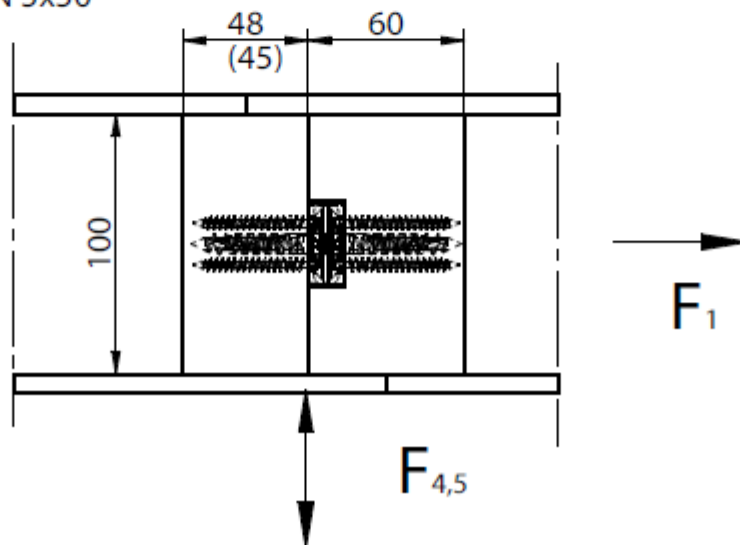
Functional principle



WALCO® Z32
Wood to wood joint

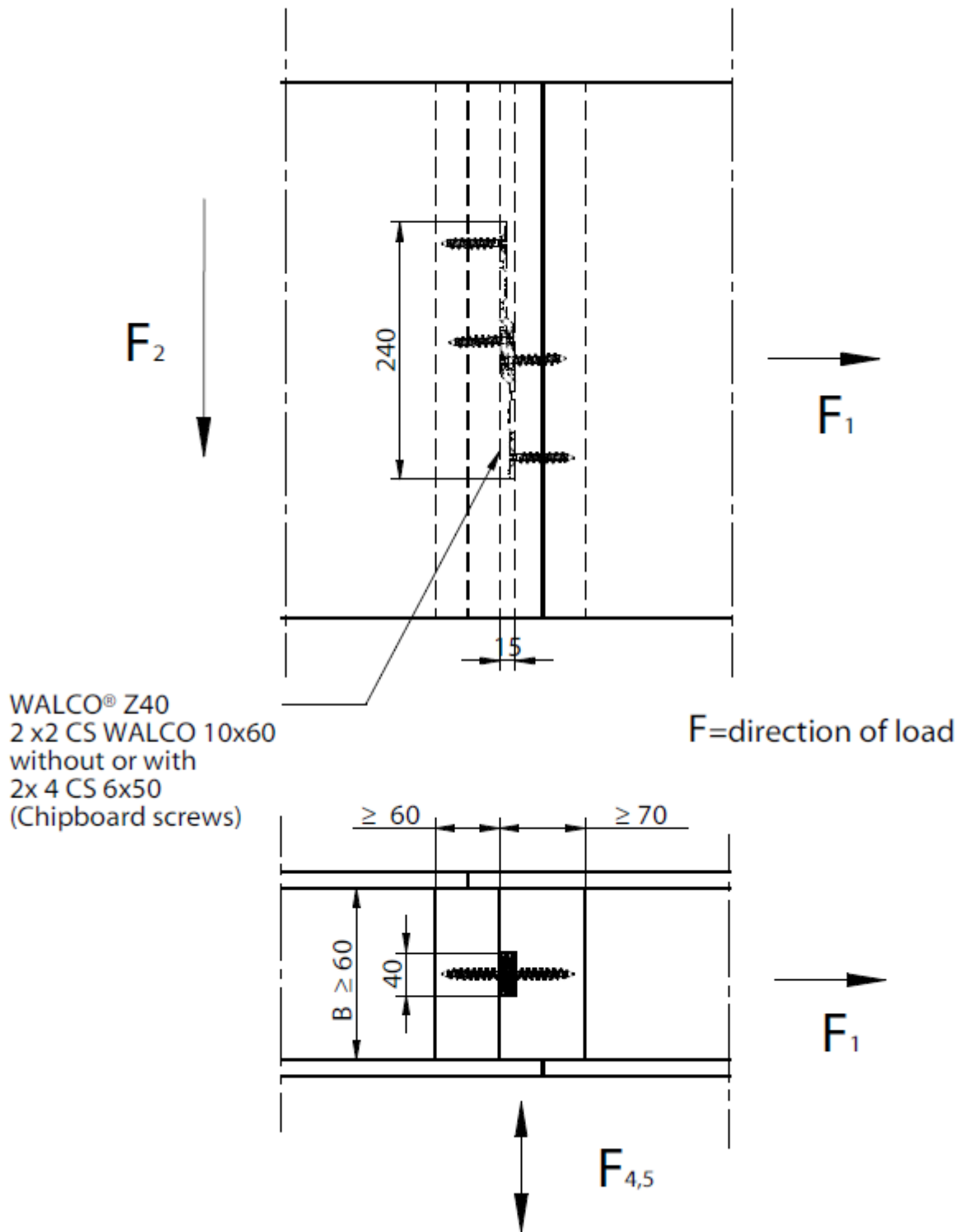


WALCO® Z32
2 x 2 CS RICON 8x50
without or with
2 x 4 CS RICON 5x50



WALCO® Z40

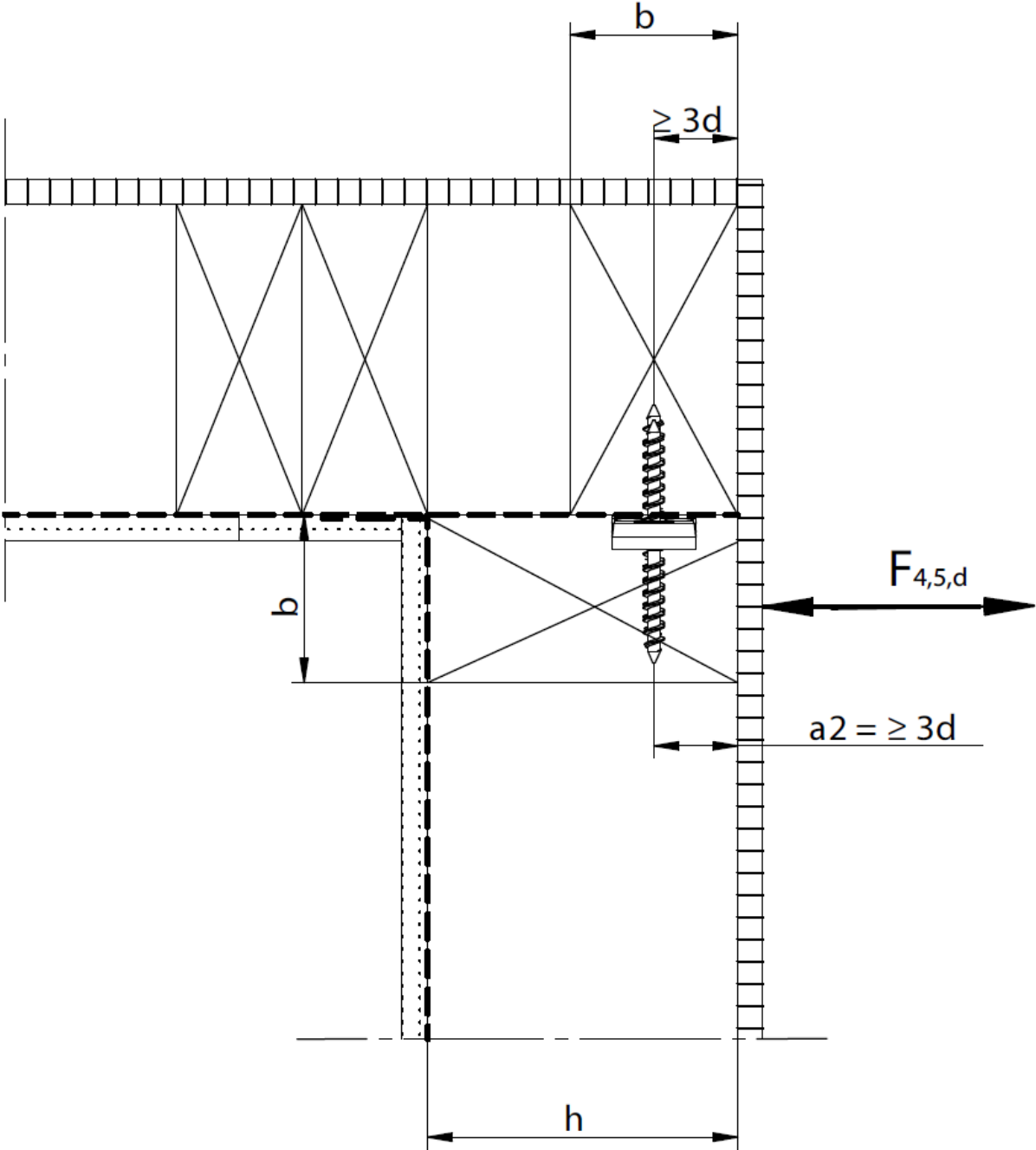
Wood to wood joint



4 CS 10x60

WALCO® Z40

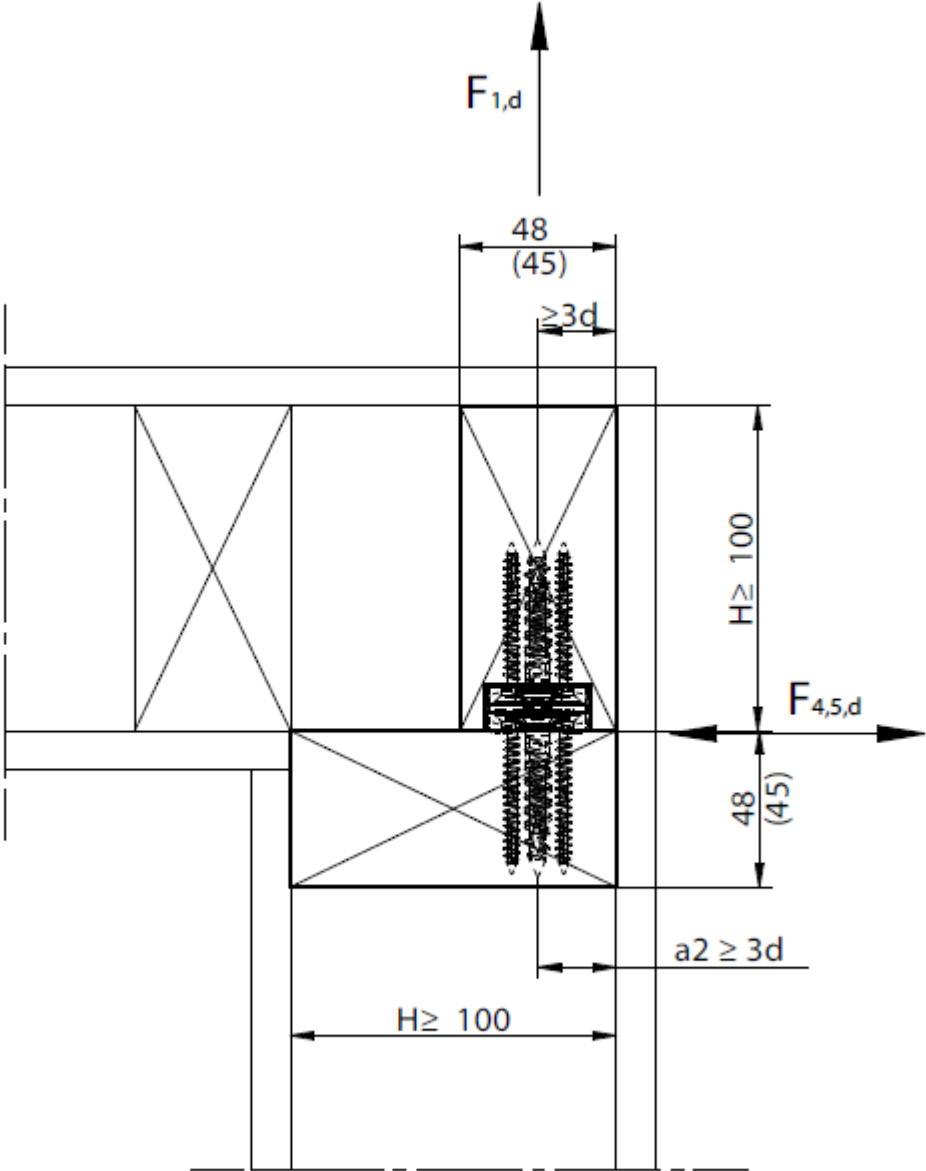
Load direction F_4 / F_5



4 CS 10x60

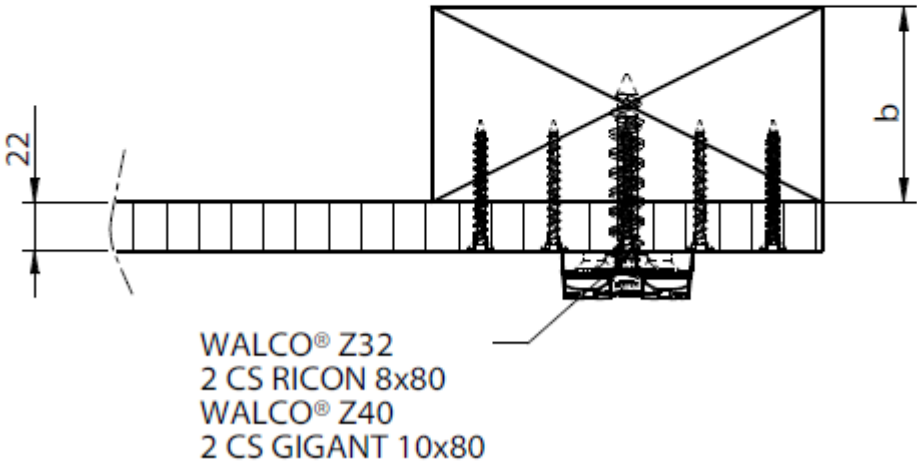
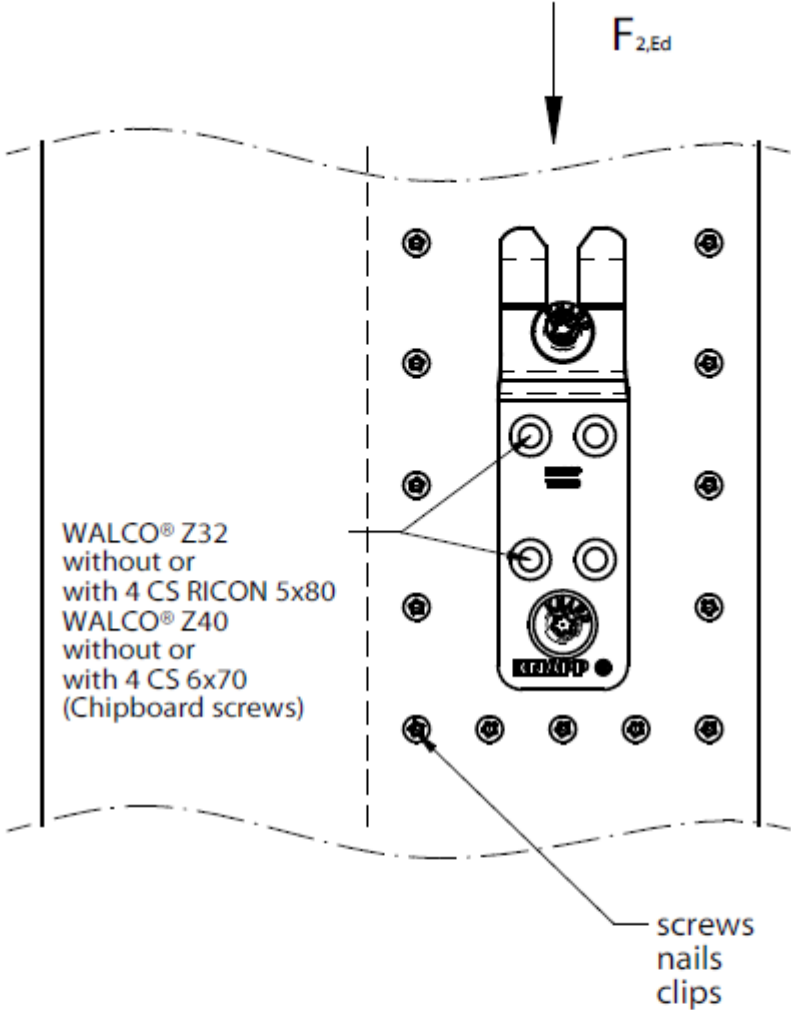
WALCO® Z32

Load direction $F_1, F_4 / F_5$



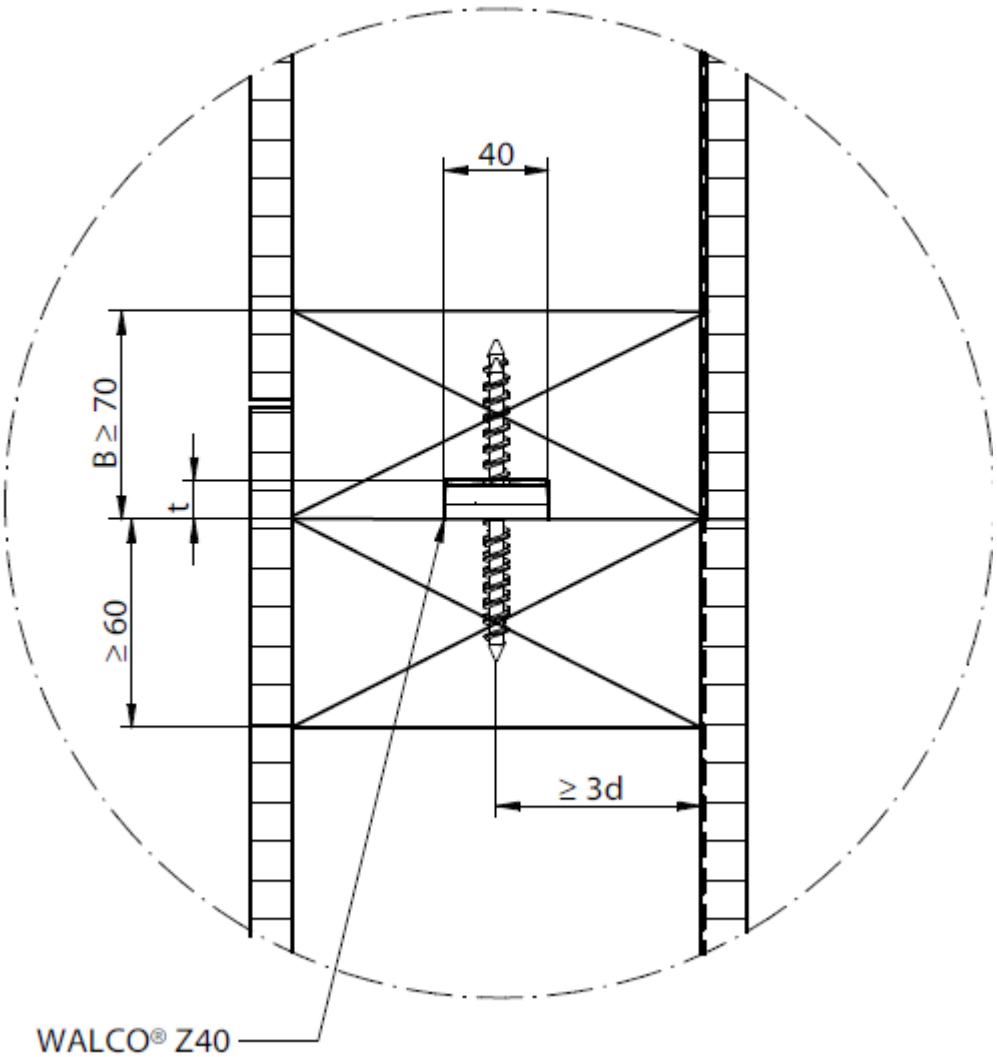
WALCO® Z32/ WALCO® Z40

Joint with OSB/3, OSB/4 and GFB interlayer



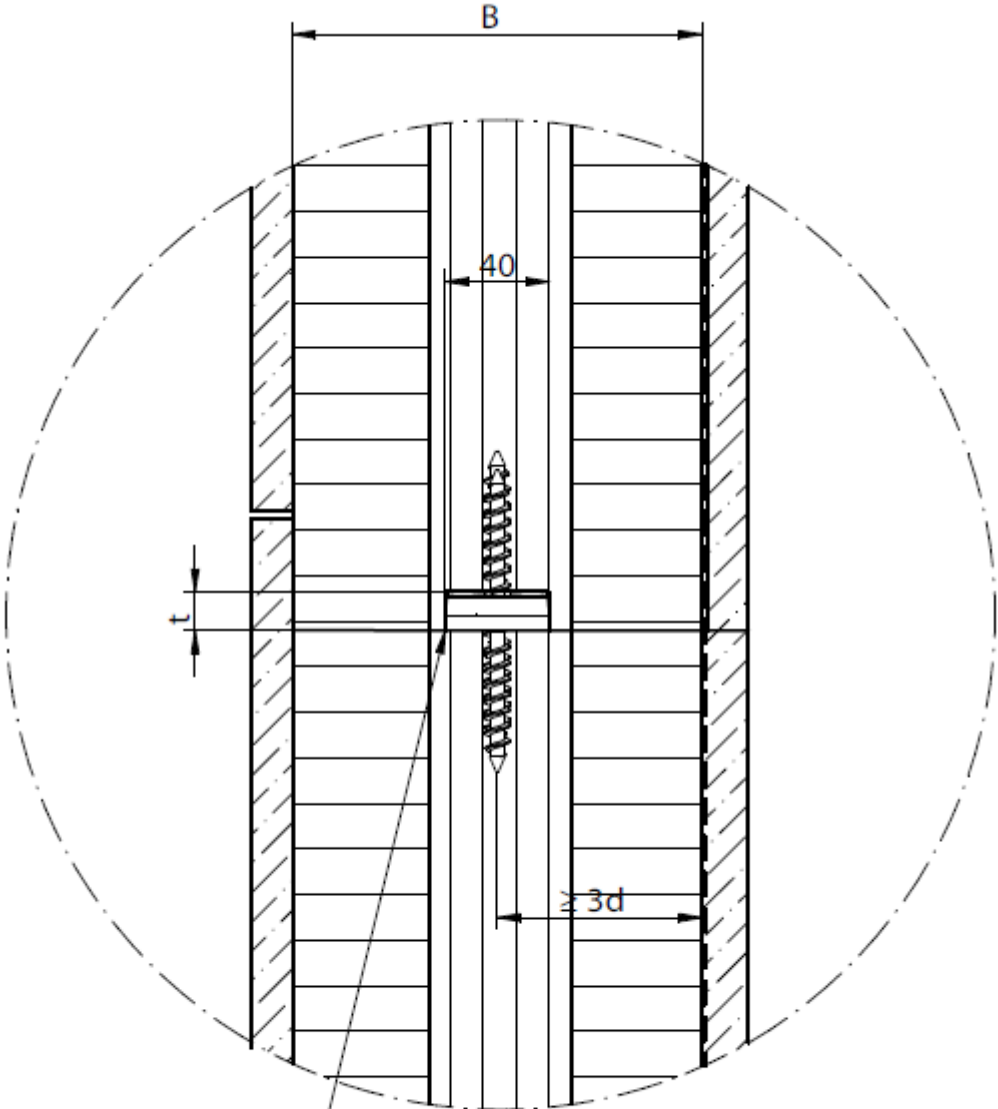
WALCO® Z40

Wall to wall joint with structural solid timber / glulam



WALCO® Z40

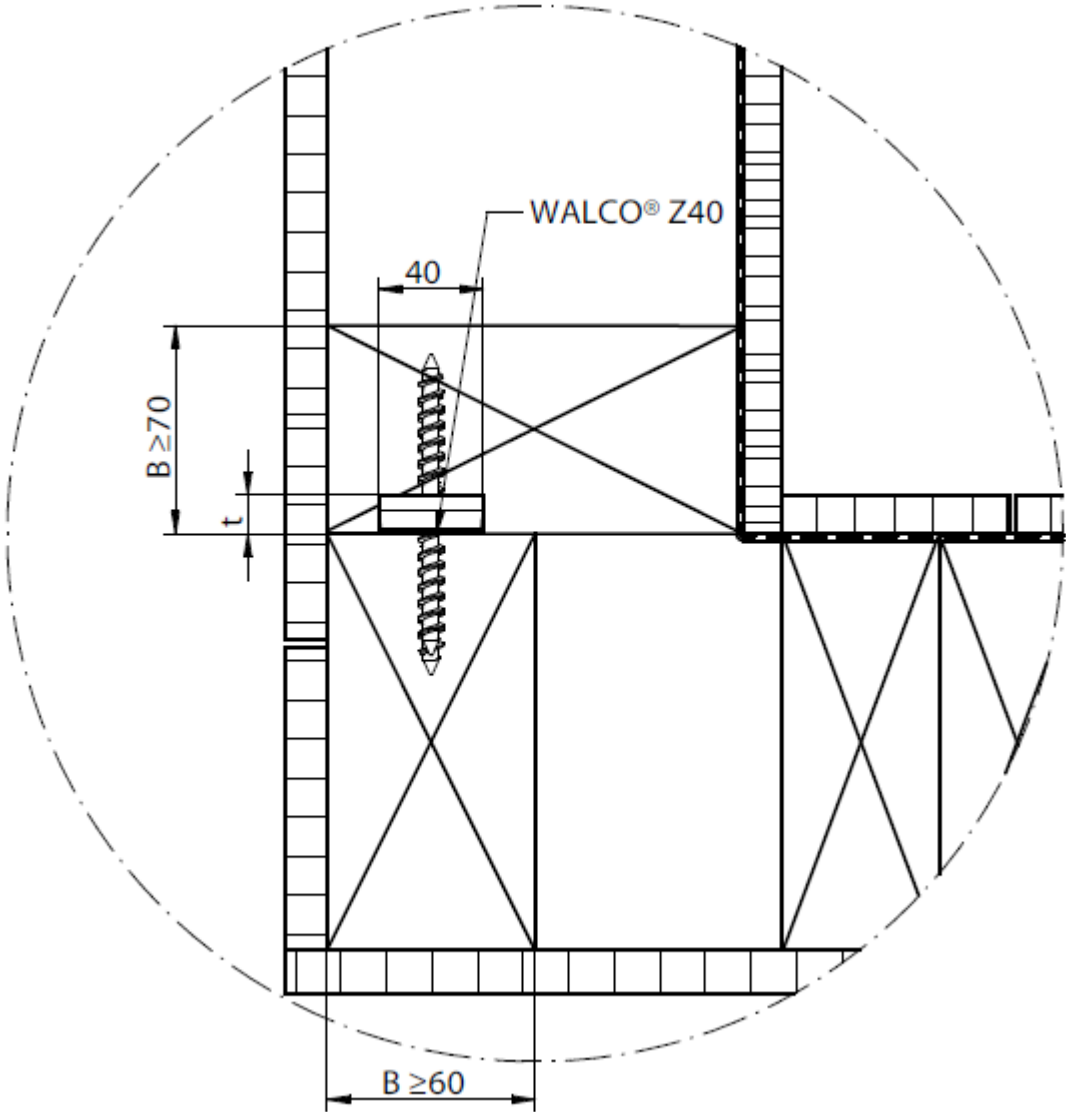
Wall to wall joint with CLT / similar structural glued products



WALCO® Z40
4 SK GIGANT 10 x 80

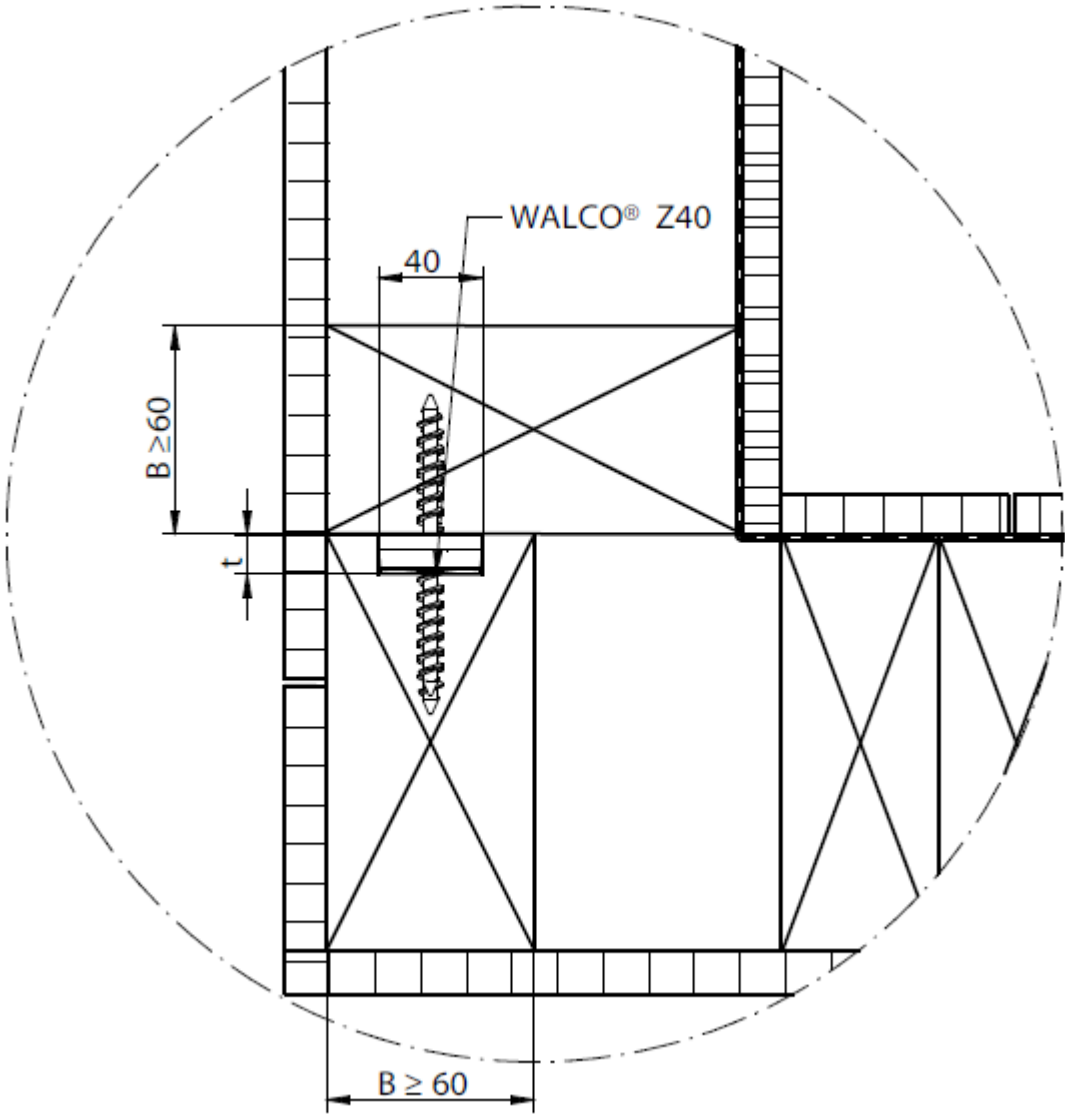
WALCO® Z40

Corner joint with structural solid timber / glulam



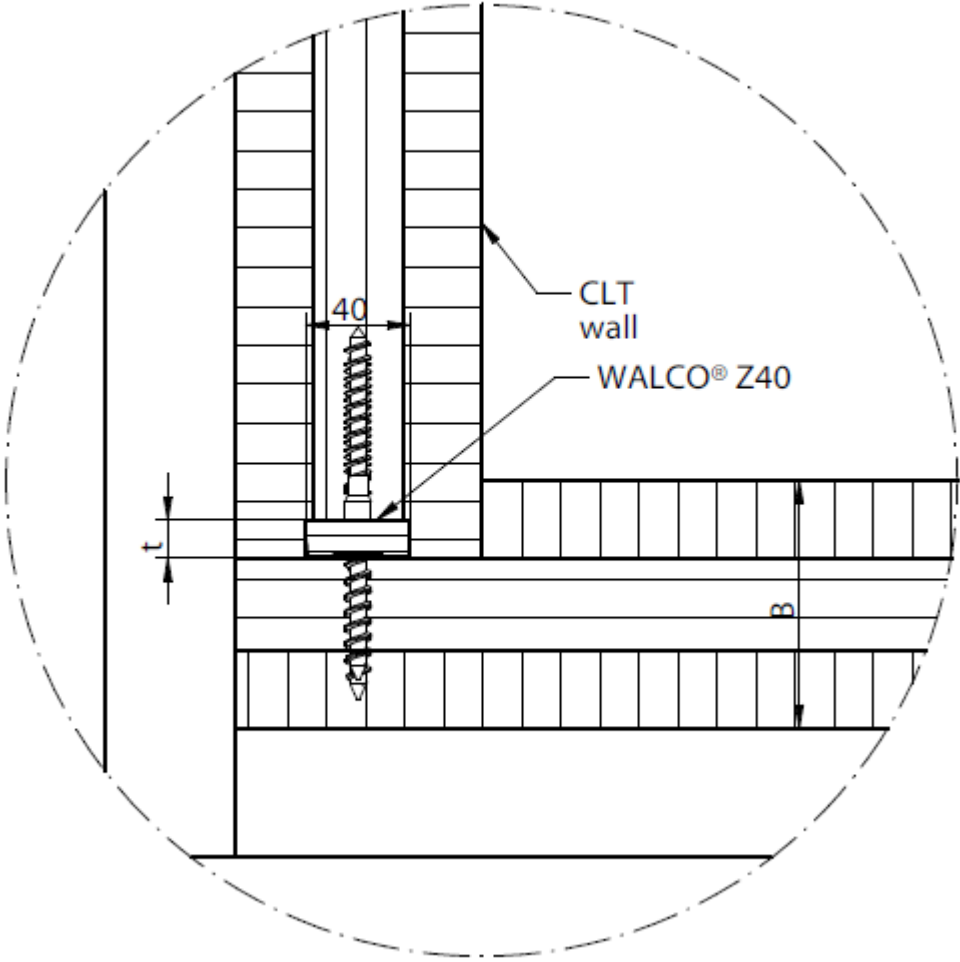
WALCO® Z40

Corner joint with structural solid timber / glulam



WALCO® Z40

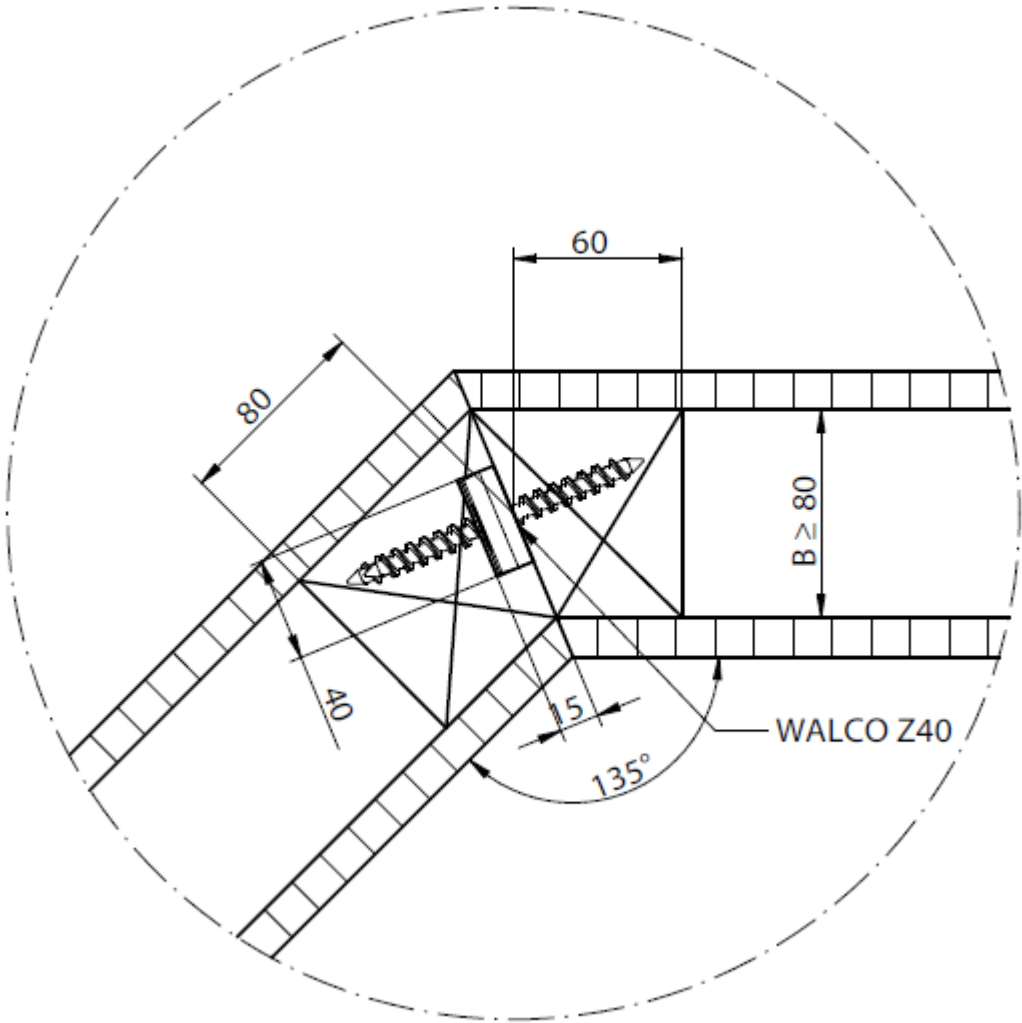
Corner joint with CLT / similar structural glued products



CS 10x60 for side grain
CS 10x80 for end grain (edge of CLT-wall)

WALCO® Z40

Tilted joint with structural solid timber / glulam



4 CS 10x60

WALCO® Z40

Tilted joint with CLT / similar structural glued products

