



NEW
PRODUCT

DEKCLICK

Clamp connector

Connecting Your Ideas ...

KNAPP[®]
connectors.com

DEKLICK clamp connector

For indoor and outdoor use - 2 versions, removable and hard to remove

DEKLICK – Solution for elegant walls and ceilings

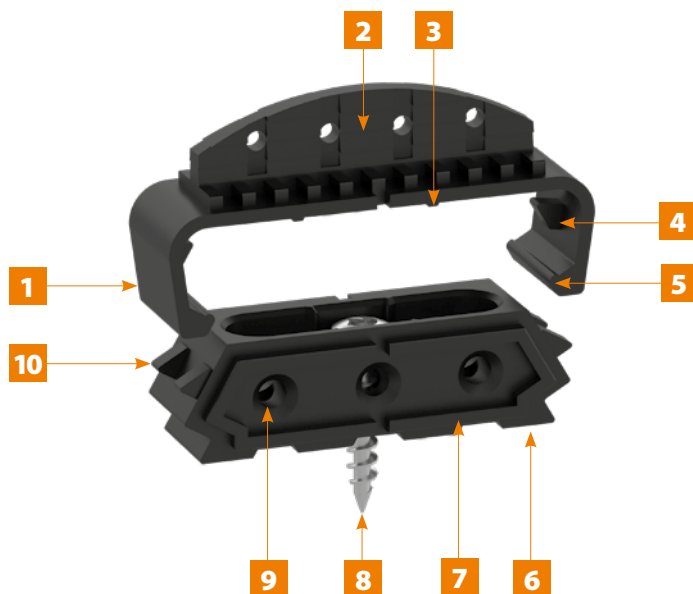
DEKLICK quickly and invisibly fastens acoustic panels, wall and ceiling cladding or decorative walls. The easy-to-assemble Knapp clamping connector also securely holds mouldings indoors or outdoors.

Ideal for prefabrication in the factory, it is installed invisibly on site and easily demounted if necessary.

For invisible fastening, DEKLICK joins a block or a milled wooden block rail as a base to the clamp, his counterpart.

This last one is simply clipped on and clamped tightly in two steps.

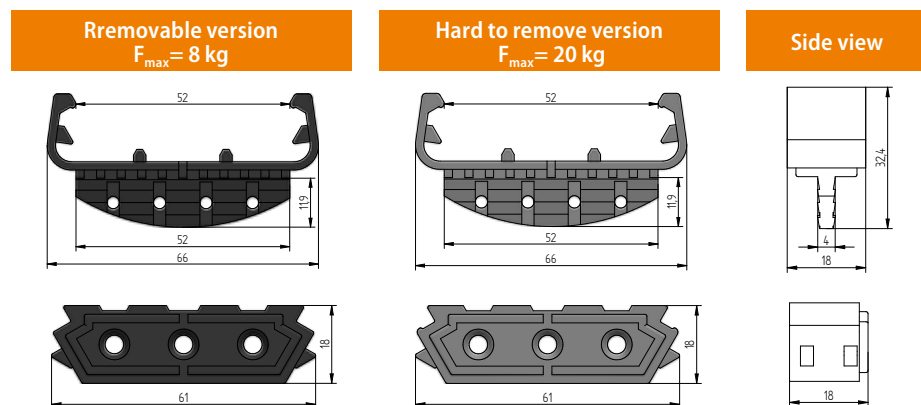
The block has both transverse and longitudinal holes, so that it meets the most diverse requirements for the screw connection and covers a wide range of tolerances. With a central screw connection in the longitudinal direction, the assembly is automatically aligned when the clamp is put on.



- 1** DEKLICK clamp (POM)
- 2** Lamellar bar for gluing
- 3** Positioning lug
- 4** Stop pin for transverse fixation
- 5** Clamp hook with clip function
- 6** DEKLICK block (Polyamid)
- 7** Block coupling profile
- 8** Fixing screw
- 9** Crosswise holes for screw connection
- 10** Stop and latching lugs

System advantages

- Quick clipping on - can be mounted vertically and horizontally
- Prefabrication and tool-free assembly
- Flexible joints design
- Concealed connection
- Variable assembly sequences
- Precise positioning
- Can be dismantled several times
- Functional and versatile



Instead of using the DEKLICK block a wooden milled block rail is an option (a suitable milling cutter is available). The bar is screwed onto the load-bearing structure and placed in position.

The clamps are easy and flexible to move along the length of the block bars and are perfectly adjustable. Assembly with block bars is ideal for large surfaces.

Applications:	For acoustic panels, decorative walls, floor fixings, wall and ceiling coverings, strips (indoor and outdoor).
Benefits:	For removable and hard to remove connection. Can be processed vertically or horizontally.
Material:	POM - acetal plastic (resilient) and polyamide (UV and weather resistant, recyclable).
Processing:	Cordless screwdriver, biscuit joiner, CNC, various milling machines, profile cutter for block moulding and decorative moulding.
Installation:	Position, screw (CS stainless steel screw 5 × 50 mm), clip on, glue (KNAPP adhesive PU +) and clip on.

Acoustic ceilings



Interior and exterior design plays a very important role in the architecture.

With DEKLICK, acoustic ceilings, wall claddings and even furniture become functional and attractive. Due to its versatility, DEKLICK offers countless assembly possibilities.

One click and the decorative element is invisibly and securely clipped onto the substructure.

Manufacturing is simple and can largely be pre-assembled in the factory.

Wall cladding and panelling



The substructure is assembled on site. After that the blocks or block rails are fastened to it.

The clamps are clipped onto the blocks. The milled groove of the decorative rails, on which to fix the clamps, is filled with the adhesive KNAPP® PU+. Finally the decorative rails are clipped onto the connector DEKLICK.

Once the adhesive (KNAPP®-KleberPU+) has cured, the decorative element is firmly fixed. However, if necessary, it can easily be removed and replaced.

Decorative walls and furniture



The DEKLICK connector is also ideal for furniture and interior fittings, since it requires no tools, and the assembly is easy to disassemble. It is easy to manufacture pre-assembled furniture parts and to demount them with the DEKLICK. In addition, the clamp connector is suited for quickly assembling of panels and wall coverings.

Just assemble the block, mill the groove for the clamp, fill it with KNAPP® PU+ adhesive, glue in the clamp and join the components together without tools. Ready!

The DEKLICK connector replaces the assembly rails and corner braces. It is weather-resistant and is an ideal solution when it comes to making modern and contemporary joints.

Installation with wooden block bar



1 Position the block and screw in place.



2 Clip the clamp on the block bar..



3 Mill a 4x12 mm groove and fill it with KNAPP® PU+ adhesive or apply the adhesive on the block rail. Fix the decorative moulding onto the block rail.

Installation with blocks



1 Position and fix the block into the base with screw.



2 Clip the clamp onto the block.



3 Mill a 2-level groove and fill it with KNAPP® PU+ adhesive or apply the adhesive on the block rail. Clip the workpiece onto the clamp.

Safety instructions:

If needed, use additional reinforcements for ceilings or wall panels. Mind the general building regulations to apply for your project.

DEKCLICK clamp connector

Application examples



Acoustic ceiling, training room, Knapp GmbH (Austria) | Design in white glazed fir with DEKCLICK clamp connector and beam with MEGANT® connector.

DEKCLICK (removable)

Art.-No. K010/S	DEKCLICK block (black)
Art.-No. K011/S	DEKCLICK clamp (black)
Art.-No. K010/SET black	DEKCLICK Set (black)

DEKCLICK (hard to remove)

Art.-No. K010/G	DEKCLICK bloc (grey)
Art.-No. K011/G	DEKCLICK clamp (grey)
Art.-No. K010/SET grey	DEKCLICK Set (grey)

DEKCLICK is available in single pieces or in packaging units of 250. and 500 pcs.

DEKCLICK Accessories and related products

Art.-No. Z950	A2 stainless steel screw RICON® 5x50 mm (other lengths available on our website)
Art.-No. Z409	A2 stainless steel screw 4.5x35 mm with drilling tip (also for Z-DECK, KOMBI and DEKCLICK)
Art.-No. Z896	Square nut M6, galvanised
Art.-No. Z411	Torx Bit T15 with long shaft
Art.-No. Z011	KNAPP® PU+ adhesive (polyurethane)
Art.-No. K658	Milling cutter DEKCLICK
Art.-No. Z894	Cutting head for DEKCLICK H 20/4 with Ø 30 mm borehole (Ø 40 et Ø 50). Upon request



DEKCLICK Box Art.-No. K010/BOX

- 50 DEKCLICK blocks (black)
- 50 DEKCLICK blocks (grey)
- 50 DEKCLICK clamps (black)
- 50 DEKCLICK clamps (grey)
- 100 A2 stainless steel screw 5x50 mm
- 300 A2 stainless steel screw 4,5x35 mm

- 100 square nuts M6
- 1 Torx bit T15 with long shaft
- 1 Torx bit T25
- 1 KNAPP® PU+ adhesive
- 1 DEKCLICK wood sample



PRODUCT

DEKCLICK has a patent pending.

Knapp GmbH | Wassergasse 31 | A-3324 Euratsfeld | Tel.: +43 (0)7474 / 799 10 | Fax: +43 (0)7474 / 799 10 99

Knapp GmbH | Vertrieb Deutschland | Föhrenweg 1 | D-85591 Vaterstetten
Tel.: +49 (0)8106 / 99 55 99 0 | Fax: +49 (0)8106 / 99 55 99 20 | E-Mail: info@knapp-verbinder.com

www.knapp-connectors.com/en



KNAPP®
connectors.com