

Universal Milling Cutter for FIXclip-Profile System GLE18 / GLE20 / GLE20 Plus and FIXclip GLE20 Plus

Instruction Milling Cutter for FIXclip-System

FIXclip-Systems are fastening, glazing and sealing in one for wood alu fixed glazing and lift-and-slide doors.

GLE20 Milling Cutter GLE18 Milling Cutter

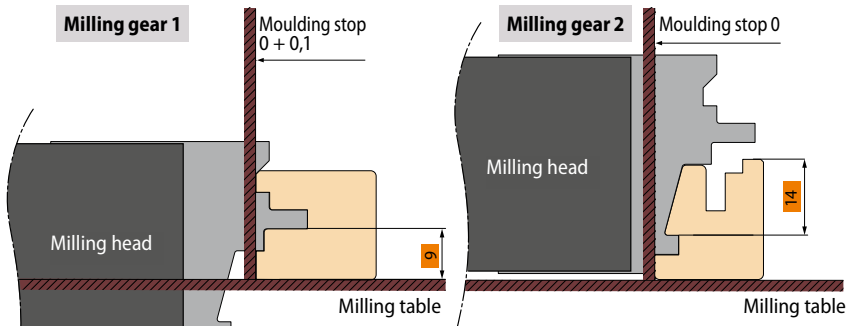
Milling head with cutter
FIXclip-Profile GLE20, GLE20 Plus
and FIXclip GLE20 Plus
Art.-Nr. K656

Milling head with cutter
FIXclip-Profile GLE18
Art.-Nr. K655

Skid depth gage set made of carbide available upon request.

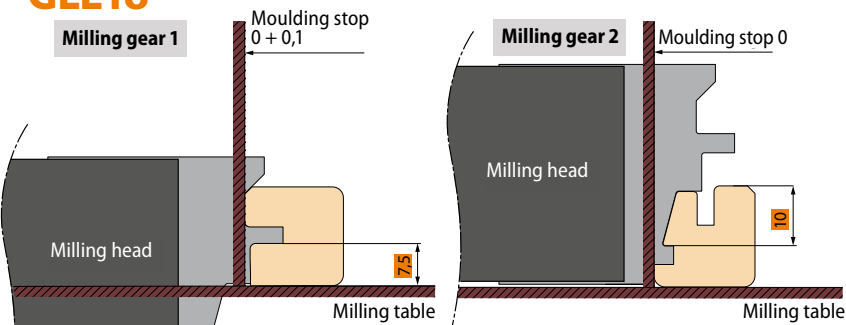


GLE20 & GLE20 Plus



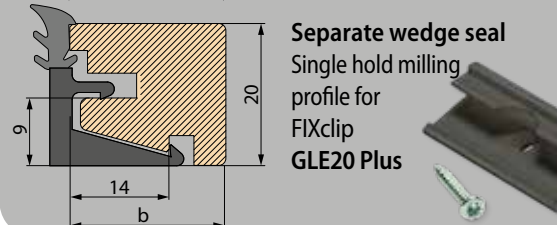
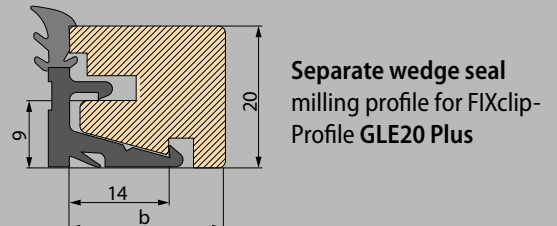
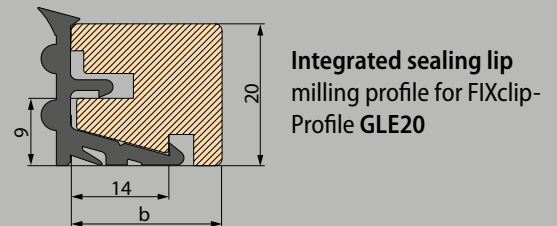
Adjustment dimensions **9 mm** (Milling gear 1) and **14 mm** (Milling gear 2).
After milling gear 2, check clip function.

GLE18

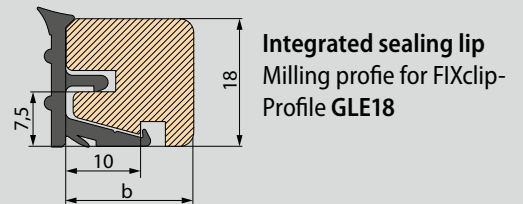


Adjustment dimensions **7,5 mm** (Milling gear 1) and **10 mm** (Milling gear 2).
After milling gear 2, check clip function.

GLE20 - b 20 - 40 mm



GLE18 - b 18 - 40 mm



GLE18



GLE20 / GLE20 Plus

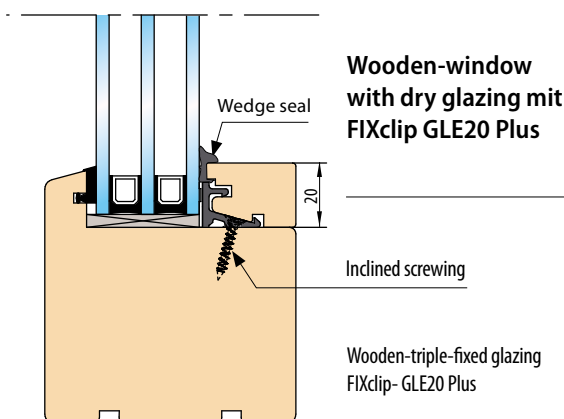
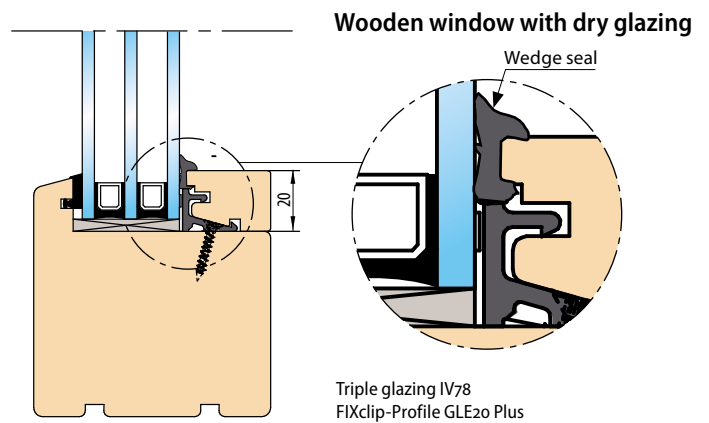
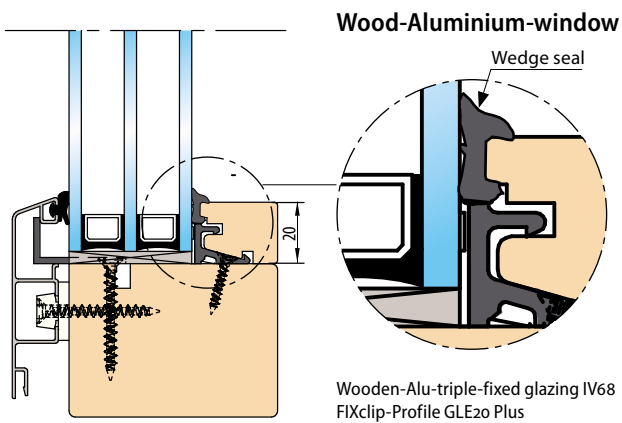
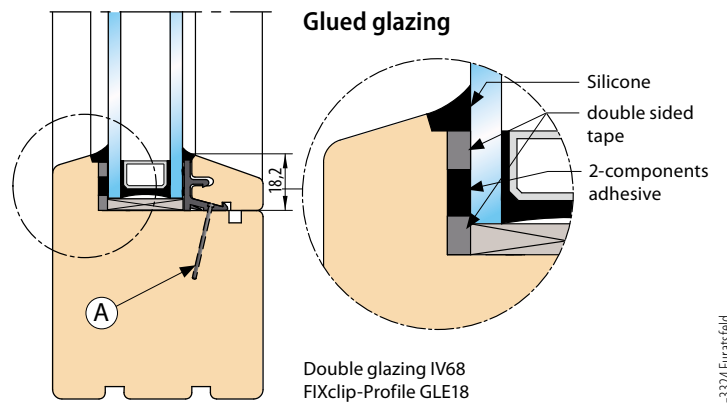
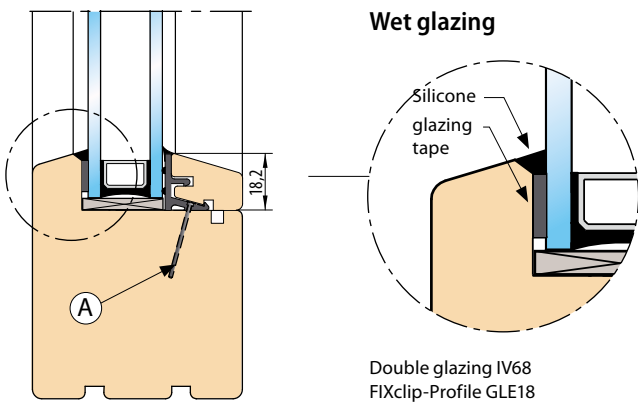
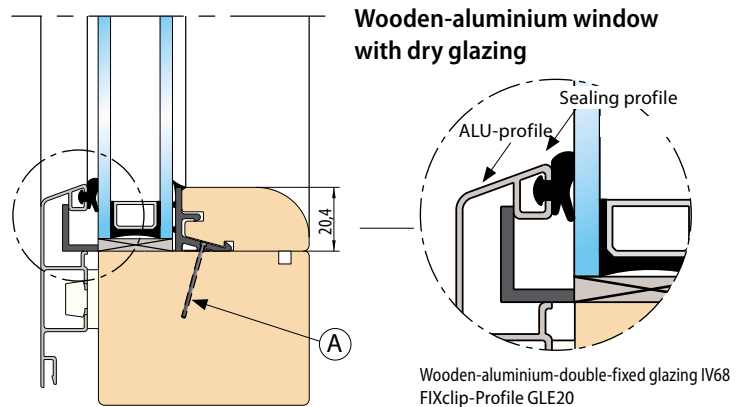
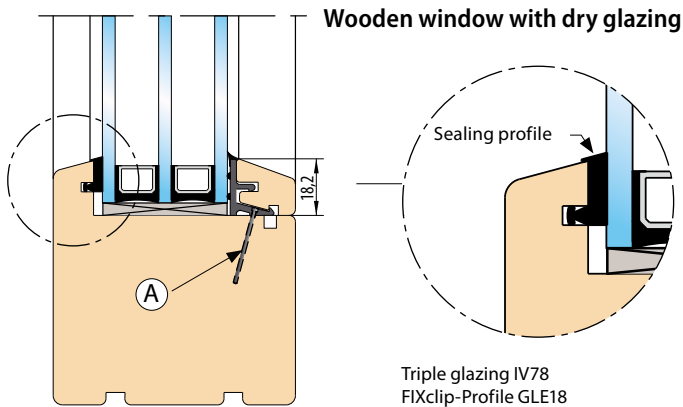
Milling the glazing stop with universal milling head for each milling cutter. For profile machines, we recommend milling cutters from Zuani.
All adjustment dimensions must be checked to ensure proper fixing of the glazing stop.

Further information on: <http://www.knapp-connectors.com/fixclip>

FIXclip-System

Installing options

Completely concealed glazing bead fixture for interior. Flexible use for dry glazing, woodaluminum fixed glazing, wet glazing and glued glazing.



A Fixing with wire nails 1,2x25 mm or CS-screw 3x20 mm

When screwing, resistance category RC1 and RC2, see DIN EN 1627, can be achieved (must be proved by a separate test of the element).



Check out our doors and windows brochure, construction manuals, .DXF-drawings for FIXclip-Profile and FIXclip GLE20 Plus and find Your personal representative on our website.