

**NEW
PRODUCT**

MATEO Timber Peg

Stepped Dowel made of hardwood

KNAPP[®]
connectors.com



Solid connection made of timber holding up to 1 ton



Connect with a few hammer blows.

www.knapp-connectors.com

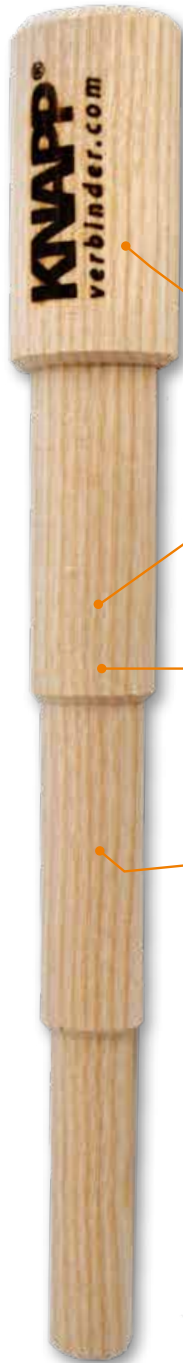
More information:

☎ A +43 (0)7474 / 799 10 ☎ D +49 (0)8106 / 99 55 99 0 ✉ info@knapp-connectors.com

© Photos: D. Lengauer, Lengauer GmbH



MATEO Timber Peg | Wooden connector for traditional timber construction with a couple of hammer blows.



round Nail head

Stepped shafts

turned

Hard wood

Benefits:

- | Wood-wood connection - ecological and proven
- | Simple processing
- | Pre-drilling in the factory or on the construction site
- | Self-tightening
- | Traditional design
- | Metal-free connection
- | Predictable fire resistance
- | Self centering - easy to insert due to stepped design

Applications

Rustic design stepped peg made of solid hardwood to connect timber components.

Beam layers, main beams and secondary beams.

Posts, frames and CLT walls for corner and T-joints.

Features

The turned MATEO Timber Peg is available in ash (Art. No. K304) and Beech (Art. No. K303).

Ash: Tough and ductile (malleable) load capacity up to 0.8 tons (transverse to grain direction F1).

Beech: load capacity up to 1 ton (see table on next page).

Dimensionally stable at 7-8 % wood moisture content.

After installing, the peg swells and holds the building components securely together. Glued with waterproof adhesive, achieves higher pull-out values and the joint is additionally secured.

Installation



Drilling with stepped drill bit manual or with CNC.



Insert up to the last step (nail head)

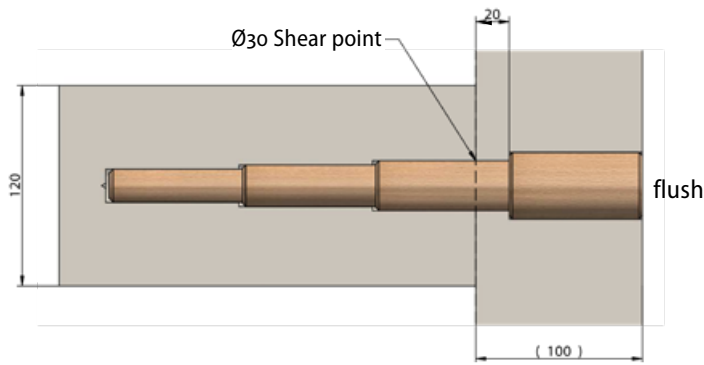


Insert with hammer.

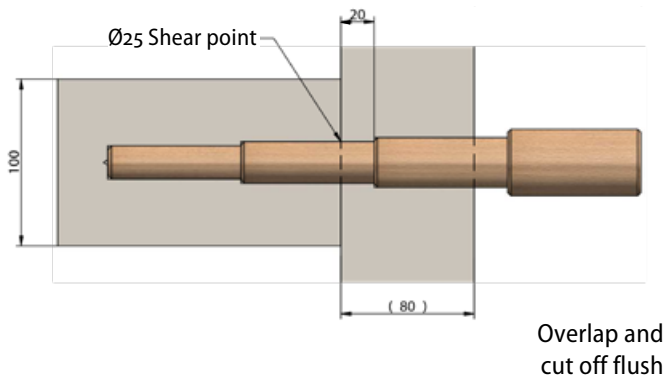


Cut off the excess sand smooth.

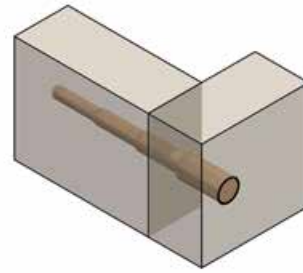
4 step installation



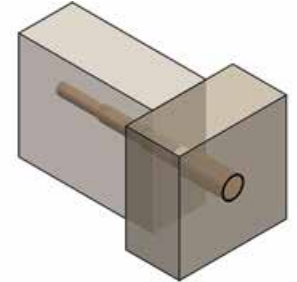
3 step installation



Joint variations



Corner connection

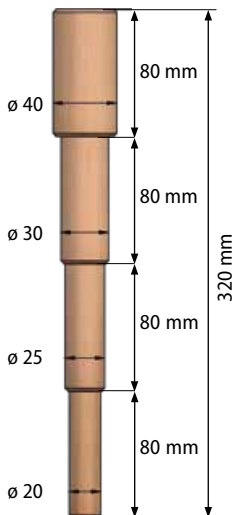


Slip joint



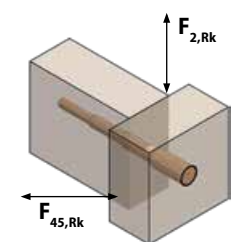
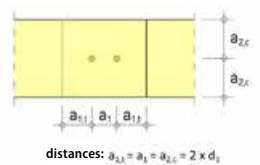
T Joint

Dimensions



Load values MATEO Timber Peg

Type of wood	Peg species	Ø d ₁ Shear point [mm]	F _{2,Rk} [kN]	Min. timber thickness [mm]	Ø d ₁ Shear point [mm]	F _{2,Rk} [kN]	Min. timber thickness [mm]
C24	Ash	30	9,8	80	25	7,0	70
	Beech	30	10,5	100	25	7,6	70
GL24 h	Ash	30	10,3	80	25	7,4	70
	Beech	30	11,0	100	25	7,9	70
BSPH	Ash	30	11,4	70	25	8,2	60
	Beech	30	12,2	80	25	8,8	60



The F_{45,Rk} depends on the width of the secondary beam and can also be small with a smaller width.

Source of the calculation formulas: Blaß, H.J.; Ernst, H.; Werner, H. „compounds with wooden pegs - Investigations on the load-bearing capacity“ p.630-631

SPECIAL OFFER

MATEO Timber Peg

Stepped Dowel made of hardwood

KNAPP®
connectors.com



MATEO Timber Peg
Beech
(Art. No. K303)



MATEO Timber Peg
Ash
(Art. No. K304)



Stepped drill HS
with 16 mm shank
(Art. No. Z093)

Special offer

Art. No.	Product	Quantity	PU	Price before tax	Per pc.
K303	MATEO MATEO Timber Peg, Beech L 320 (ø40 ø30 ø25 ø20)	12 pcs.	1	42,00 €	3,50 €
		60 pcs.	1	198,00 €	3,30 €
		120 pcs.	1	378,00 €	3,15 €
K304	MATEO MATEO Timber Peg, Ash L 320 (ø40 ø30 ø25 ø20)	12 pcs.	1	44,40 €	3,70 €
		60 pcs.	1	210,60 €	3,51 €
		120 pcs.	1	399,60 €	3,33 €
Z093	Stepped drill (16 mm shaft)	1 pcs.	1	249,00 €	
Z011	KNAPP®- Adhesive PU+	1 pcs.	1	7,95 €	

Stepped drill: other shank sizes available upon request.
Individual wood types available upon request.

Promotion valid while supplies last.



Knapp GmbH | Wassergasse 31 | A-3324 Euratsfeld | Tel.: +43 (0)7474 / 799 10 | Fax: +43 (0)7474 / 799 10 99

Knapp GmbH | Föhrenweg 1 | D-85591 Vaterstetten
Tel.: +49 (0)8106 / 99 55 99 0 | Fax: +49 (0)8106 / 99 55 99 20 | E-Mail: info@knapp-verbinder.com

www.knapp-connectors.com

/knappverbinder

Knapp GmbH | @knappverbinder



24/7
online-store